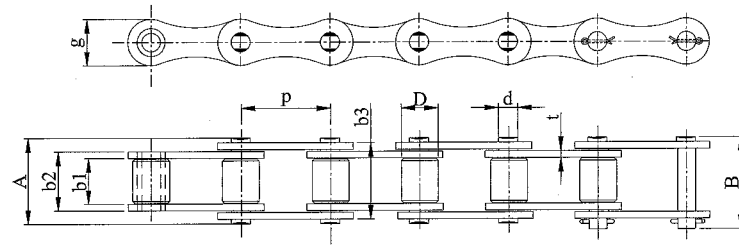


AGRICULTURAL ROLLER CHAINS

EUROPEAN STANDARD

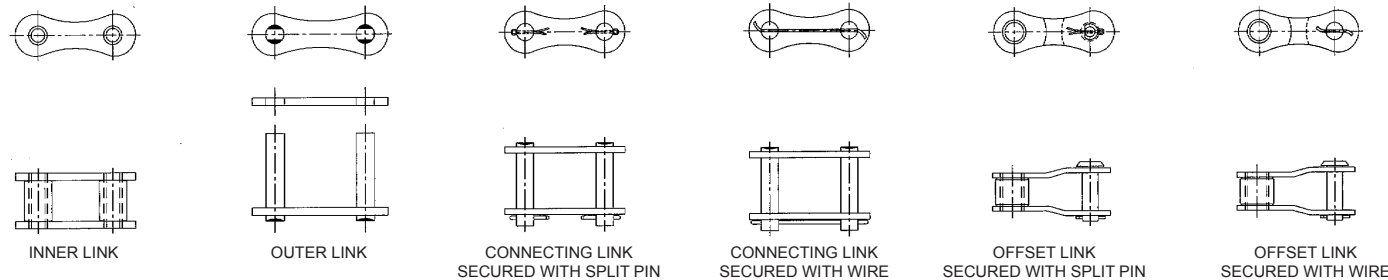


ISO 487/DIN 8189

EUROPEAN STANDARD

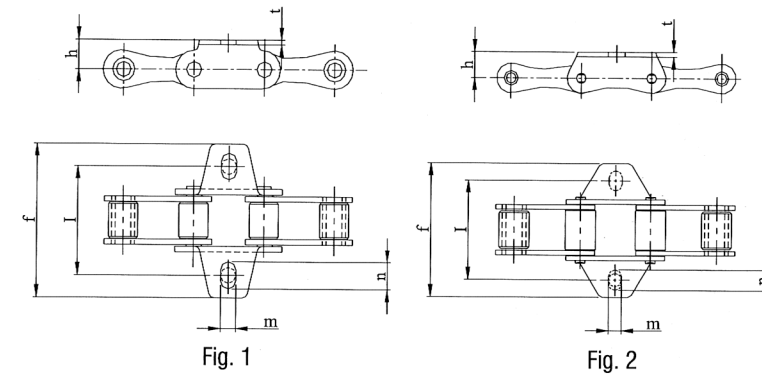
Intl. Ref. No.	Ametric® Chain No.	Pitch P	Width between Inner Plates b1 (Min)	Roller Dia. D (Max)	Width over Inner Plates b2 (Max)	Width over Outer Plates b3 (Max)	Bearing Pin Dia. d (Max)	Width over Bearing Pin A (Max)	Width over Joint Fastener B (Max)	Plate Height g (Max)	Link Plate Thickness t (Nom)	Bearing Area (sq. cm.)	Average Weight per Metre (kg)	Tensile Strength	
														Min (N)	Avg (N)
S32	729.1	29.21	15.88	11.43	20.19	24.30	4.45	26.70	29.30	13.30	1.75	0.90	0.76	8000	19800
S42	735.1	34.93	19.05	14.27	25.40	31.20	7.01	34.20	36.20	19.70	2.60	1.78	1.61	27000	44250
S45	741.1	41.40	22.23	15.24	28.50	34.50	5.72	38.10	40.70	17.20	2.60	1.64	1.46	18000	33500
S52	738.1	38.10	22.23	15.24	28.50	34.50	5.72	38.10	40.70	17.20	2.60	1.64	1.56	18000	33500
S55	741.3	41.40	22.23	17.78	28.50	34.50	5.72	40.60	40.70	17.20	2.60	1.64	1.65	18000	33500
S62	741.6	41.91	25.40	19.05	31.70	37.60	5.72	40.55	43.20	17.20	2.60	1.82	1.87	27000	34500
S77	758.1	58.34	22.23	18.26	30.90	40.05	8.92	43.90	48.40	26.20	4.00	2.78	2.57	45000	71000
S88	766.1	66.27	28.58	22.86	37.52	46.35	8.92	50.80	54.80	26.20	4.00	3.35	3.26	45000	71000

Bush chain also available.



AGRICULTURAL ROLLER CHAINS

EUROPEAN STANDARD

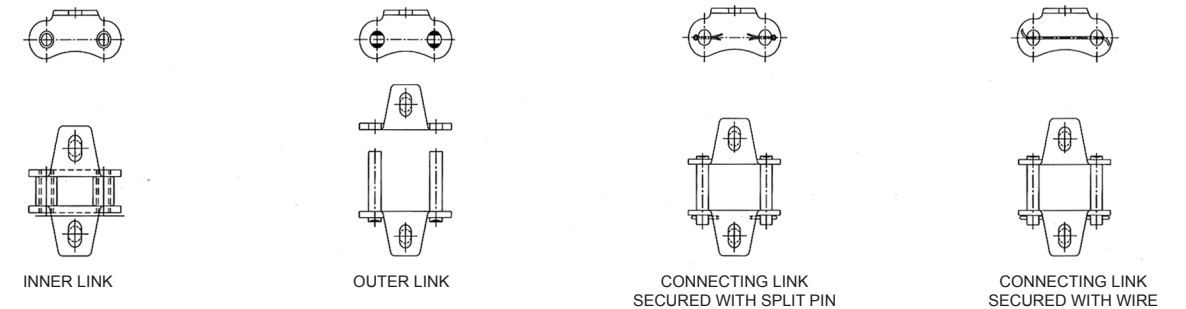


ISO 487/DIN 8189

'K' ATTACHMENTS

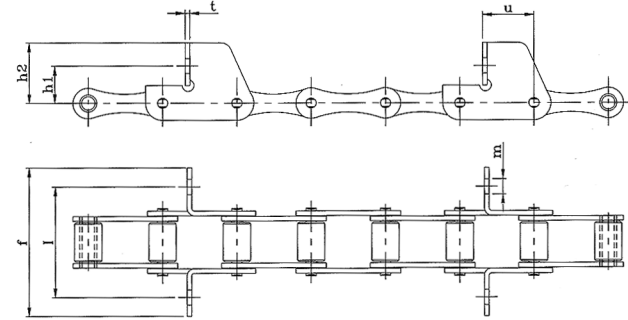
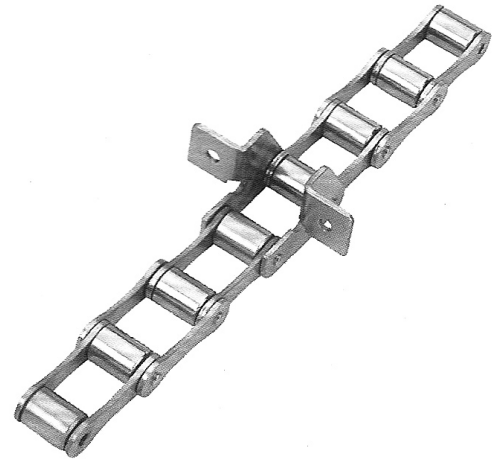
Chain No.	Ametric® Att. No.	Attachments		Dimensions						Fig. No.
		Outer	Inner	i	f	m	n	h	t	
S32 / 729.1	K1	✓	✓	42.90	60.50	5.30	-	8.70	1.75	1
	K3	✓		42.90	60.50	6.50	8.00	8.70	1.75	1
	K4	✓	✓	42.90	64.50	5.00	6.50	8.70	1.75	1
	K5	✓		42.90	60.50	5.50	8.00	8.70	1.75	1
S42 / 735.1	K3	✓	✓	54.00	74.90	8.30	11.50	14.00	2.60	1
S45 / 55 741.1 / 741.3	K1	✓		55.00	74.20	8.50	-	11.50	2.60	2
	K2	✓		51.00	74.20	7.20	-	11.50	2.60	1
	K3	✓	✓	54.00	74.20	8.30	11.50	11.40	2.60	1
	K4	✓	✓	54.00	74.20	6.60	9.80	11.50	2.60	1
	K5	✓		59.80	75.20	9.0 Sq.	-	11.50	2.60	1
S52 / 738.1	K7	✓		56.00	74.20	10.00	-	11.50	2.60	1
	K1	✓	✓	58.80	76.60	7.20	-	11.50	2.60	1
	K2	✓		58.80	76.60	8.50	-	11.50	2.60	1
	K3	✓		58.80	76.60	6.60	8.20	11.50	2.60	1
	K4	✓	✓	58.80	76.60	8.40	10.00	11.50	2.60	1
S52 / 738.1	K5	✓		58.80	76.60	8.40	-	11.50	2.60	1
	K3	✓	✓	66.65	95.30	8.30	14.70	11.40	2.60	1
	K4	✓	✓	66.65	95.30	6.65	13.05	11.40	2.60	1
	K5	✓		66.65	95.30	8.30	14.70	11.40	2.60	2
S62 / 741.6	K7	✓		66.65	95.30	8.30	-	11.40	2.60	1
	K3	✓	✓	76.20	101.60	8.60	12.70	20.80	4.00	1
S88 / 766.1	K3	✓	✓	96.80	119.40	8.60	11.20	20.80	4.00	1

'M' Attachments are also available.



AGRICULTURAL ROLLER CHAINS

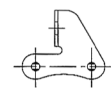
EUROPEAN STANDARD



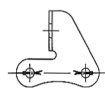
ISO 487/DIN 8189

ELEVATOR ATTACHMENTS

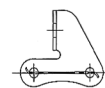
Chain No.	Ametric® Att. No.	Attachments		Dimensions							Fig. No.
		Outer	Inner	i	f	m	h1	h2	u	t	
S32 / 729.1	A	✓		57.90	76.90	6.60	20.00	29.50	19.20	1.75	1
	B	✓		57.90	76.90	4.76	20.00	29.50	19.20	1.75	1
S45 / 55 741.1 / 741.3	A	✓		62.40	82.40	8.50	21.00	33.70	28.60	2.60	2
	B	✓		61.30	82.40	8.40	16.50	33.70	28.60	2.60	2
	C	✓		58.00	82.40	6.50	21.00	33.70	28.60	2.60	2
	D		✓	55.00	67.00	6.30	15.00	33.70	22.00	2.60	2
	E	✓		61.30	82.40	8.40	16.50	25.00	28.60	2.60	2
	F	✓		47.60	69.60	8.30	31.00	42.90	37.70	2.60	3
	G	✓		58.00	82.40	5.50	16.00	25.00	28.60	2.60	2
	H	✓		62.00	82.40	6.50	19.00	33.70	28.60	2.60	2
	I		✓	61.80	91.60	8.30	12.70	28.50	23.60	2.60	4
	J	✓		58.00	82.40	6.50	16.00	25.00	28.60	2.60	2
S52 / 738.1	A	✓		62.00	81.50	6.40	20.00	29.50	19.20	2.60	5



OUTER LINK



CONNECTING LINK
SECURED WITH SPLIT PIN



CONNECTING LINK
SECURED WITH WIRE

AGRICULTURAL ROLLER CHAINS

EUROPEAN STANDARD

ELEVATOR ATTACHMENTS

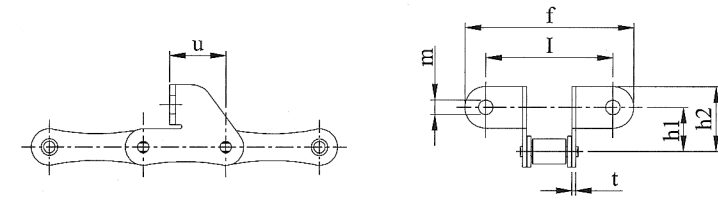


Fig. 1

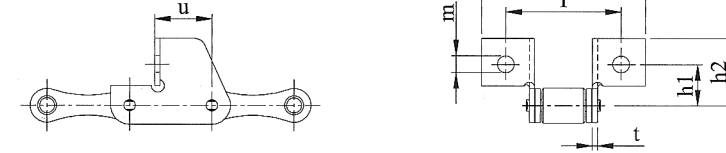


Fig. 2

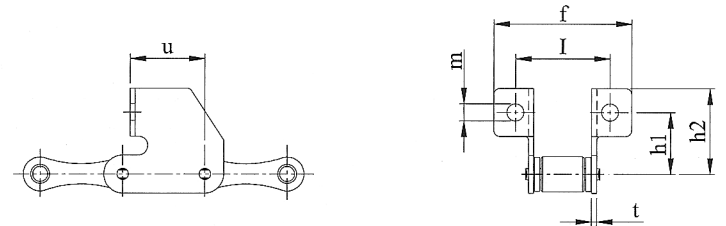


Fig. 3

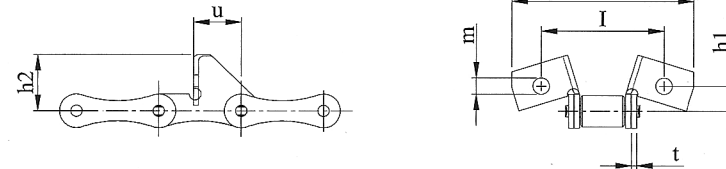


Fig. 4

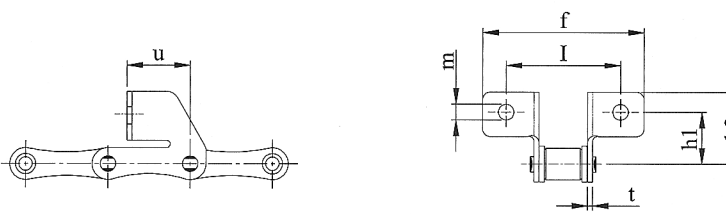
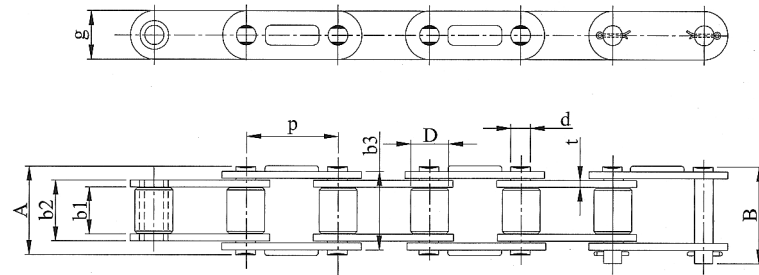
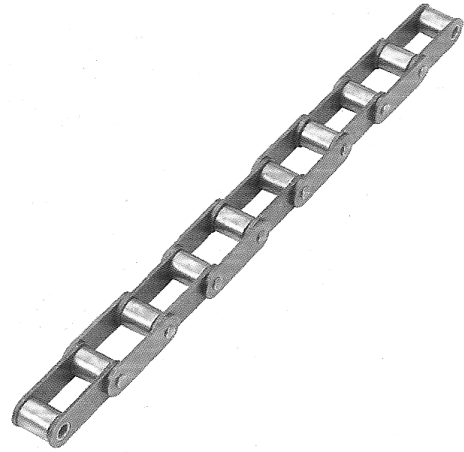


Fig. 5

AGRICULTURAL ROLLER CHAINS

AMERICAN STANDARD

ISO 487/DIN 8189/ASME B29.19M



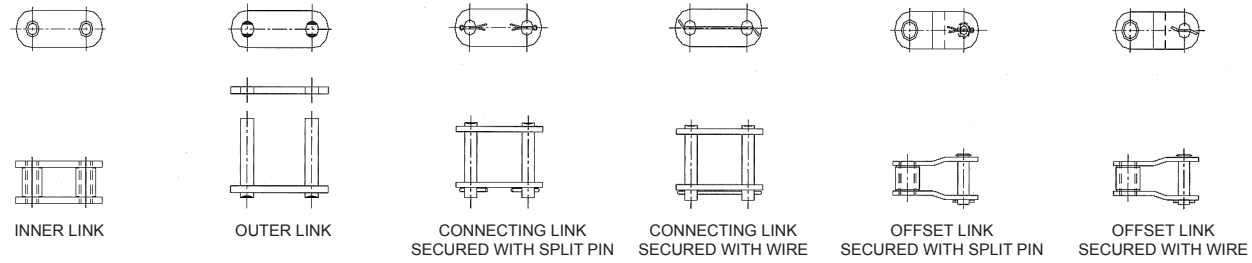
AMERICAN STANDARD

Intl. Ref. No. Ametric® Chain No.	Pitch P	Width between Inner Plates b1 (Min)	Roller Dia. D (Max)	Width over Inner Plates b2 (Max)	Width over Outer Plates b3 (Max)	Bearing Pin Dia. d (Max)	Width over Bearing Pin A (Max)	Width over Joint Fastener B (Max)	Plate Height g (Max)	Link Plate Thickness t (Nom)	Bearing Area (sq. cm)	Average Weight per Metre (kg)	Tensile Strength	
													Min (N)	Avg (N)
CA2060**	38.10	12.57	11.91	19.45	26.20	5.94	29.20	30.80	18.20	3.05	1.16	1.50	31300	37000
CA550**	41.40	19.81	16.87	25.70	31.70	7.19	35.60	38.20	19.20	2.60	1.87	1.85	40000	43500
CA555**	41.40	12.70	16.87	19.20	26.20	7.19	28.70	32.15	19.20	2.90	1.37	1.65	40000	43500
CA557	41.40	19.05	17.75	25.85	32.90	7.92	36.00	39.00	22.20	3.15	1.87	2.37	51700	63700
CA620**	42.01	25.00	17.68	31.70	38.60	7.19	41.70	46.80	19.20	3.15	2.27	2.35	46000	57000
A550*	41.40	19.81	16.87	25.70	31.70	7.19	35.60	38.20	19.20	2.60	1.87	1.77	40000	43500
A557*	41.40	19.05	17.75	25.85	32.90	7.92	36.00	39.00	22.20	3.15	1.87	2.29	51700	63700
A620*	42.01	25.00	17.68	31.70	38.60	7.19	41.70	46.80	19.20	3.15	2.27	2.31	46000	57000

* Eight contour chain

** Bush chain also available.

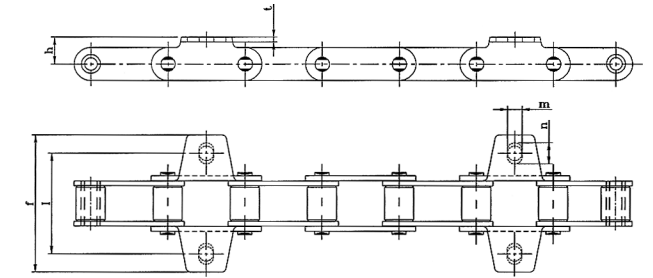
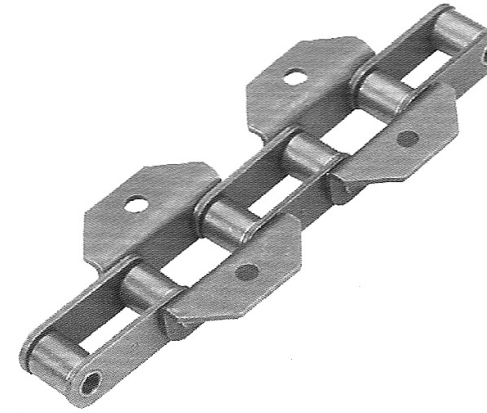
Note: embossed outer plate only for corn (maize) chain.



AGRICULTURAL ROLLER CHAINS

AMERICAN STANDARD

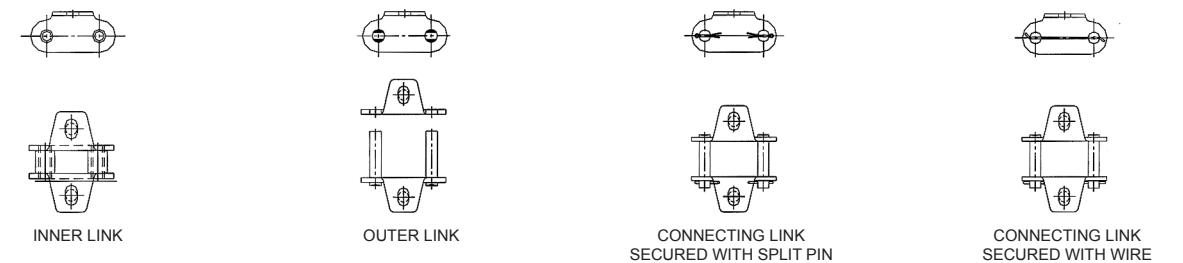
ISO 487/DIN 8189/ASME B29.19M



'K' ATTACHMENTS

Chain No.	Ametric® Att. No.	Attachments		Dimensions						Fig. No.
		Outer	Inner	i	f	m	n	h	t	
CA550	K1	✓	✓	54.00	75.60	8.30	-	12.70	2.60	1
	K2	✓		50.80	75.60	8.30	-	12.70	2.60	1
	K3	✓	✓	50.80	75.60	8.30	11.50	12.70	2.60	1
	K5	✓		59.80	75.60	9.00 Sq.	-	12.70	2.60	1
	K6	✓		50.80	72.00	9.90	-	12.70	2.60	2
	K7	✓		54.00	75.60	8.50	-	12.70	2.60	3
	K8	✓	✓	50.80	75.60	6.75	-	12.70	2.60	1
	K9	✓		50.80	68.50	8.30	-	14.70	2.60	1
	KA	✓		50.80	72.00	8.50	-	12.70	2.60	2
	KB	✓		58.00	82.00	8.50	10.00	12.00	2.60	4
CA557	KC	✓		50.80	75.60	8.75	-	12.70	2.60	1
	KD	✓		74.60	105.60	10.35	-	16.00	4.70	5
	K1	✓		74.60	105.60	10.35	-	16.00	4.70	5
	K4	✓		57.15	78.00	13.50	-	12.70	3.15	2
	K6	✓		53.85	78.00	10.00	12.85	12.70	3.15	2
	K7	✓		50.80	78.00	10.00	-	12.70	3.15	2
CA620	K8	✓		57.00	78.00	10.00	-	12.70	3.15	2
	KB	✓		53.85	78.00	12.70	-	12.70	3.15	2
CA620	K1	✓		81.60	113.00	10.00	-	14.00	3.15	6

'M' Attachments are also available.



AGRICULTURAL ROLLER CHAINS

AMERICAN STANDARD

'K' ATTACHMENTS

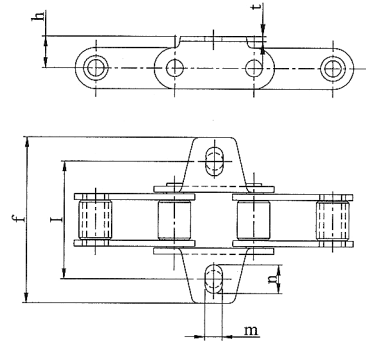


Fig. 1

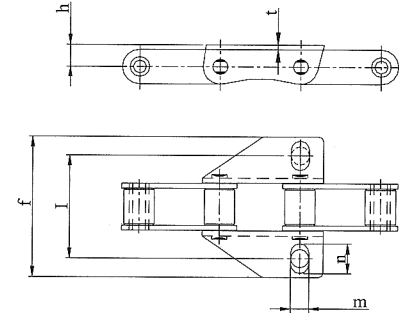


Fig. 2

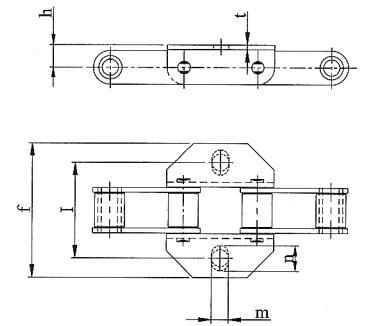


Fig. 3

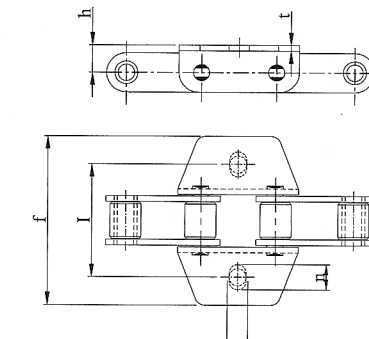


Fig. 4

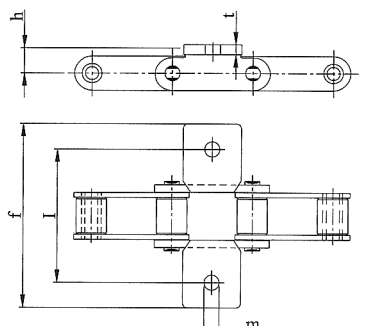


Fig. 5

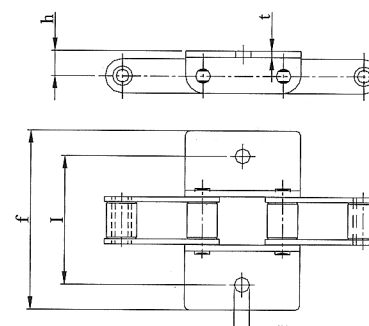


Fig. 6

AGRICULTURAL ROLLER CHAINS

AMERICAN STANDARD

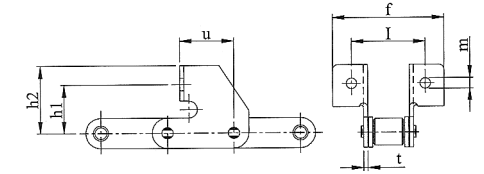
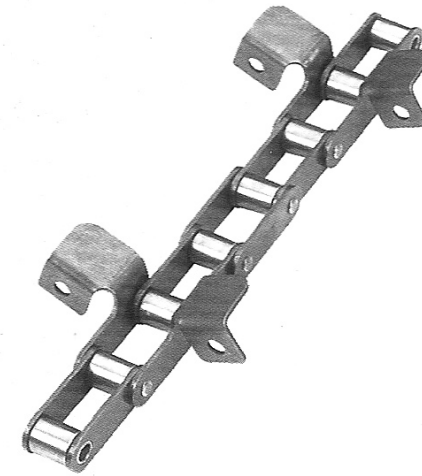


Fig. 1

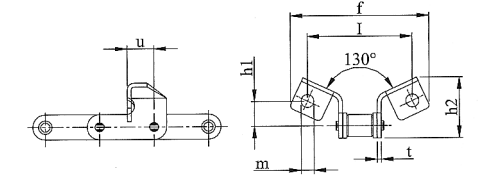
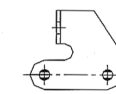


Fig. 2

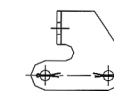
ISO 487/DIN 8189/ASME B29.19M

ELEVATOR ATTACHMENTS

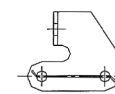
Chain No.	Ametric® Att. No.	Attachments	Dimensions							Fig. No.
			Outer	i	f	m	h1	h2	u	
CA550	A	✓	47.60	68.20	8.70	31.00	42.90	37.70	2.60	1
	B	✓	79.40	107.00	9.90	15.70	42.95	20.30	2.60	2
	C	✓	79.40	107.00	8.50	15.70	42.95	20.30	2.60	2
	D	✓	79.30	107.00	10.50	15.70	42.95	20.30	2.60	2
	G	✓	58.00	82.40	5.50	16.00	25.00	28.60	2.60	1
	H	✓	62.00	82.40	6.50	19.00	33.70	28.60	2.60	1



OUTER LINK

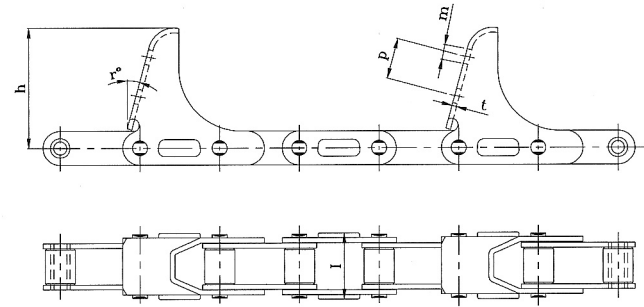
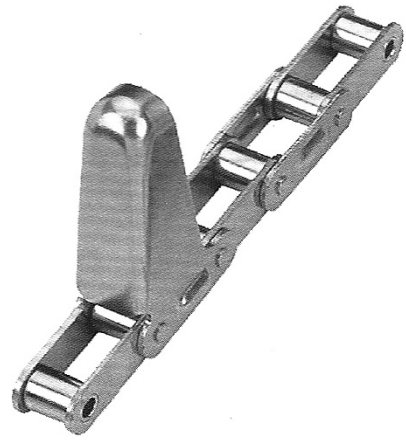


CONNECTING LINK SECURED WITH SPLIT PIN



CONNECTING LINK SECURED WITH WIRE

AGRICULTURAL ROLLER CHAINS AMERICAN STANDARD



ISO 487/DIN 8189/ASME B29.19m

CORN (MAIZE) ATTACHMENTS

Chain No.	Ametric® Att. No.	Dimensions						Fig. No.
		h	i	r^p	p	m	t	
CA2060	M10	58.00	31.20	22.00	-	-	3.05	1
	M12	58.00	31.20	22.00	30.10	8.30	3.00	1
	M30	63.50	31.20	22.00	-	-	3.05	2
	M62	55.00	31.20	22.50	18.00	8.30	3.05	3
CA550	MA0	62.70	36.80	20.00	-	-	2.60	4
	MB0	66.50	36.80	15.00	-	-	2.60	5
	M10	76.20	36.80	15.00	-	-	2.60	6
	M30	92.00	36.80	15.00	-	-	2.60	7
	M40	76.20	36.80	15.00	-	-	2.60	8
	M60	63.50	36.80	15.00	-	-	2.60	9
	M70	63.50	36.80	15.00	-	-	2.60	10
	M90	68.50	36.80	15.00	-	-	2.60	11
	MC0	68.50	36.80	15.00	-	-	2.60	12
	MD0	63.50	36.80	15.00	-	-	2.60	13
CA555	M10	55.00	32.00	15.00	-	-	3.15	14
	M30	63.50	32.00	15.00	-	-	3.15	15
	M32	63.50	32.00	15.00	25.30	7.00	3.15	16
	M62	60.50	32.00	15.00	19.10	7.00	3.15	16

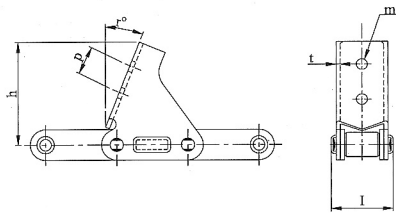


Fig. 1

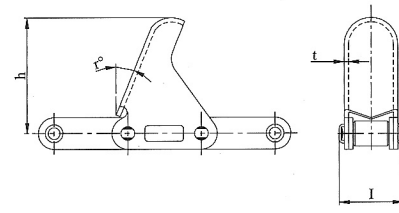


Fig. 2

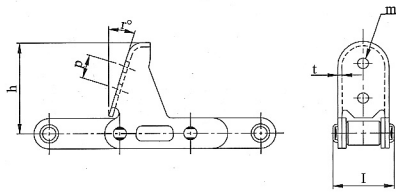


Fig. 3

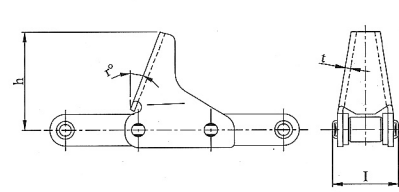


Fig. 4

AGRICULTURAL ROLLER CHAINS AMERICAN STANDARD

CORN (MAIZE) ATTACHMENTS

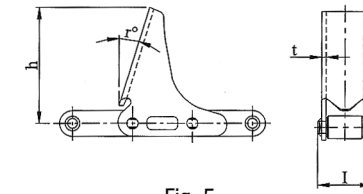


Fig. 5

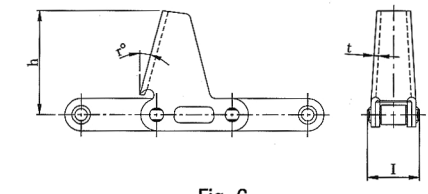


Fig. 6

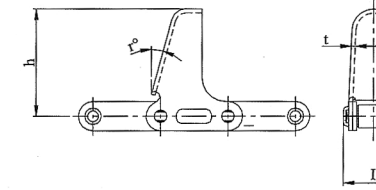


Fig. 7

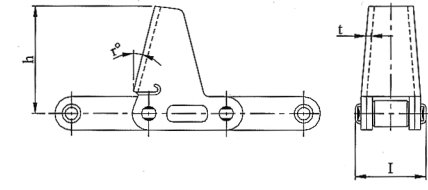


Fig. 8

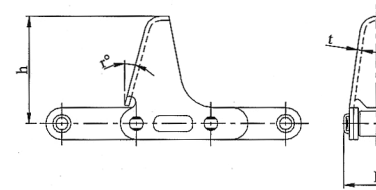


Fig. 9

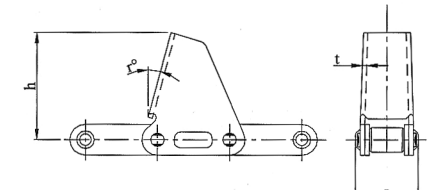


Fig. 10

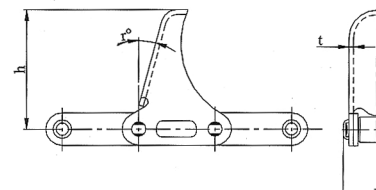


Fig. 11

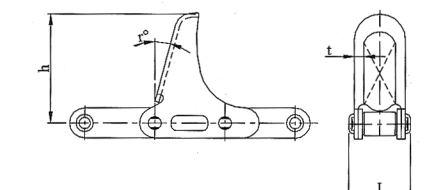


Fig. 12

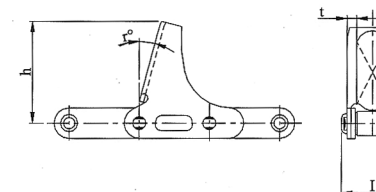


Fig. 13

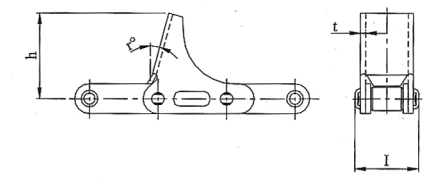


Fig. 14

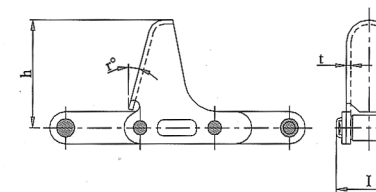


Fig. 15

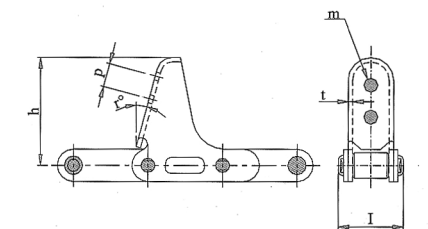
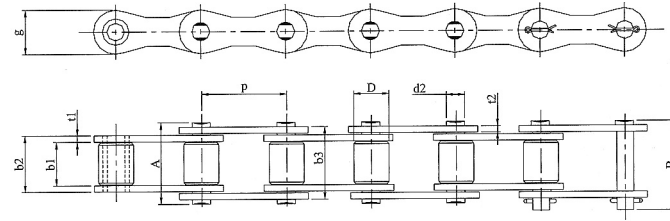


Fig. 16

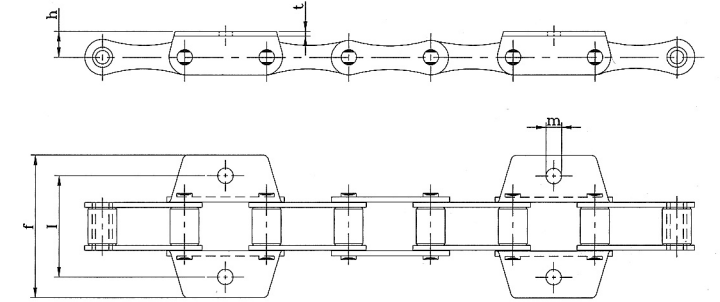
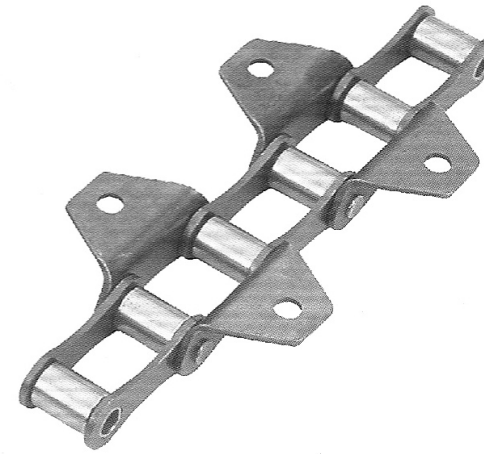
AGRICULTURAL ROLLER CHAINS

INDUSTRY STANDARD CURVED PLATES



AGRICULTURAL ROLLER CHAINS

INDUSTRY STANDARD CURVED PLATES



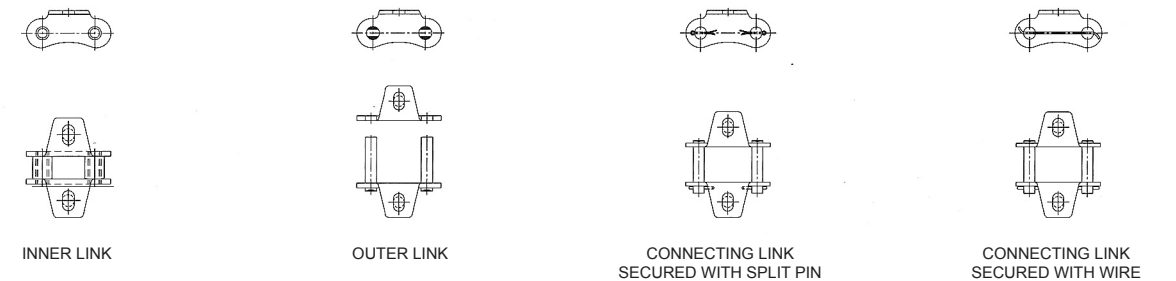
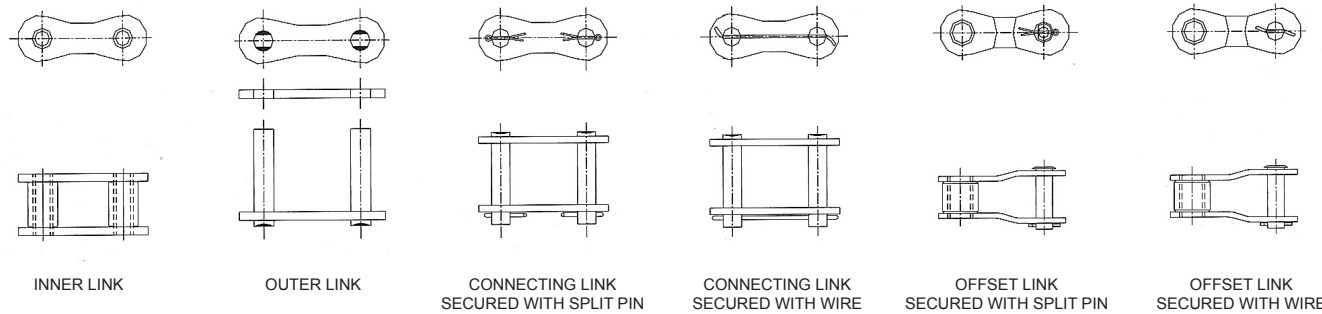
INDUSTRY STANDARD CURVED PLATES

Intl. Ref. No. Ametric® Chain No.	Pitch P	Width between Inner Plates b1 (Min)	Roller Dia. D (Max)	Width over Inner Plates b2 (Max)	Width over Outer Plates b3 (Max)	Bearing Pin Dia. d (Max)	Width over Bearing Pin A (Max)	Width over Joint Fastener B (Max)	Plate Height g (Max)	Plate Thickness		Bearing Area (sq. cm)	Average Weight per Metre (kg)	Tensile Strength	
										t1 (Nom)	t2 (Nom)			Min (N)	Avg (N)
S32H	29.21	15.88	11.43	20.19	24.30	5.08	26.80	28.60	13.20	2.00	2.00	1.03	0.88	8000	24800
P30-3	30.00	17.02	15.88	25.40	32.00	8.27	35.60	39.35	20.70	3.60	2.90	2.10	2.53	44000	61000
S52L	38.10	16.00	15.24	21.90	27.90	5.72	30.50	33.20	17.20	2.60	2.60	1.20	1.24	29840	30900
S52LV	38.10	18.00	15.88	24.40	30.60	6.93	33.80	37.00	17.20	2.90	2.90	1.70	1.46	30000	33000
S55R	41.40	22.23	17.78	28.50	34.50	5.72	37.50	39.80	21.20	2.60	2.60	2.40	2.40	18000	37000
S55V	41.40	22.23	17.90	28.70	35.30	8.27	39.40	41.70	20.70	2.90	2.90	2.40	1.92	40000	53000
S55VH	41.40	22.23	17.70	28.70	35.30	8.27	39.40	41.70	21.60	2.90	2.90	2.40	2.10	41200	55000
P41.30	41.40	22.23	15.88	28.70	35.30	8.27	39.40	41.70	20.70	2.90	2.90	2.40	1.85	40000	53000
S55SK8H	41.40	20.50	15.88	27.00	33.70	7.97	37.00	40.10	20.00	2.90	2.90	2.15	1.75	42500	54000
P41.40-3	41.40	20.00	15.88	28.55	35.45	8.27	39.40	41.70	20.70	4.00	2.90	2.40	2.05	60000	63000
P40.60	40.60	22.00	14.00	27.30	32.70	6.93	36.30	40.30	19.20	2.40	2.40	1.75	1.55	33060	35300
A557W	41.40	19.05	17.75	25.85	32.90	7.91	36.00	39.70	22.30	3.15	3.15	1.87	2.35	72000	74000

'K' ATTACHMENTS

Chain No.	Ametric® Att. No.	Attachments		Dimensions						Fig. No.
		Outer	Inner	i	f	m	n	h	t	
S32H	K1	✓		42.90	60.50	5.30	-	8.70	2.00	1
S55V	K1	✓	✓	58.00	79.00	9.00	-	13.00	2.90	2
	K2	✓	✓	54.00	74.50	8.50	-	15.00	2.90	2
	K4	✓		54.00	75.00	8.60	-	14.80	2.90	3
	K5	✓		54.00	85.00	8.60	-	14.80	2.90	3
	K7	✓		54.00	79.00	8.50	-	13.00	2.90	2
P41.30	K2	✓		70.00	94.00	9.00	11.50	16.00	2.90	5
	K4	✓		70.50	90.00	8.50	-	16.00	2.90	4
S55SK8H	K1	✓		60.00	85.00	8.50 Sq.	-	15.00	2.90	3
	K2	✓		60.00	89.50	8.60	-	15.00	2.90	6
	K3	✓		110.00	140.00	11.20	20.20	15.00	2.90	7
	K4	✓		53.00	72.00	6.20	-	12.80	2.90	8
	K5	✓	✓	60.00	84.10	8.50 Sq.	-	14.00	2.40	2
	K8	✓		53.00	77.00	6.30	-	12.80	2.90	8
	KA	✓		55.00	79.00	6.80	10.00	15.00	2.90	2
	KB	✓		60.00	85.00	8.60	-	15.00	2.90	6
	KC	✓		56.00	87.00	8.60	-	13.00	2.90	3
U4140P	K1	✓		54.00	80.00	8.60	-	13.20	2.90	2
P40.60	K1	✓		63.00	83.60	8.60	-	14.00	2.40	2
A557W	K6	✓		57.00	78.00	10.60	-	14.20	3.15	9

'M' Attachments are also available.



AGRICULTURAL ROLLER CHAINS

INDUSTRY STANDARD CURVED PLATES

'K' ATTACHMENTS

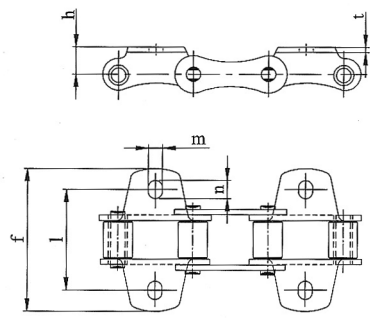


Fig. 1

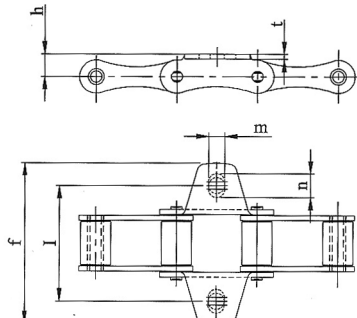


Fig. 2

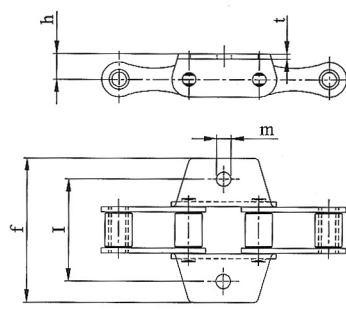


Fig. 3

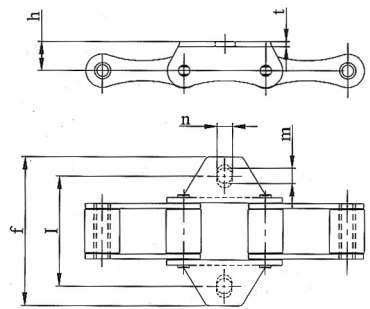


Fig. 4

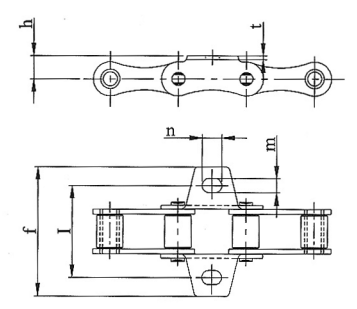


Fig. 5

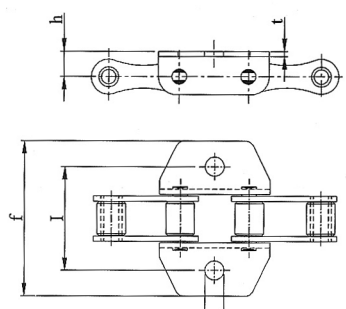


Fig. 6

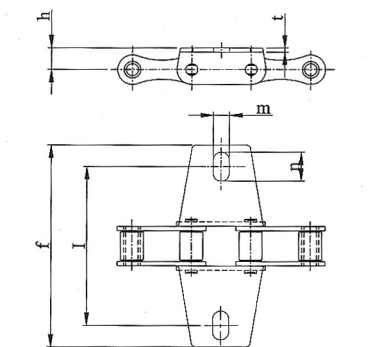


Fig. 7

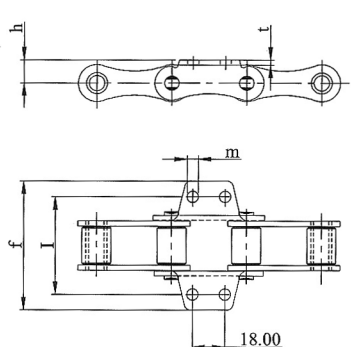


Fig. 8

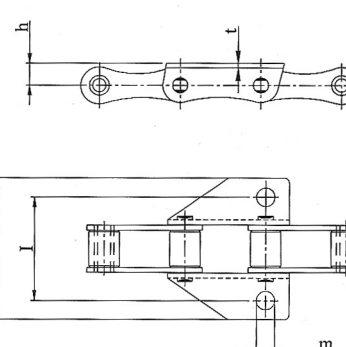
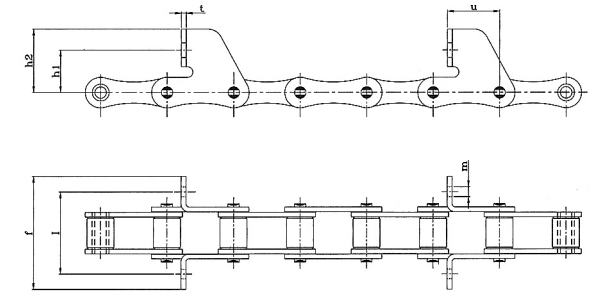
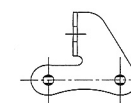


Fig. 9

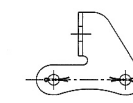


ELEVATOR ATTACHMENTS

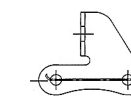
Chain No.	Ametric® Att. No.	Attachments	Dimensions								Fig. No.	
			Outer	i	f	m	n	h1	h2	u		t
S52L	A	✓		54.50	76.60	6.50	-	20.00	29.00	19.20	2.60	1
S55V	A	✓		54.50	84.00	6.50	-	25.00	35.00	31.40	2.90	1
	B	✓		88.00	118.00	8.50	-	18.00	40.00	31.50	2.90	2
	C	✓		88.00	118.00	8.50	-	18.00	40.00	19.00	2.90	2
	D	✓		60.00	83.00	8.50	-	25.00	32.70	28.60	2.90	3
P41.30	A	✓		60.00	83.00	6.50	-	25.00	32.70	28.60	2.90	4
	B	✓		55.80	77.40	8.50	-	20.00	29.50	53.80	2.90	5
	C	✓		60.00	80.00	7.00	-	27.00	42.25	37.75	2.90	6
	D	✓		60.00	83.00	8.50	-	25.00	32.70	28.60	2.90	7
S55SK8H	A	✓		55.00	77.40	6.60	10.00	20.00	29.50	53.90	2.90	5
	B	✓		55.00	77.00	9.00	-	20.00	65.00	56.40	2.90	8
	C	✓		55.00	77.40	8.40	-	20.00	29.50	53.90	2.90	5
	D	✓		55.00	77.40	8.50	10.00	20.00	29.50	53.90	2.90	5
S55R	C	✓		58.00	82.40	6.50	-	21.00	33.70	28.60	2.60	9
	K	✓		58.00	82.40	6.00	10.00	21.00	33.70	28.60	2.60	9



OUTER LINK



CONNECTING LINK SECURED WITH SPLIT PIN



CONNECTING LINK SECURED WITH WIRE

AGRICULTURAL ROLLER CHAINS

INDUSTRY STANDARD CURVED PLATES

ELEVATOR ATTACHMENTS

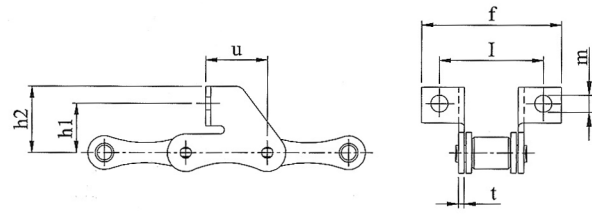


Fig. 1

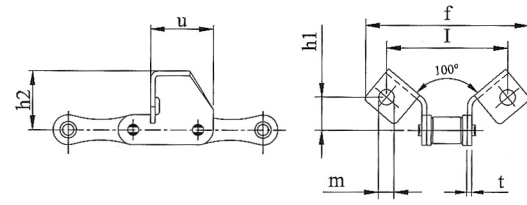


Fig. 2

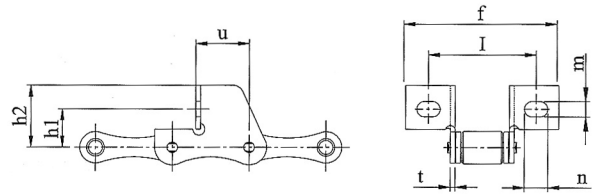


Fig. 3

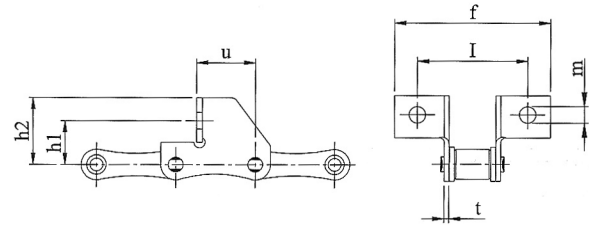


Fig. 4

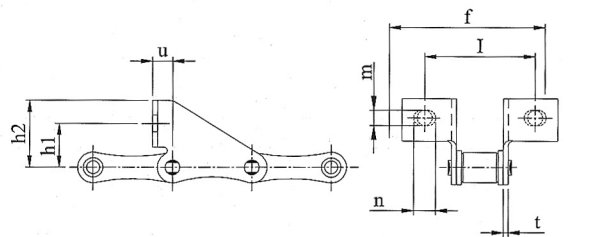


Fig. 5

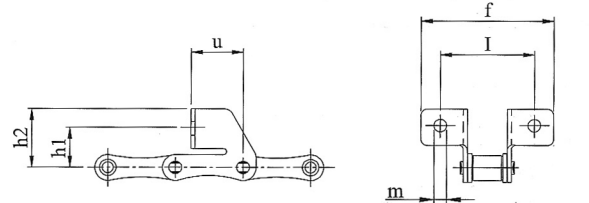


Fig. 6

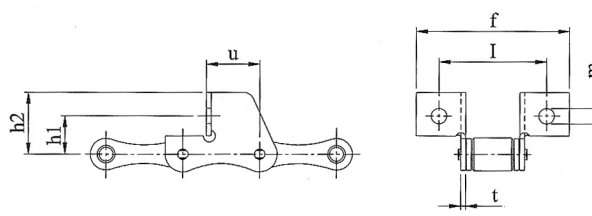


Fig. 7

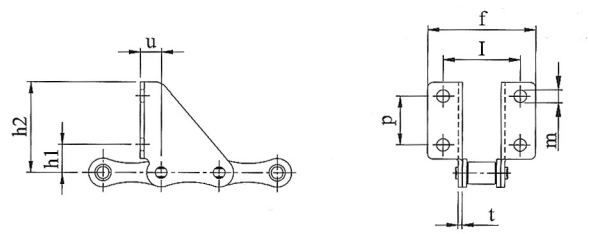


Fig. 8

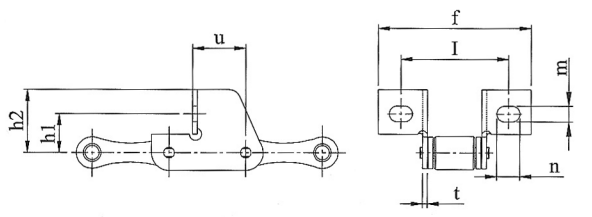
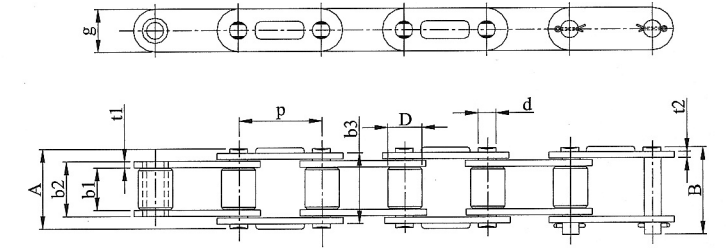
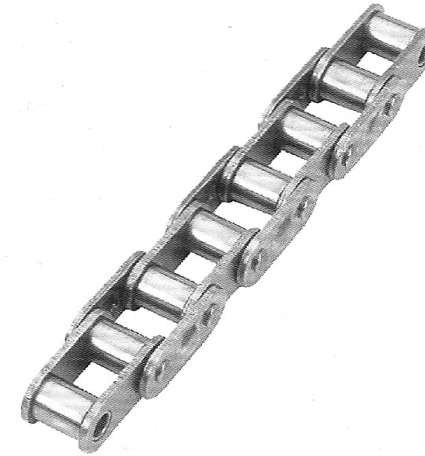


Fig. 9

AGRICULTURAL ROLLER CHAINS

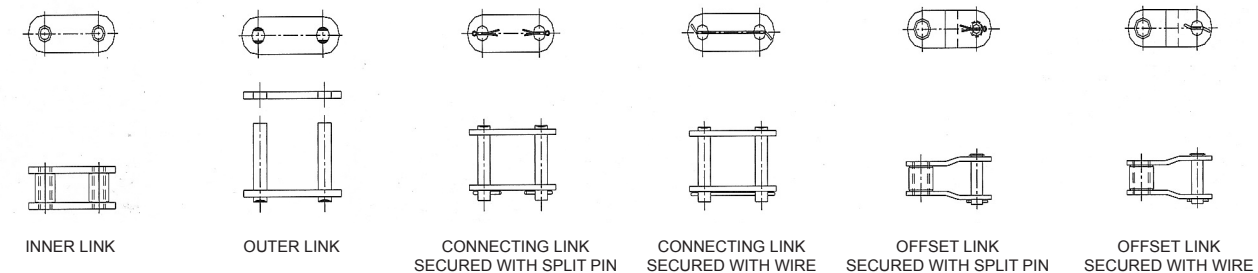
INDUSTRY STANDARD STRAIGHT PLATES



INDUSTRY STANDARD STRAIGHT PLATES

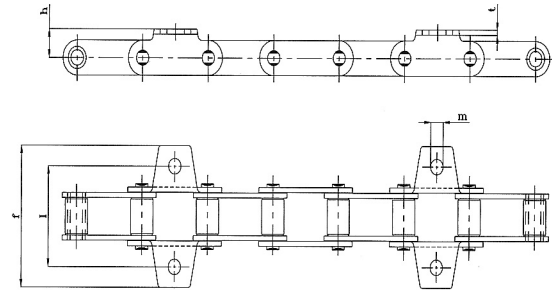
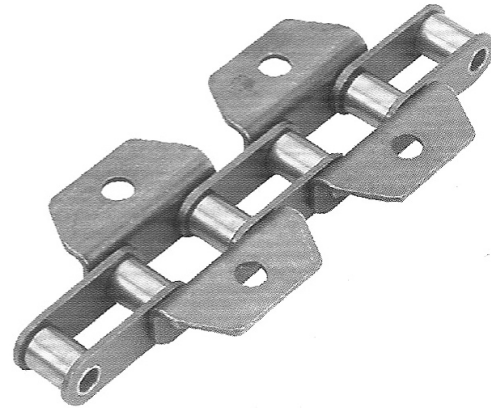
Intl. Ref. No. Ametric® Chain No.	Pitch P	Width between Inner Plates b1 (Min)	Roller Dia. D (Max)	Width over Inner Plates b2 (Max)	Width over Outer Plates b3 (Max)	Bearing Pin Dia. d (Max)	Width over Bearing Pin A (Max)	Width over Joint Fastener B (Max)	Plate Height g (Max)	Plate Thickness		Bearing Area (sq. cm)	Average Weight per Metre (kg)	Tensile Strength	
										t1 (Nom)	t2 (Nom)			Min (N)	Avg (N)
38.4R	38.40	19.05	15.88	24.20	29.60	6.93	32.80	36.50	17.20	2.40	2.40	1.70	1.63	33060	34300
38.4R-1	38.40	19.05	14.00	24.20	29.60	6.93	32.80	36.50	17.20	2.40	2.40	1.70	1.58	33060	34300
38.4V	38.40	18.00	15.88	25.40	32.00	6.93	34.95	38.80	17.20	2.90	2.90	1.70	1.73	40000	42500
38.4V-LR	38.40	18.00	21.00	25.40	32.00	6.93	34.95	38.80	17.20	2.90	2.90	1.70	2.05	40000	42500
38.4VB*	38.40	19.05	15.88	25.45	32.00	8.27	35.60	38.80	20.20	2.90	2.90	2.10	2.10	50000	50500
38.4VB-1	38.40	19.05	15.88	26.30	33.60	8.27	36.50	40.20	20.20	3.25	3.25	1.85	2.23	54000	505000
CA550-LR	41.40	19.81	20.00	25.70	31.70	7.19	35.60	38.20	19.20	2.60	2.60	1.87	2.15	40000	43500
CA2062H*	38.10	12.57	22.23	19.45	26.60	5.96	30.36	32.10	18.20	3.15	3.15	1.16	1.78	31290	37000
CA627*	30.00	19.05	15.88	25.45	32.00	8.27	35.60	38.80	20.70	2.90	2.90	2.10	2.45	44140	53000
P30-2	30.00	17.02	15.88	25.45	32.00	8.27	35.60	38.80	20.70	3.60	2.90	2.10	2.75	44140	61000
P40-1	40.00	17.02	15.88	25.45	32.00	8.27	35.60	38.80	20.20	3.60	2.90	2.10	2.10	50000	62000
S55VD	41.40	22.23	17.90	28.80	35.40	8.27	39.40	42.10	20.20	2.90	2.90	2.40	2.27	44140	52200
S55H*	41.40	22.23	17.90	29.00	35.50	9.10	39.40	42.10	23.20	2.90	2.90	2.64	2.60	49000	59000
S55SK2	41.40	22.23	15.88	31.00	37.90	8.27	41.40	44.50	20.20	4.00	2.90	2.72	2.67	40000	54000
S55SK7	41.40	22.23	22.86	31.00	37.90	8.27	41.40	44.50	20.20	4.00	2.90	2.72	3.53	40000	54000
CA550H*	41.40	19.05	16.87	25.45	32.00	8.27	35.80	38.80	20.20	2.90	2.90	2.10	2.15	55000	60000
CA550V	41.40	20.00	16.87	26.60	33.40	7.19	36.00	39.80	19.20	2.90	2.90	1.92	2.25	57870	59000
P41.40-1	41.40	20.50	15.88	27.00	33.70	9.10	37.00	40.10	23.25	2.90	2.90	2.64	1.95	49040	57000
P41.40-2	41.40	20.00	15.88	28.55	35.40	8.27	38.70	44.60	20.20	4.00	2.90	2.40	2.25	52970	54000
P40-3	40.00	16.00	12.00	23.00	29.60	6.00	32.10	34.20	17.00	2.90	2.90	1.20	1.40	40200	44000
P52-1	52.00	20.00	17.00	26.30	33.00	9.53	37.10	40.65	26.20	2.90	2.90	2.62	2.36	70300	72700

* Bush chain also available.
Note: embossed outer plate only for corn (maize) chain.



AGRICULTURAL ROLLER CHAINS

INDUSTRY STANDARD STRAIGHT PLATES



AGRICULTURAL ROLLER CHAINS

INDUSTRY STANDARD STRAIGHT PLATES

'K' ATTACHMENTS

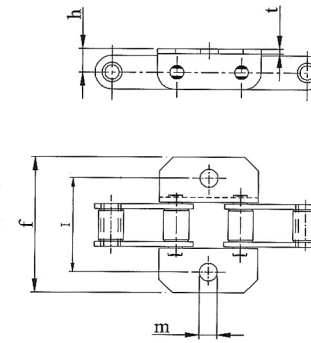


Fig. 1

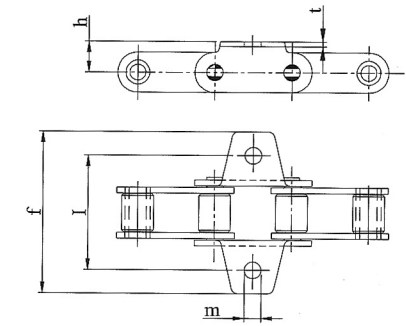


Fig. 2

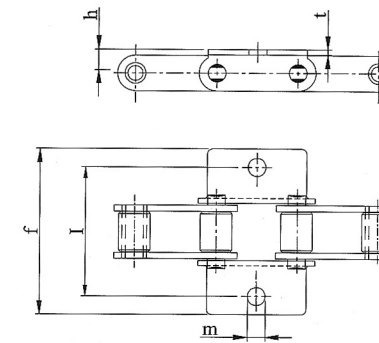


Fig. 3

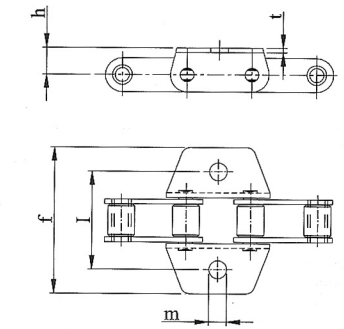


Fig. 4

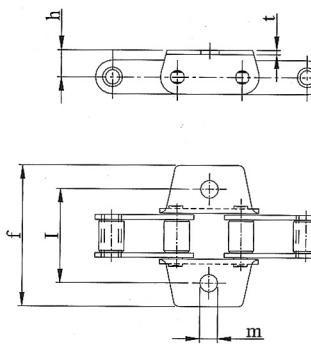


Fig. 5

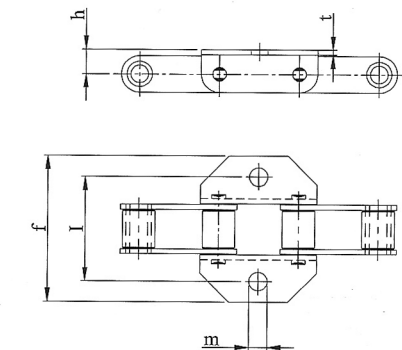


Fig. 6

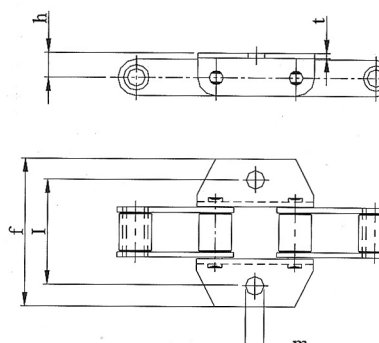


Fig. 7

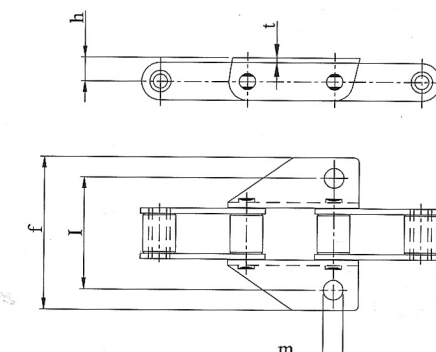
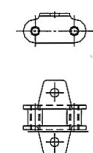


Fig. 8

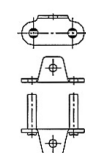
'K' ATTACHMENTS

Ametric® Chain No.	Ametric® Att. No.	Attachments	Dimensions					Fig. No.	
			Outer	i	f	m	h		t
38.4R	K1	✓	58.00	76.50	8.50	15.10	2.40	1	
	K2	✓	58.00	80.50	9.20	15.40	2.40	2	
	K3	✓	58.00	76.50	10.50	15.10	2.40	1	
	K4	✓	58.00	77.00	8.50	11.20	2.40	3	
	K5	✓	57.00	87.30	8.50	16.00	2.40	4	
	K6	✓	57.00	74.00	8.40	11.00	2.40	2	
	K7	✓	57.00	80.50	8.40	15.40	2.40	2	
	K8	✓	57.00	85.00	10.60	16.00	2.40	5	
	KA	✓	57.00	76.00	8.60	13.00	2.90	5	
	KB	✓	58.00	80.50	8.60	15.40	2.40	2	
	KC	✓	57.00	74.00	6.60	11.00	2.40	2	
38.4V	KE	✓	57.00	85.00	9.10	16.80	2.40	5	
	KF	✓	57.00	78.50	9.00	16.00	2.40	2	
	38.4VB	K1	✓	57.00	75.00	8.50	15.10	2.90	1
		K2	✓	57.50	81.50	9.00	15.40	2.90	2
		K3	✓	57.00	75.00	10.55	15.10	2.90	1
		K4	✓	58.00	77.00	8.50	11.20	2.90	3
38.4VB-1	K1	✓	58.00	87.00	10.55	14.00	2.90	1	
	K2	✓	57.00	86.00	10.60	14.00	2.90	7	
CA627	K6	✓	58.00	87.00	10.50	13.00	3.25	8	
CA550V	K1	✓	56.00	84.00	10.60	16.80	2.90	5	
	K6	✓	54.00	76.50	8.50	12.70	2.90	2	
	K7	✓	57.00	78.00	10.60	14.20	2.90	8	
S55VD	K1	✓	54.00	76.50	8.50	12.70	2.90	6	
	K1	✓	58.00	76.00	9.00	16.00	2.90	2	
S55SK2	K1	✓	56.40	81.00	8.50	15.00	2.90	2	
	K2	✓	56.40	77.40	8.60	14.80	2.90	5	
CA550H	K1	✓	51.00	75.50	8.33	16.50	2.90	2	
	K2	✓	54.00	83.00	8.70	12.70	2.90	6	
U 4140F	K1	✓	54.00	85.00	8.60	14.80	2.90	5	
U 40001	K1	✓	56.00	83.50	11.10	15.00	2.90	7	

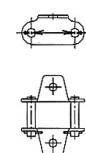
'M' Attachments are also available.



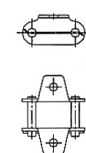
INNER LINK



OUTER LINK



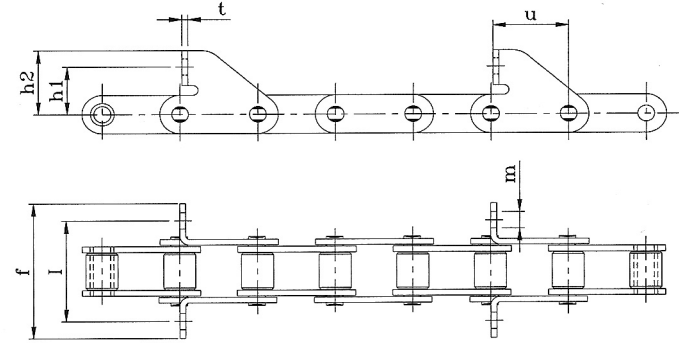
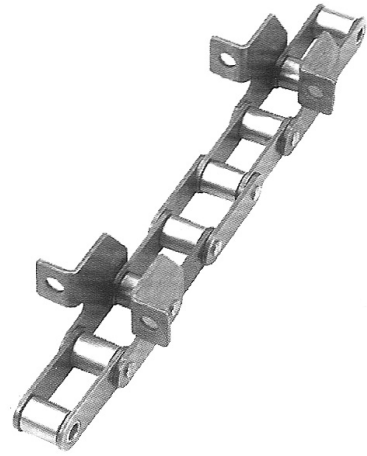
CONNECTING LINK SECURED WITH SPLIT PIN



CONNECTING LINK SECURED WITH WIRE

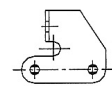
AGRICULTURAL ROLLER CHAINS

INDUSTRY STANDARD STRAIGHT PLATES

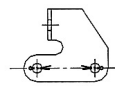


ELEVATOR ATTACHMENTS

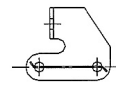
Chain No.	Ametric® Att. No.	Attachments	Dimensions							Fig. No.
			Outer	i	f	m	h1	h2	u	
38.4R	A	✓	52.00	72.50	8.40	24.00	34.50	32.00	2.40	1
	B	✓	60.00	76.00	6.50	24.00	33.00	35.60	2.40	1
	D	✓	52.00	72.00	8.60	24.00	35.00	37.40	2.40	2
38.4V	A	✓	52.00	73.00	8.40	24.00	34.50	32.00	2.90	1
38.4VB	A	✓	52.00	72.00	8.40	24.00	36.75	38.00	2.90	1
CA550H	B	✓	79.40	107.00	8.75	28.58	45.75	20.20	2.90	3
	C	✓	134.00	203.70	8.75	52.40	92.30	29.00	2.90	4
CA550V	A	✓	58.00	90.00	6.50	20.00	37.00	33.40	2.90	5
	B	✓	58.00	90.00	6.50	23.40	40.40	18.10	2.90	6



OUTER LINK



CONNECTING LINK SECURED WITH SPLIT PIN



CONNECTING LINK SECURED WITH WIRE

AGRICULTURAL ROLLER CHAINS

INDUSTRY STANDARD STRAIGHT PLATES

ELEVATOR ATTACHMENTS

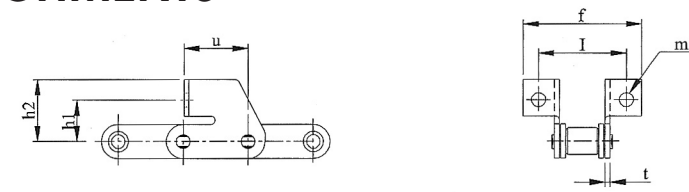


Fig. 1

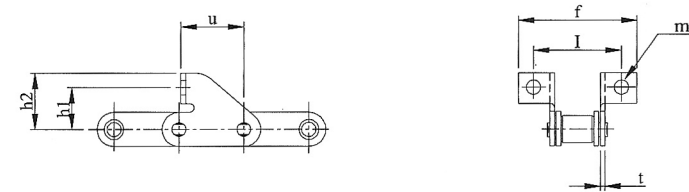


Fig. 2

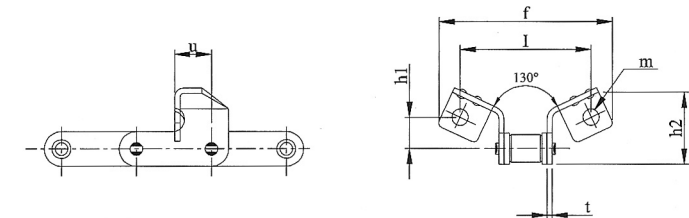


Fig. 3

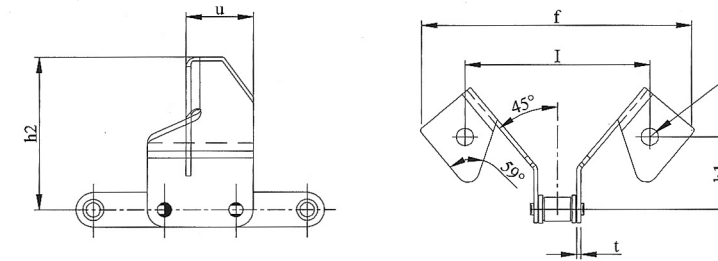


Fig. 4

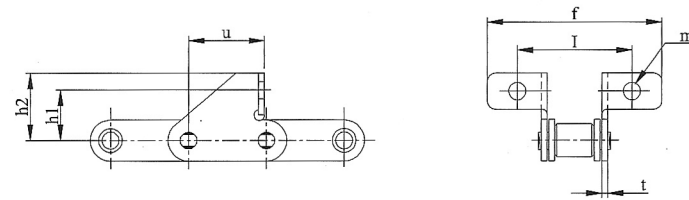


Fig. 5

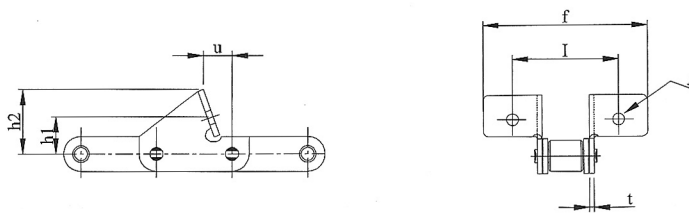
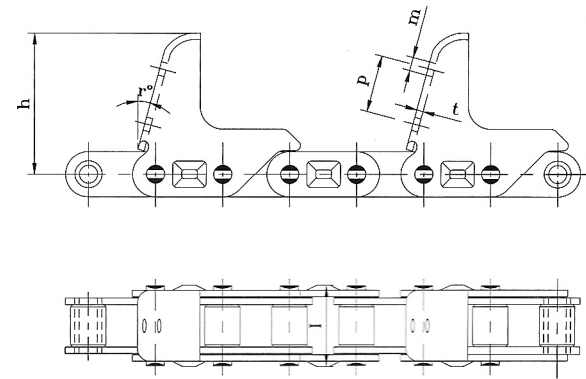
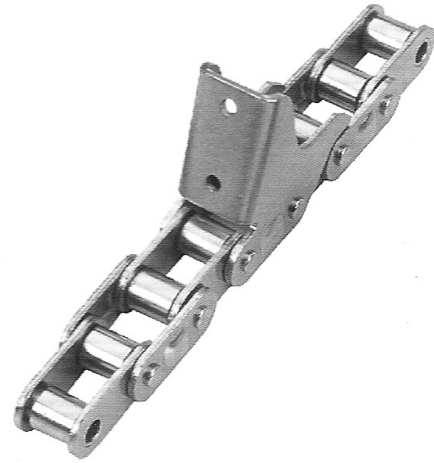


Fig. 6

AGRICULTURAL ROLLER CHAINS

INDUSTRY STANDARD



CORN (MAIZE) ATTACHMENTS

Chain No.	Ametric® Att. No.	Attachments		Dimensions						Fig. No.
		Outer	Inner	h	i	r ^o	p	t	m	
38.4VB	M11		✓	62.50	37.00	22.50	49.00	2.90	8.10	1
CA627	M10		✓	63.50	36.70	22.50	-	2.90	-	2
	M11		✓	63.50	36.70	22.50	47.50	2.90	6.50	1
	M12		✓	63.50	36.70	22.50	30.00	2.90	5.00	2
	M12	✓		63.50	36.70	22.50	30.00	2.90	6.60 Sq.	3
	M32	✓		63.25	36.70	15.00	25.50	2.90	6.20	4
	M42	✓		63.50	36.70	22.50	30.00	2.90	6.00	5
	M60	✓		63.00	36.70	21.50	-	2.90	-	6
	M72	✓		63.75	36.70	23.00	30.00	2.90	6.50	7
	M92	✓		63.25	36.70	22.50	30.00	2.90	6.30	4
	MA2	✓		63.50	36.70	22.50	30.00	2.90	6.00	5a
S55H	M12	✓		57.00	40.20	22.50	22.00	2.90	8.30 Sq.	8
	M14	✓		57.00	40.20	22.50	22.00	2.90	8.30 Sq.	9
	M22	✓		58.00	39.50	22.50	22.00	2.90	8.10 Sq.	10
S55SK2	M12	✓		55.00	42.50	36.00	20.00	2.90	8.20	11
CA550H	M10	✓		73.00	37.60	15.00	-	2.60	-	12
	M40	✓		66.50	37.60	15.00	-	2.60	-	13
	M70	✓		63.50	37.60	15.00	-	2.60	-	12
S55V	M20			85.00	40.50	22.50	-	2.90	-	14

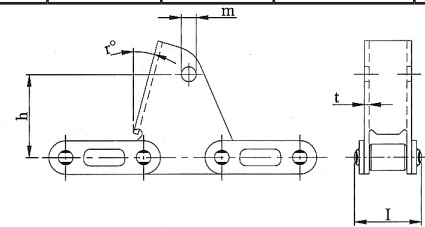


Fig. 1

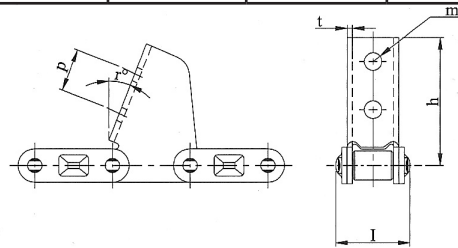


Fig. 2

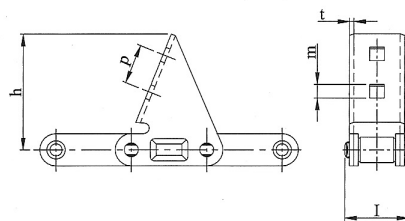


Fig. 3

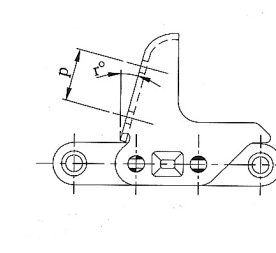


Fig. 4

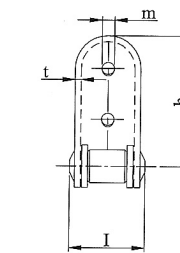


Fig. 5

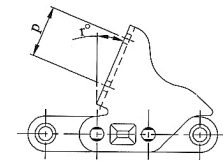
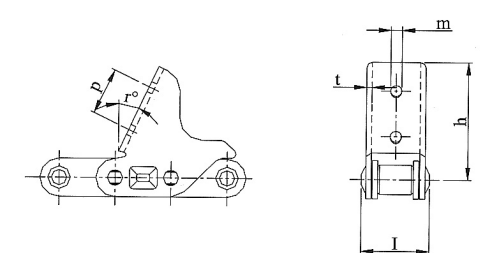


Fig. 5a

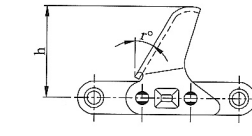
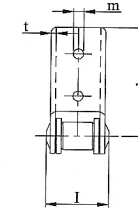


Fig. 6

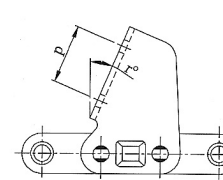
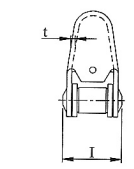


Fig. 7

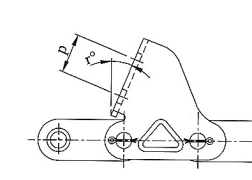
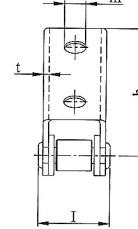


Fig. 8

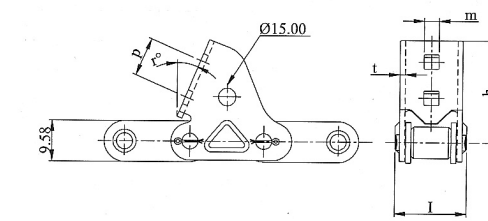
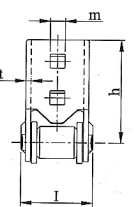


Fig. 9

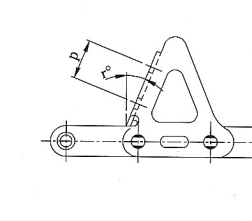
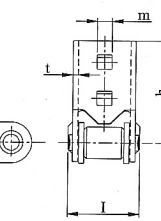


Fig. 10

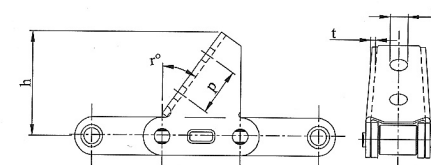
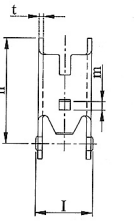


Fig. 11

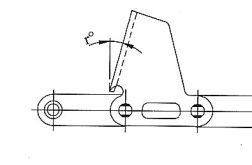
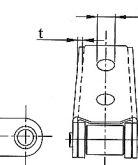


Fig. 12

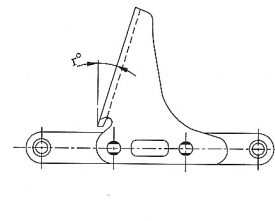
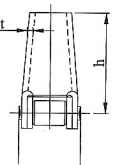


Fig. 13

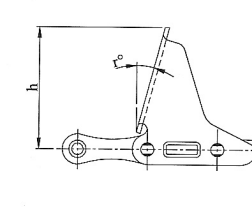
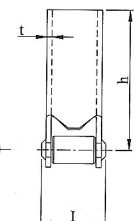
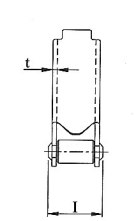


Fig. 14



AGRICULTURAL ROLLER CHAINS

INDUSTRY STANDARD

CORN (MAIZE) ATTACHMENTS

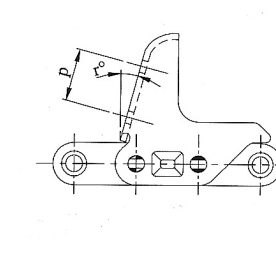


Fig. 4

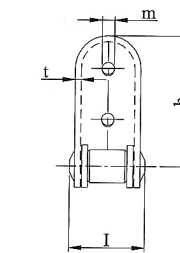


Fig. 5

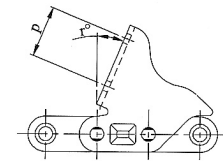
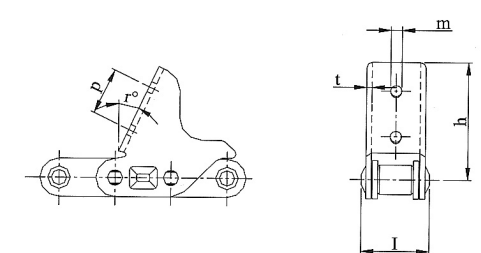


Fig. 5a

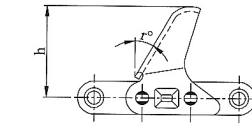
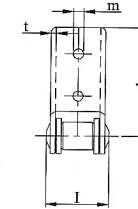


Fig. 6

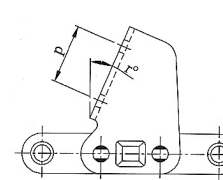
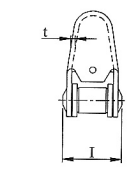


Fig. 7

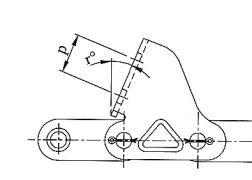
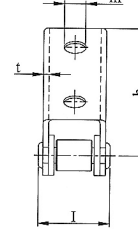


Fig. 8

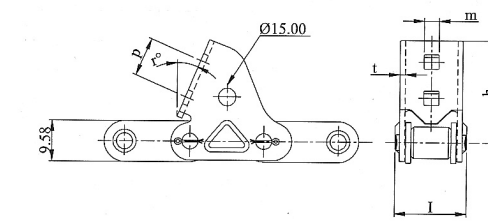
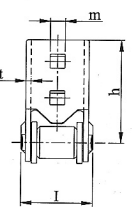


Fig. 9

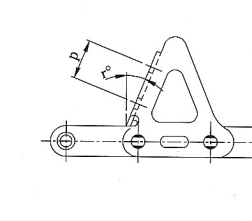
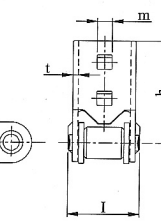


Fig. 10

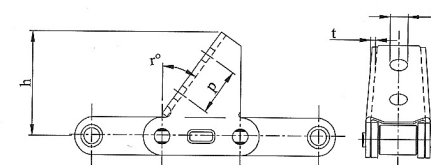
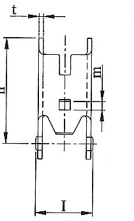


Fig. 11

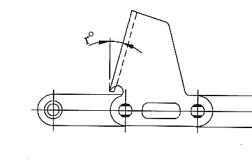
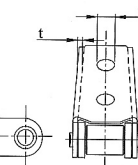


Fig. 12

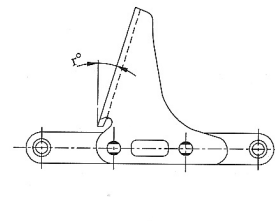
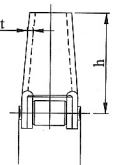


Fig. 13

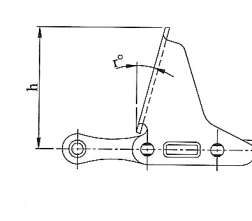
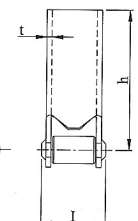
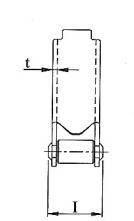


Fig. 14



AGRICULTURAL ROLLER CHAINS

INDUSTRY STANDARD

SPECIAL ATTACHMENTS

Chain No.	Ametric® Att. No.	Attachments	Dimensions						Fig. No.	
			Outer	f	i	p	w	e		r ⁰
38.4R	F0	✓	85.00	-	-	-	24.00	40.00	-	1
	F1	✓	75.00	-	-	-	24.00	37.50	60	2
	F2	✓	58.50	-	-	-	24.00	35.00	27	3
	F3	✓	75.00	-	-	-	24.00	40.00	-	1
S45/55	F2	✓	85.00	40.00	25.00	24.00	40.00	-	4	

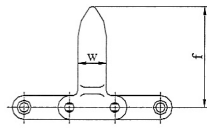


Fig. 1

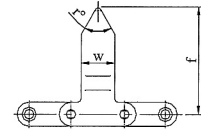


Fig. 2

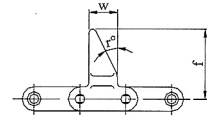


Fig. 3

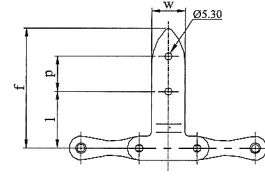
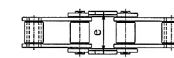
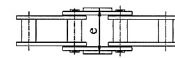
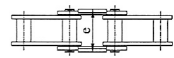


Fig. 4



REDLER ATTACHMENTS

Chain No.	Ametric® Att. No.	Attachments	Dimensions							Fig. No.
			Outer	i	f	p	w	m	h	
38.4R	L1	✓	37.30	47.30	-	20.00	8.30	17	2.90	5
	L2	✓	31.30	66.80	25.00	12.70	6.80	27	2.90	6
S55SK7	L2	✓	61.00	126.00	50.00	16.00	8.40	39	4.00	6

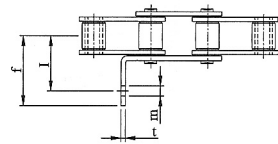
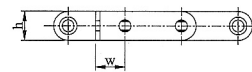


Fig. 5

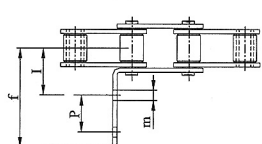
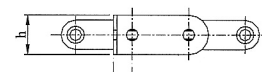


Fig. 6

AGRICULTURAL ROLLER CHAINS

INDUSTRY STANDARD

SPECIAL ATTACHMENTS

Chain No.	Ametric® Att. No.	Attachments	Dimensions				Fig. No.
			A	d1 (Min)	d2	h	
S52	BSA	✓	36.00	14.05	19.00	31.80	7

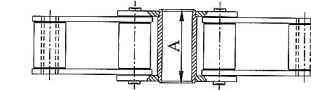
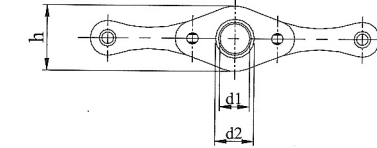


Fig. 7

SPECIAL ATTACHMENTS

Chain No.	Ametric® Att. No.	Attachments	Dimensions							Fig. No.
			i	f	m1	m2	p	w	h	
CA557	A3	✓	31.90	43.30	9.73 Sq.	8.20	30.20	45	31	8

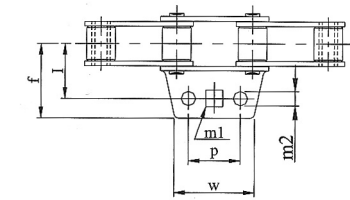
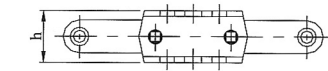


Fig. 8

SPECIAL ATTACHMENTS

Chain No.	Ametric® Att. No.	Attachments	Dimensions				Fig. No.
			A (Max)	h	w	m	
CA620	M01	✓	42.00	28.50	42.00	10.00	9

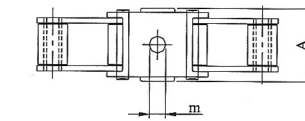
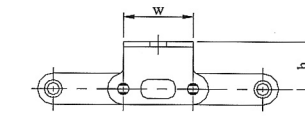


Fig. 9

AGRICULTURAL ROLLER CHAINS

INDUSTRY STANDARD

SPECIAL ATTACHMENTS

Chain No.	Ametric® Att. No.	Dimensions						Fig. No.
		A (Max)	R	d1	d2 (Max)	h1	h2	
U 30002	BM1	25.40	16.00	16.26	22.25	15.00	30.50	10
U 30003								11

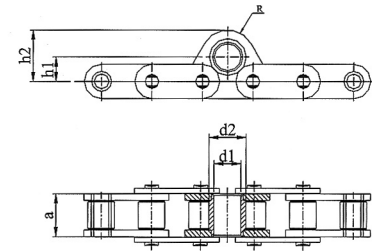


Fig. 10

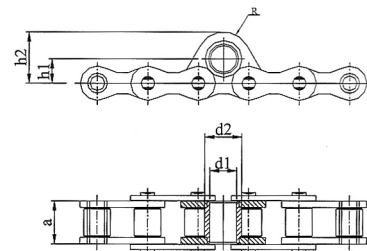


Fig. 11

SPECIAL ATTACHMENTS

Chain No.	Ametric® Att. No.	Dimensions											Fig. No.		
		p	b1	D	b2	a	e	f	g	h1	h2	m		s	w
ANSI 80	OR M12	25.40	15.75	15.87	22.60	35.60	13.50	49.40	23.95	57.25	34.00	7.00	9.00 Sq.	34.00	12

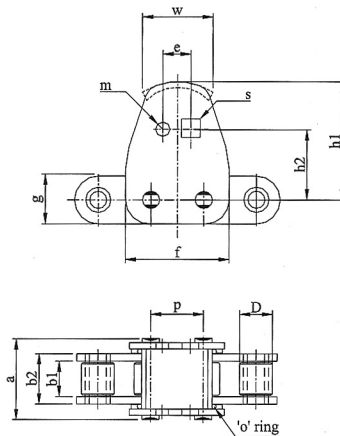


Fig. 12

AGRICULTURAL ROLLER CHAINS

REPLACEMENT CHAINS

JOHN DEERE & CASE NEW HOLLAND REPLACEMENT CHAINS

JOHN DEERE

JD-AZ100262	JD-AZ28843	JD-AH131075	JD-402119M9	JD-AZ100579
JD-AZ103060	JD-AZ24716	JD-AZ63941	JD-402120M9	JD-AZ44111
JD-AZ103	JD-AZ24717	JD-AZ63331M	JD-121EO0TI	JD-AZ100578
JD-AZ103062	JD-AZ24244	JD-AZ101791M	JD-121AO0TI	JD-H135236
JD-AZ103100	JD-AZ24236	JD-AZ102573	JD-Z42620	JD-AZ103375
JD-AZ103322	JD-AZ24243	JD-AZ102574	JD-AZ24234	JD-AZ103374
JD-AZ103059	JD-AZ34232	JD-AZ102571	JD-Z33621	JD-Z62286
JD-AZ44253	JD-AZ34236	JD-AZ102572	JD-Z42619	JD-AZ103373
JD-AZ48847	JD-AZ34237	JD-AZ63336	JD-AZ24232	JD-AZ103376
JD-AZ46962	JD-AZ34233	JD-AZ63337	JD-AZ24233	JD-AH209908
JD-AZ46963	JD-AZ34229	JD-AZ64386	JD-AZ45751	JD-AH209907
JD-AZ36031	JD-AZ4JD-4024	JD-AZ46328	JD-Z38440	JD-AZ48870
JD-AZ45000	JD-AZ46272	JD-AZ46327	JD-AZ34230	JD-AZ48870
JD-AZ36075	JD-AZ52776	JD-AZ63929	JD-AZ34231	JD-AZ45049
JD-AZ38199	JD-AZ52337	JD-AZ101808M	JD-AZ34228	JD-AZ46340
JD-AZ24230	JD-AZ4JD-4025	JD-AZ63315M	JD-AZ34227	JD-AZ48839
JD-AZ24239	JD-AZ4JD-4023	JD-AZ100569	JD-AZ8032	JD-Z100722
JD-AZ24240	JD-AZ46268	JD-AZ100570	JD-AZ27728	JD-Z100723
JD-AZ28842	JD-AZ27729	JD-402JD-121M9	JD-AZ34226	-

Example JD-AZ24430: JD = John Deere AZ24430 = Part Number

CASE NEW HOLLAND

CNH-84973051	CNH-84437417	CNH-84461200	CNH-9814649	CNH-84444517
CNH-84429994	CNH-84018670	CNH-84461202	CNH-8444616	CNH-84441661
CNH-84024311	CNH-84018673	CNH-84437298	CNH-84444617	CNH-84064286
CNH-4019716T	CNH-84022834	CNH-3401866	CNH-84444692	CNH-84444516
CNH-84024753	CNH-84981579	CNH-9811139	CNH-84444693	CNH-87372058
CNH-84400049	CNH-84452605	CNH-89811145	CNH-84021174	CNH-84440038
CNH-84977231	CNH-84441575	CNH-9837403	CNH-84981396	CNH-84320517
CNH-80262179	CNH-84015227	CNH-84018390	CNH-84981401	CNH-8H168578
CNH-80359299	CNH-84441576	CNH-84441578	CNH-89811141	CNH-80362738
CNH-80359298	CNH-84000038	CNH-84455629	CNH-87538988	CNH-80754459
CNH-80398272	CNH-84021366	CNH-84455653	CNH-84437418	CNH-84017435
CNH-80429214/ZP	CNH-987402	CNH-84455645	CNH-84455509	CNH-89835830
CNH-80429214	CNH-84455637	CNH-84971285	CNH-84455633	CNH-80754462
CNH-80449575	CNH-89811138	CNH-84441577	CNH-84455641	CNH-84437453
CNH-22718950	CNH-3401868	CNH-84458175	CNH-84455649	CNH-87534282
CNH-80856929	CNH-80419477	CNH-9837257	CNH-84459813	CNH-86974313
CNH-84981580	CNH-80419476	CNH-9837258	CNH-84459627	CNH-80696232

Example CNH-84981580: CNH = Case New Holland 84981580 = Part Number