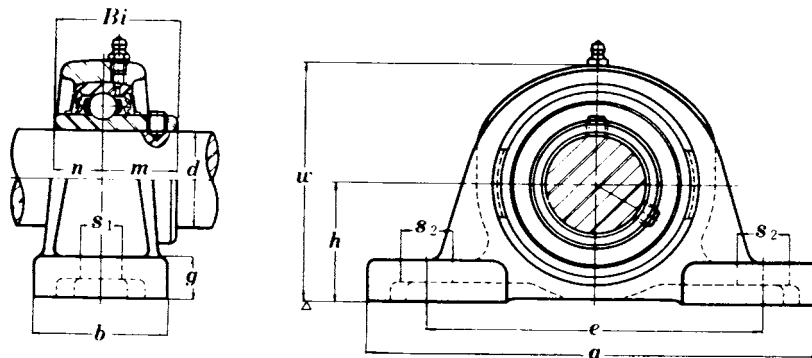


Metric Bearing Unit

UCP 200

Pillow Blocks (Normal-Duty)



Metric Bore

Part No.	Shaft Ø d	h	a	e	b	S ₂	S ₁	g	w	Bi	n	m	Bolt Used	Bearing No.	Housing No.	Weight kg
UCP-201-12	12	30.2	127	95	38	19	13	12	60	31.0	12.7	18.3	10	UC-201	P-203	0.61
UCP-202-15	15	30.2	127	95	38	19	13	12	60	31.0	12.7	18.3	10	UC-202	P-203	0.61
UCP-203-17	17	30.2	127	95	38	19	13	12	60	31.0	12.7	18.3	10	UC-203	P-203	0.61
UCP-204-20	20	33.3	127	95	38	19	13	13	64	31.0	12.7	18.3	10	UC-204	P-204	0.66
UCP-205-25	25	36.5	140	105	38	19	13	13	71	34.0	14.3	19.7	10	UC-205	P-205	0.8
UCP-206-30	30	42.9	165	121	48	21	17	15	84	38.1	15.9	22.2	14	UC-206	P-206	1.3
UCP-207-35	35	47.6	167	127	48	21	17	16	93	42.9	17.5	25.4	14	UC-207	P-207	1.6
UCP-208-40	40	49.2	184	137	54	21	17	17	98	49.2	19.0	30.2	14	UC-208	P-208	2.0
UCP-209-45	45	54.0	190	146	54	21	17	17	106	49.2	19.0	30.2	14	UC-209	P-209	2.2
UCP-210-50	50	57.2	206	159	60	22	20	19	113	51.6	19.0	32.6	16	UC-210	P-210	2.9
UCP-211-55	55	63.5	219	171	60	22	20	19	125	55.6	22.2	33.4	16	UC-211	P-211	3.6
UCP-212-60	60	69.8	241	184	70	25	20	22	138	65.1	25.4	39.7	16	UC-212	P-212	4.9
UCP-213-65	65	76.2	265	203	70	30	25	25	150	65.1	25.4	39.7	20	UC-213	P-213	5.9
UCP-214-70	70	79.4	266	210	72	30	25	28	156	74.6	30.2	44.4	20	UC-214	P-214	6.8
UCP-215-75	75	82.6	275	217	74	30	25	28	162	77.8	33.3	44.5	20	UC-215	P-215	7.4
UCP-216-80	80	88.9	292	232	78	35	25	32	174	82.6	33.3	49.3	20	UC-216	P-216	9.0
UCP-217-85	85	95.2	310	247	83	40	25	32	185	85.7	34.1	51.6	20	UC-217	P-217	10.8
UCP-218-90	90	101.6	327	262	88	45	27	34	198	96.0	39.7	56.3	22	UC-218	P-218	13.9

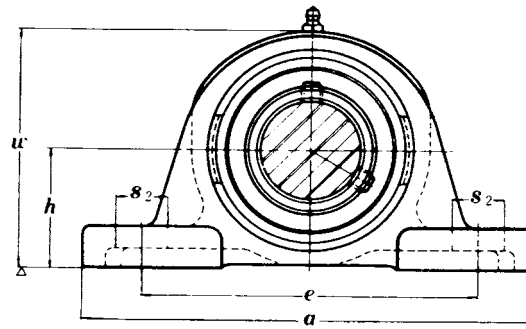
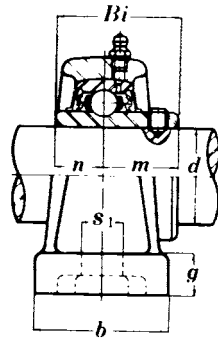
Covers are also available by special request.

Inch Bore and Stainless Steel Also Available

Metric Bearing Unit

UCP 300

Pillow Blocks (Heavy-Duty)



Metric Bore

Part No.	Shaft Ø d	h	a	e	b	S ₂	S ₁	g	w	Bi	n	m	Bolt Used	Bearing No.	Housing No.	Weight kg
UCP-305-25	25	45	175	132	45	20	17	16	85	38	15	23	14	UC-305	P-305	1.7
UCP-306-30	30	50	180	140	50	20	17	17	95	43	17	26	14	UC-306	P-306	2.2
UCP-307-35	35	56	210	160	56	25	17	19	107	48	19	29	14	UC-307	P-307	3.0
UCP-308-40	40	60	220	170	60	27	17	19	118	52	19	33	14	UC-308	P-308	3.8
UCP-309-45	45	67	245	190	67	30	20	21	132	57	22	35	16	UC-309	P-309	4.9
UCP-310-50	50	75	275	212	75	35	20	24	148	61	22	39	16	UC-310	P-310	6.6
UCP-311-55	55	80	310	236	80	38	20	27	158	66	25	41	16	UC-311	P-311	7.9
UCP-312-60	60	85	330	250	85	38	25	29	167	71	26	45	20	UC-312	P-312	9.5
UCP-313-65	65	90	340	260	90	38	25	32	176	75	30	45	20	UC-313	P-313	10.7
UCP-314-70	70	95	360	280	90	40	27	35	186	78	33	45	22	UC-314	P-314	12.4
UCP-315-75	75	100	380	290	100	40	27	35	198	82	32	50	22	UC-315	P-315	14.8
UCP-316-80	80	106	400	300	110	40	27	35	209	86	34	52	22	UC-316	P-316	18.5
UCP-317-85	85	112	420	320	110	45	33	40	220	96	40	56	27	UC-317	P-317	20.3
UCP-318-90	90	118	430	330	110	45	33	40	234	96	40	56	27	UC-318	P-318	22.8
UCP-319-95	95	125	470	360	120	50	36	46	248	103	41	62	30	UC-319	P-319	29.0
UCP-320-100	100	140	490	380	120	50	36	46	273	108	42	66	30	UC-320	P-320	35.1
UCP-322-110	110	150	520	400	140	55	40	50	296	117	46	71	33	UC-322	P-322	44.0
UCP-324-120	120	160	570	450	140	55	40	50	316	126	51	75	33	UC-324	P-324	55.4
UCP-326-130	130	180	600	480	140	55	40	50	355	135	54	81	33	UC-326	P-326	72.1
UCP-328-140	140	200	620	500	140	55	40	60	393	145	59	86	33	UC-328	P-328	92.5

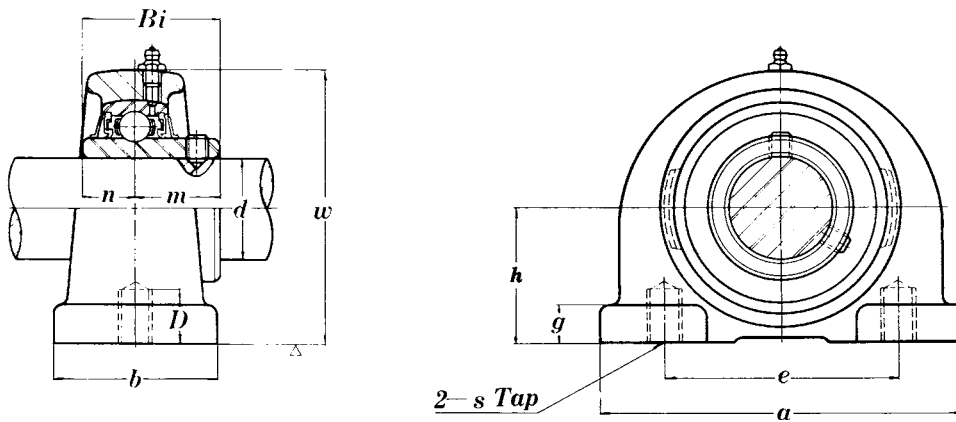
Covers are also available by special request.

Inch Bore Also Available

Metric Bearing Unit

UCPA 200

Pillow Blocks (Normal-Duty)



Metric Bore

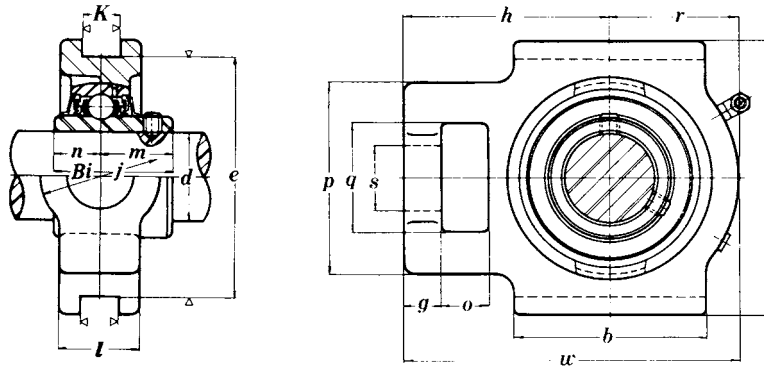
Part No.	Shaft Ø d	h	a	e	b	s	g	w	D	Bi	n	m	Bolt Used	Bearing No.	Housing No.	Weight kg
UCPA-201-12	12	30.2	76	52	40	10	11	62	13	31.0	12.7	18.3	10	UC-201	PA-204	0.64
UCPA-202-15	15	30.2	76	52	40	10	11	62	13	31.0	12.7	18.3	10	UC-202	PA-204	0.64
UCPA-203-17	17	30.2	76	52	40	10	11	62	13	31.0	12.7	18.3	10	UC-203	PA-204	0.64
UCPA-204-20	20	30.2	76	52	40	10	11	62	13	31.0	12.7	18.3	10	UC-204	PA-204	0.64
UCPA-205-25	25	36.5	84	56	45	10	12	72	13	34.0	14.3	19.7	10	UC-205	PA-205	0.83
UCPA-206-30	30	42.9	94	66	50	14	12	84	18	38.1	15.9	22.2	14	UC-206	PA-206	1.2
UCPA-207-35	35	47.6	110	80	55	14	13	95	20	42.9	17.5	25.4	14	UC-207	PA-207	1.7
UCPA-208-40	40	49.2	116	84	58	14	13	100	20	49.2	19.0	30.2	14	UC-208	PA-208	2.0
UCPA-209-45	45	54.2	120	90	60	14	13	108	25	49.2	19.0	30.2	14	UC-209	PA-209	2.2
UCPA-210-50	50	57.2	130	94	64	16	14	116	25	51.6	19.0	32.6	16	UC-210	PA-210	2.8

Inch Bore Also Available

Metric Bearing Unit

UCT 200

Take-Up Units (Normal-Duty)



Metric Bore

Part No.	Metric Bore																Bearing Housing Weight		
	Shaft Ø d	o	g	p	q	s	b	K	e	a	w	l	h	Bi	m	No.	No.	kg	
UCT-201-12	12	16	10	51	32	19	51	12	76	89	94	21	61	31.0	18.3	UC-201	T-204	0.79	
UCT-202-15	15	16	10	51	32	19	51	12	76	89	94	21	61	31.0	18.3	UC-202	T-204	0.79	
UCT-203-17	17	16	10	51	32	19	51	12	76	89	94	21	61	31.0	18.3	UC-203	T-204	0.79	
UCT-204-20	20	16	10	51	32	19	51	12	76	89	94	21	61	31.0	18.3	UC-204	T-204	0.79	
UCT-205-25	25	16	10	51	32	19	51	12	76	89	97	24	62	34.0	19.7	UC-205	T-205	0.84	
UCT-206-30	30	16	10	56	37	22	57	12	89	102	113	28	70	38.1	22.2	UC-206	T-206	1.3	
UCT-207-35	35	16	13	64	37	22	64	12	89	102	129	30	78	42.9	25.4	UC-207	T-207	1.6	
UCT-208-40	40	19	16	83	49	29	83	16	102	114	144	33	88	49.2	30.2	UC-208	T-208	2.5	
UCT-209-45	45	19	16	83	49	29	83	16	102	117	144	35	87	49.2	30.2	UC-209	T-209	2.4	
UCT-210-50	50	19	16	83	49	29	86	16	102	117	149	37	90	51.6	32.6	UC-210	T-210	2.6	
UCT-211-55	55	25	19	102	64	35	95	22	130	146	171	38	106	55.6	33.4	UC-211	T-211	4.0	
UCT-212-60	60	32	19	102	64	35	102	22	130	146	194	42	119	65.1	39.7	UC-212	T-212	4.9	
UCT-213-65	65	32	21	111	70	41	121	26	151	167	224	44	137	65.1	39.7	UC-213	T-213	6.9	
UCT-214-70	70	32	21	111	70	41	121	26	151	167	224	46	137	74.6	44.4	UC-214	T-214	7.0	
UCT-215-75	75	32	21	111	70	41	121	26	151	167	232	48	140	77.8	44.5	UC-215	T-215	7.3	
UCT-216-80	80	32	21	111	70	41	121	26	165	184	235	51	140	82.6	49.3	UC-216	T-216	8.2	
UCT-217-85	85	38	29	124	73	48	157	30	173	198	260	54	162	85.7	51.6	UC-217	T-217	11.0	

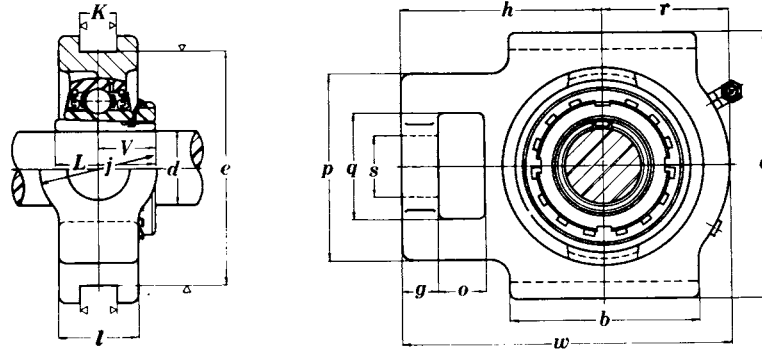
Covers are also available by special request.

Inch Bore Also Available

Metric Bearing Unit

UKT 300

Take-Up Units (Heavy-Duty)



Metric Bore

Part No.	Shaft															Bearing Housing Weight		
	Ø d	o	g	p	q	s	b	K	e	a	w	l	h	Bi	m	No.	No.	kg
UCT-305-25	25	16	12	62	36	26	65	12	80	89	122	26	76	38	23	UC-305	T-305	1.4
UCT-306-30	30	18	14	70	41	28	74	16	90	100	137	28	85	43	26	UC-306	T-306	1.8
UCT-307-35	35	20	15	75	45	30	80	16	100	111	150	32	94	48	29	UC-307	T-307	2.3
UCT-308-40	40	22	17	83	50	32	89	18	112	124	162	34	100	52	33	UC-308	T-308	3
UCT-309-45	45	24	18	90	55	34	97	18	125	138	178	38	110	57	35	UC-309	T-309	4.1
UCT-310-50	50	27	20	98	61	37	106	20	140	151	191	40	117	61	39	UC-310	T-310	4.9
UCT-311-55	55	29	21	105	66	39	115	22	150	163	207	44	127	66	41	UC-311	T-311	6.1
UCT-312-60	60	31	23	113	71	41	123	22	160	178	220	46	135	71	45	UC-312	T-312	7.6
UCT-313-65	65	32	25	116	70	43	134	26	170	190	238	50	146	75	45	UC-313	T-313	9.3
UCT-314-70	70	36	25	130	85	46	140	26	180	202	252	52	155	78	45	UC-314	T-314	11.1
UCT-315-75	75	36	25	132	85	46	150	26	192	216	262	55	160	82	50	UC-315	T-315	13
UCT-316-80	80	42	28	150	98	53	160	30	204	230	282	60	174	86	52	UC-316	T-316	16.2
UCT-317-85	85	42	30	152	98	53	170	32	214	240	298	64	183	96	56	UC-317	T-317	19
UCT-318-90	90	46	30	160	106	57	175	32	228	255	312	66	192	96	56	UC-318	T-318	21.6
UCT-319-95	95	46	31	165	106	57	180	35	240	270	322	72	197	103	62	UC-319	T-319	24.9
UCT-320-100	100	48	32	175	115	59	200	35	260	290	345	75	210	108	66	UC-320	T-320	30.7
UCT-322-110	110	52	38	185	125	65	215	38	285	320	385	80	235	117	71	UC-322	T-322	39.7
UCT-324-120	120	60	42	210	140	70	230	45	320	355	432	90	267	126	75	UC-324	T-324	54.4
UCT-326-130	130	65	45	220	150	75	240	50	350	385	465	100	285	135	81	UC-326	T-326	69.3
UCT-328-140	140	70	50	230	160	80	255	50	380	415	515	100	315	145	86	UC-328	T-328	85.1

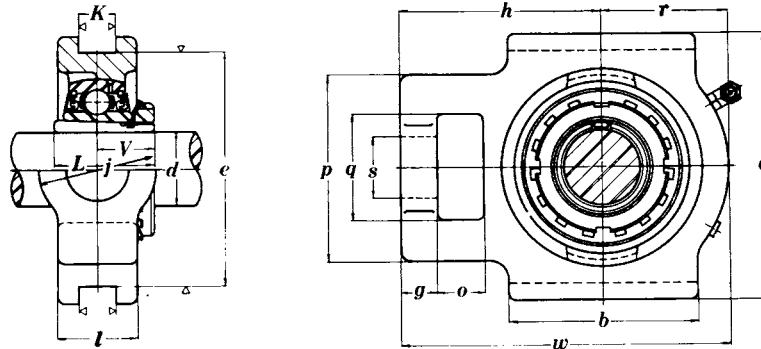
Covers are also available by special request.

Inch Bore Also Available

Metric Bearing Unit

UKT 200

Take-Up Units (With Adapter Mounted, Normal-Duty)



Metric Bore

Part No.	Shaft Ø d	o	g	p	q	s	b	K	e	a	w	l	h	L	Bearing No.	Housing No.	Adapter No.	Weight kg
UKT-205-20	20	16	10	51	32	19	51	12	76	89	97	24	62	29	UK-205	T-205	H-305	0.88
UKT-206-25	25	16	10	56	37	22	57	12	89	102	113	28	70	31	UK-206	T-206	H-306	1.3
UKT-207-30	30	16	13	64	37	22	64	12	89	102	129	30	78	35	UK-207	T-207	H-307	1.7
UKT-208-35	35	19	16	83	49	29	83	16	102	114	144	33	88	36	UK-208	T-208	H-308	2.5
UKT-209-40	40	19	16	83	49	29	83	16	102	117	144	35	87	39	UK-209	T-209	H-309	2.5
UKT-210-45	45	19	16	83	49	29	86	16	102	117	149	37	90	42	UK-210	T-210	H-310	2.7
UKT-211-50	50	25	19	102	64	35	95	22	130	146	171	38	106	45	UK-211	T-211	H-311	4.1
UKT-212-55	55	32	19	102	64	35	102	22	130	146	194	42	119	47	UK-212	T-212	H-312	4.8
UKT-213-60	60	32	21	111	70	41	121	26	151	167	224	44	137	50	UK-213	T-213	H-313	6.8
UKT-215-65	65	32	21	111	70	41	121	26	151	167	232	48	140	55	UK-215	T-215	H-315	7.4
UKT-216-70	70	32	21	111	70	41	121	26	165	184	235	51	140	59	UK-216	T-216	H-316	8.5
UKT-217-75	75	38	29	124	73	48	157	30	173	198	260	54	162	63	UK-217	T-217	H-314	11.2

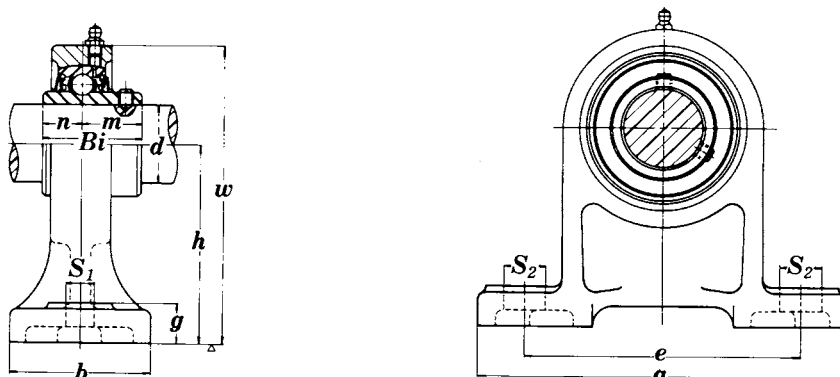
Covers are also available by special request.

Inch Bore Also Available

Metric Bearing Unit

UCPH 200

Pillow Blocks (With Set Screws, Normal-Duty)



Metric Bore

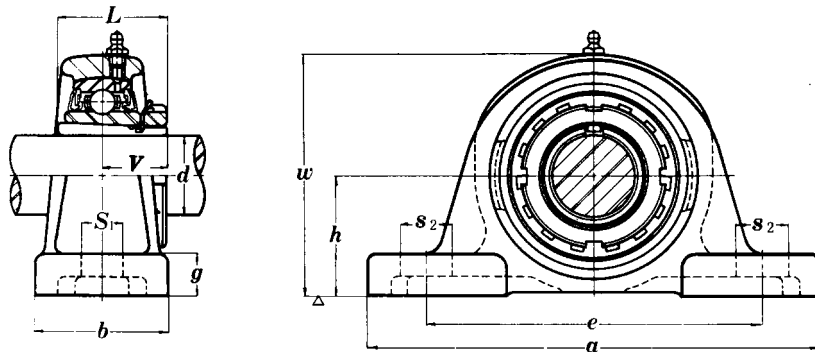
Part No.	Shaft Ø d	h	a	e	b	S ₂	S ₁	g	w	Bi	n	m	Bolt Used	Bearing No.	Housing No.	Weight kg
UCPH-201-12	12	70	127	95	40	19	13	15	101	31.0	12.7	18.3	10	UC-201	PH-204	0.96
UCPH-202-15	15	70	127	95	40	19	13	15	101	31.0	12.7	18.3	10	UC-202	PH-204	0.96
UCPH-203-17	17	70	127	95	40	19	13	15	101	31.0	12.7	18.3	10	UC-203	PH-204	0.96
UCPH-204-20	20	70	127	95	40	19	13	15	101	31.0	12.7	18.3	10	UC-204	PH-204	0.96
UCPH-205-25	25	80	140	105	50	19	13	16	114	34.0	14.3	19.7	10	UC-205	PH-205	1.2
UCPH-206-30	30	90	165	121	50	21	17	18	130	38.1	15.9	22.2	14	UC-206	PH-206	1.6
UCPH-207-35	35	95	167	127	60	21	17	18	140	42.9	17.5	25.4	14	UC-207	PH-207	2.0
UCPH-208-40	40	100	184	137	70	21	17	20	150	49.2	19.0	30.2	14	UC-208	PH-208	2.7
UCPH-209-45	45	105	190	146	70	21	17	20	158	49.2	19.0	30.2	14	UC-209	PH-209	3.0
UCPH-210-50	50	110	206	159	70	22	20	22	165	51.6	19.0	32.6	16	UC-210	PH-210	3.5

Inch Bore Also Available

Metric Bearing Unit

UKP 200

Pillow Blocks (With Adapter Mounted, Normal-Duty)



Metric Bore

Part No.	Shaft Ø d	h	a	e	b	S ₂	S ₁	g	w	L	V	Bolt Used	Bearing No.	Housing No.	Adapter Used	Weight kg
UKP-205-20	20	36.5	140	105	38	19	13	13	71	29	18.7	10	UK-205	P-205	H 305	0.84
UKP-206-25	25	42.9	165	121	48	21	17	15	84	31	19.7	14	UK-206	P-206	H 306	1.4
UKP-207-30	30	47.6	167	127	48	21	17	16	93	35	22.2	14	UK-207	P-207	H 307	1.7
UKP-208-35	35	49.2	184	137	54	21	17	17	98	36	23.7	14	UK-208	P-208	H 308	2.0
UKP-209-40	40	54.0	190	146	54	21	17	17	106	36	25.7	14	UK-209	P-209	H 309	2.3
UKP-210-45	45	57.2	206	159	60	22	20	19	113	42	26.7	16	UK-210	P-210	H 310	3.0
UKP-211-50	50	63.5	219	171	60	22	20	19	125	45	27.7	16	UK-211	P-211	H 311	3.7
UKP-212-55	55	69.8	241	184	70	25	20	22	138	47	29	16	UK-212	P-212	H 312	4.8
UKP-213-60	60	76.2	265	203	70	30	25	25	150	50	31.5	20	UK-213	P-213	H 313	5.8
UKP-215-65	65	82.6	275	217	74	30	25	28	162	55	34.5	20	UK-215	P-215	H 315	7.7
UKP-216-70	70	88.9	292	232	78	35	25	32	174	59	37.8	20	UK-216	P-216	H 316	9.2
UKP-217-75	75	95.2	310	247	83	40	25	32	185	63	39.8	20	UK-217	P-217	H 317	11.0
UKP-218-80	80	101.6	327	262	88	45	27	34	198	65	41.8	22	UK-218	P-218	H 318	13.8

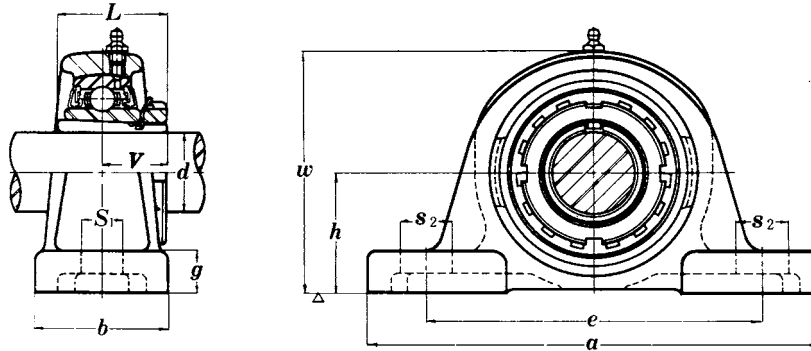
Covers are also available by special request.

Inch Bore Also Available

Metric Bearing Unit

UKP 300

Pillow Blocks (With Adapter Mounted, Heavy-Duty)



Metric Bore

Part No.	Shaft Ø d	h	a	e	b	S ₂	S ₁	g	w	L	V	Bolt Used	Bearing No.	Housing No.	Adapter Used	Weight kg
UKP-305-20	20	45	175	132	45	20	17	16	85	35	21.7	14	UK-305	P-305	H 2305	1.7
UKP-306-25	25	50	180	140	50	20	17	17	95	38	23.2	14	UK-306	P-306	H 2306	2.3
UKP-307-30	30	56	210	160	56	25	17	19	107	43	25.7	14	UK-307	P-307	H 2307	3.0
UKP-308-35	35	60	220	170	60	27	17	19	118	46	27.7	14	UK-308	P-308	H 2308	3.8
UKP-309-40	40	67	245	190	67	30	20	21	132	50	30.2	16	UK-309	P-309	H 2309	5.0
UKP-310-45	45	75	275	212	75	35	20	24	148	55	32.2	16	UK-310	P-310	H 2310	6.7
UKP-311-50	50	80	310	236	80	38	20	27	158	59	33.7	16	UK-311	P-311	H 2311	8.1
UKP-312-55	55	85	330	250	85	38	25	29	167	62	36.0	20	UK-312	P-312	H 2312	9.4
UKP-313-60	60	90	340	260	90	38	25	32	176	65	38.0	20	UK-313	P-313	H 2313	10.8
UKP-315-65	65	100	380	290	100	40	27	35	198	73	42.0	22	UK-315	P-315	H 2315	14.9
UKP-316-70	70	106	400	300	110	40	27	35	209	78	44.3	22	UK-316	P-316	H 2316	18.6
UKP-317-75	75	112	420	320	110	45	33	40	220	82	47.8	27	UK-317	P-317	H 2317	20.2
UKP-318-80	80	118	430	330	110	45	33	40	234	86	47.8	27	UK-318	P-318	H 2318	22.8
UKP-319-85	85	125	470	360	120	50	36	46	248	90	51.8	30	UK-319	P-319	H 2319	29.3
UKP-320-90	90	140	490	380	120	50	36	46	273	97	53.8	30	UK-320	P-320	H 2320	34.8
UKP-322-100	100	150	520	400	140	55	40	50	296	105	59.8	33	UK-322	P-322	H 2322	43.9
UKP-324-110	110	160	570	450	140	55	40	50	316	112	65.5	33	UK-324	P-324	H 2324	55.7
UKP-326-115	115	180	600	480	140	55	40	50	355	121	66.5	33	UK-326	P-326	H 2326	71.9
UKP-328-125	125	200	620	500	140	55	40	60	393	131	72.5	33	UK-328	P-328	H 2328	92.5

Covers are also available by special request.

Inch Bore Also Available



American Metric® Corporation

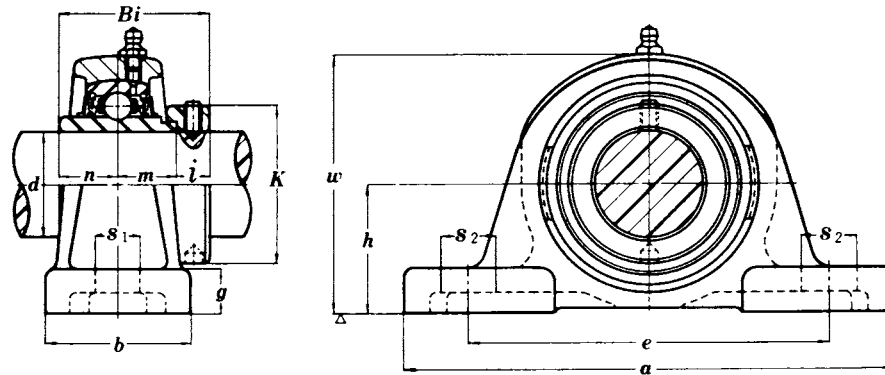
GROUP: 085

1-085 -

Metric Bearing Unit

NAP 200

Pillow Blocks (With Eccentric Locking Collar, Normal-Duty)



Metric Bore

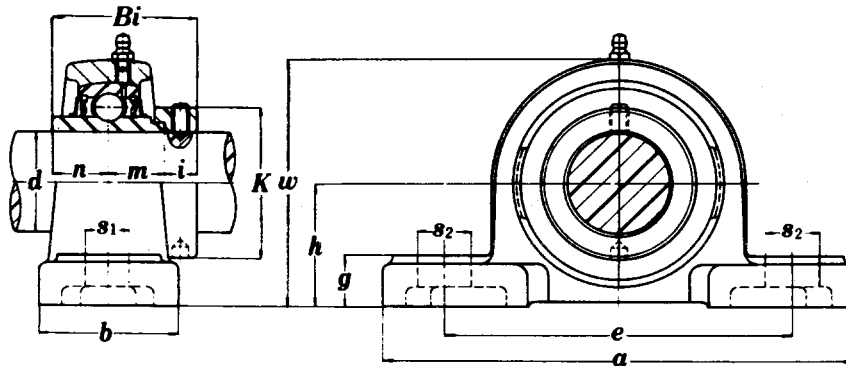
Part No.	Shaft Ø d	h	a	e	b	S ₂	S ₁	g	w	Bi	n	m	i	K	Bolt Used	Bearing No.	Housing No.	Weight kg
NAP-201-12	12	30.2	127	95	38	19	13	12	60	43.5	17.0	17.0	9.5	33.3	10	NA-201	P-203	0.69
NAP-202-15	15	30.2	127	95	38	19	13	12	60	43.5	17.0	17.0	9.5	33.3	10	NA-202	P-203	0.69
NAP-203-17	17	30.2	127	95	38	19	13	12	60	43.5	17.0	17.0	9.5	33.3	10	NA-203	P-203	0.69
NAP-204-20	20	33.3	127	95	38	19	13	13	64	43.5	17.0	17.0	9.5	33.3	10	NA-204	P-204	0.73
NAP-205-25	25	36.5	140	105	38	19	13	13	71	44.3	17.4	17.4	9.5	38.1	10	NA-205	P-205	0.87
NAP-206-30	30	42.9	165	121	48	21	17	15	84	48.3	18.2	18.2	11.9	44.5	14	NA-206	P-206	1.4
NAP-207-35	35	47.6	167	127	48	21	17	16	93	51.1	18.8	18.8	13.5	55.6	14	NA-207	P-207	1.8
NAP-208-40	40	49.2	184	137	54	21	17	17	98	56.3	21.4	21.4	13.5	60.3	14	NA-208	P-208	2.1
NAP-209-45	45	54.0	190	146	54	21	17	17	106	56.3	21.4	21.4	13.5	63.5	14	NA-209	P-209	2.4
NAP-210-50	50	57.2	206	159	60	22	20	19	113	62.7	24.6	24.6	13.5	69.9	16	NA-210	P-210	3.1
NAP-211-55	55	63.5	219	171	60	22	20	19	125	71.4	27.7	27.7	16.0	76.2	16	NA-211	P-211	3.9
NAP-212-60	60	69.8	241	184	70	25	20	22	138	77.8	30.9	30.9	16.0	84.2	16	NA-212	P-212	5.2
NAP-213-65	65	76.2	265	203	70	30	25	25	150	85.7	34.1	34.1	17.5	86	20	NA-213	P-213	6.5

Inch Bore Also Available

Metric Bearing Unit

NAPK 200

Pillow Blocks (Low Shaft Height With Eccentric Locking Collar, Normal-Duty)



Metric Bore

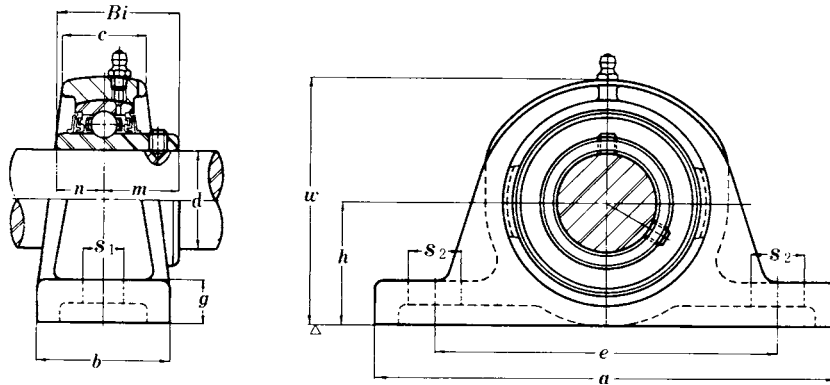
Part No.	Shaft Ø d	h	a	e	b	S ₂	S ₁	g	w	Bi	n	m	i	K	Bolt Used	Bearing No.	Housing No.	Weight kg
NAPK-201-12	12	31.8	133	98	41	14	11	14	63	43.5	17.0	17.0	9.5	33.3	10	NA-201	PK-204	1.0
NAPK-202-15	15	31.8	133	98	41	14	11	14	63	43.5	17.0	17.0	9.5	33.3	10	NA-202	PK-204	1.0
NAPK-203-17	17	31.8	133	98	41	14	11	14	63	43.5	17.0	17.0	9.5	33.3	10	NA-203	PK-204	1.0
NAPK-204-20	20	31.8	133	98	41	14	11	14	63	43.5	17.0	17.0	9.5	33.3	10	NA-204	PK-204	1.0
NAPK-205-25	25	33.3	140	105	44	14	11	16	68	44.3	17.4	17.4	9.5	38.1	10	NA-205	PK-205	1.2
NAPK-206-30	30	39.7	160	121	48	19	14	17	80	48.3	18.2	18.2	11.9	44.5	13	NA-206	PK-206	1.7
NAPK-207-35	35	46.0	167	127	48	19	14	19	92	51.1	18.8	18.8	13.5	55.6	13	NA-207	PK-207	2.4
NAPK-208-40	40	49.2	181	140	54	19	14	19	100	56.3	21.4	21.4	13.5	60.3	13	NA-208	PK-208	3.0
NAPK-209-45	45	52.4	190	146	54	19	14	20	106	56.3	21.4	21.4	13.5	63.5	13	NA-209	PK-209	3.3
NAPK-210-50	50	55.6	203	159	57	19	14	22	112	62.7	24.6	24.6	13.5	69.9	13	NA-210	PK-210	3.9
NAPK-211-55	55	61.9	232	181	60	24	18	25	125	71.4	27.7	27.7	16.0	76.2	16	NA-211	PK-211	5.6
NAPK-212-60	60	68.3	241	191	64	24	18	28	136	77.8	30.9	30.9	16.0	84.2	16	NA-212	PK-212	6.3

Inch Bore Also Available

Metric Bearing Unit

SL 200

Pillow Blocks (Normal-Duty)



Metric Bore

Part No.	Shaft		a	e	b	S ₂	S ₁	g	w	c	Bi	n	m	Bolt Used	Bearing No.	Housing No.	Weight kg
	Ød	h															
SL-201-12	12	27.0	121	89	29	16	11	13	56	22	26.59	11.11	15.48	8	SN-201	SL-203	0.53
SL-202-15	15	27.0	121	89	29	16	11	13	56	22	26.59	11.11	15.48	8	SN-202	SL-203	0.53
SL-203-17	17	27.0	121	89	29	16	11	13	56	22	26.59	11.11	15.48	8	SN-203	SL-203	0.53
SL-204-20	20	31.8	133	98.5	32	19	11	13	62.8	25	31.00	12.70	18.30	8	UC-204	SL-204	0.73
SL-205-25	25	33.3	140	105	38	19	11	16	67.8	25	34.00	14.30	19.70	8	UC-205	SL-205	0.95
SL-206-30	30	39.7	165	124	41	22	14	17.5	81	30	38.10	15.90	22.20	12	UC-206	SL-206	1.3
SL-207-35	35	46.0	178	136.5	48	22	14	19	91.5	32	42.90	17.50	25.40	12	UC-207	SL-207	1.9
SL-208-40	40	49.2	184	143	51	22	14	21	100	33	49.20	19.00	30.20	12	UC-208	SL-208	2.2
SL-209-45	45	52.4	197	152	54	26	14	21	104.4	33.5	49.20	19.00	30.20	12	UC-209	SL-209	2.8
SL-210-50	50	55.6	213	165	57	26	14	22	113	37	51.60	19.00	32.60	12	UC-210	SL-210	3.1
SL-211-55	55	61.9	235	184	64	29	17	25	123.4	39	55.60	22.20	33.40	14	UC-211	SL-211	4.1
SL-212-60	60	68.3	248	194	70	29	17	29	138	46	65.10	25.40	39.70	14	UC-212	SL-212	5.3
SL-213-65	65	68.3	248	194	70	29	17	29	143	46	65.10	25.40	39.70	14	UC-213	SL-213	6.4
SL-214-70	70	82.6	298	232	82	32	21	33	160	50	74.60	30.20	44.40	18	UC-214	SL-214	7.6
SL-215-75	75	82.6	298	232	82	32	21	33	163	50	77.80	33.30	44.50	18	UC-215	SL-215	9.4

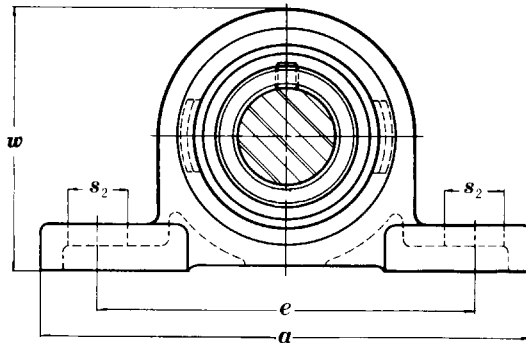
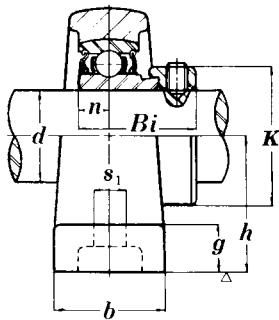
Covers are also available by special request.

Inch Bore Also Available

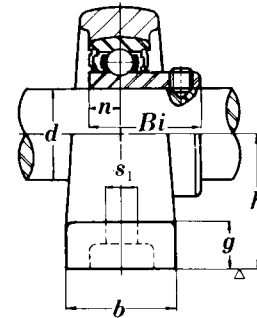
Metric Bearing Unit

Pillow Blocks (Light-Duty)

ALP 2 (SA2-Fitted)



BLP 2 (SB2-Fitted)



Metric Bore

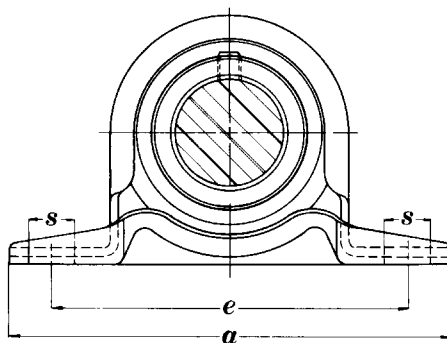
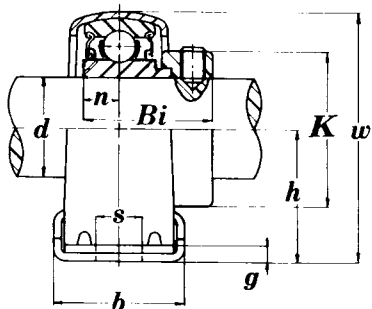
Part No.	Shaft Ød	h	a	e	b	S ₂	S ₁	g	w	n	Bolt Used	Bi	K	Bearing No.	Housing No.	Weight kg
ALP-201-12	12	30.2	114	87	25	16	11	12	57	6.0	10	28.5	28.6	SA-201	LP-203	0.39
ALP-202-15	15	30.2	114	87	25	16	11	12	57	6.0	10	28.5	28.6	SA-202	LP-203	0.39
ALP-203-17	17	30.2	114	87	25	16	11	12	57	6.0	10	28.5	28.6	SA-203	LP-203	0.39
ALP-204-20	20	33.3	125	97	27	16	11	13	65	7.0	10	29.5	33.3	SA-204	LP-204	0.51
ALP-205-25	25	36.5	130	100	29	16	11	13	71	7.5	10	30.5	38.1	SA-205	LP-205	0.61
ALP-206-30	30	42.9	156	120	33	21	14	14	83	8.0	13	33.9	44.5	SA-206	LP-206	0.72
ALP-207-35	35	47.6	165	127	35	21	14	16	93	8.5	13	36.5	55.6	SA-207	LP-207	1.02
ALP-208-40	40	50.8	184	140	37	22	14	18	102	9.0	13	40.5	60.3	SA-208	LP-208	1.87
BLP-201-12	12	30.2	114	87	25	16	11	12	57	6.0	10	22.0		SB-201	LP-203	0.36
BLP-202-15	15	30.2	114	87	25	16	11	12	57	6.0	10	22.0		SB-202	LP-203	0.36
BLP-203-17	17	30.2	114	87	25	16	11	12	57	6.0	10	22.0		SB-203	LP-203	0.36
BLP-204-20	20	33.3	125	97	27	16	11	13	65	7.0	10	25.0		SB-204	LP-204	0.51
BLP-205-25	25	36.5	130	100	29	16	11	13	71	7.5	10	27.0		SB-205	LP-205	0.57
BLP-206-30	30	42.9	156	120	33	21	14	14	83	8.0	13	30.0		SB-206	LP-206	0.69
BLP-207-35	35	47.6	165	127	35	21	14	16	93	8.5	13	32.0		SB-207	LP-207	0.94
BLP-208-40	40	50.8	184	140	37	22	14	18	102	9.0	13	34.0		SB-208	LP-208	1.80

Inch Bore Also Available

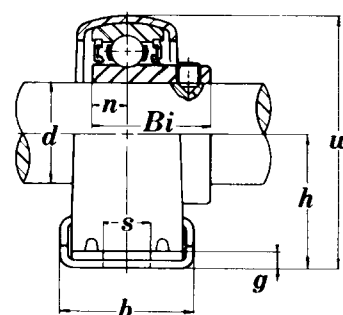
Metric Bearing Unit

Pressed Housing Pillow Blocks (Light-Duty)

SAPP 2 f (SA2-Fitted)



SBPP 2 f (SB2-Fitted)



Metric Bore

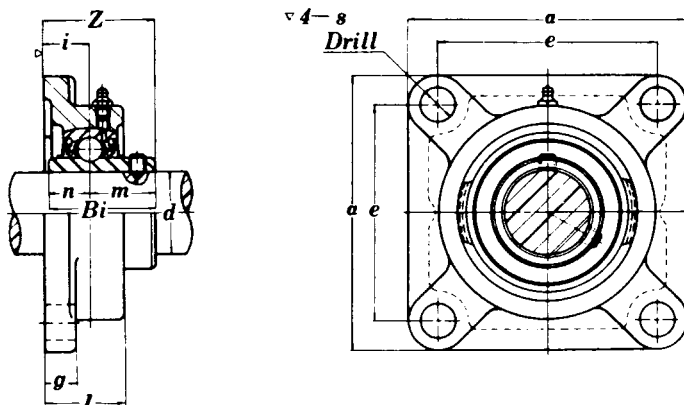
Part No.	Shaft Ød	h	a	e	b	s	g	w	n	Bolt Used	Bi	K	Bearing No.	Housing No.	Weight kg
SAPP-201-12	12	22.2	86	68	25	9.5	3.2	43.8	6.0	8	28.5	28.6	SA-201	PP-203F	0.19
SAPP-202-15	15	22.2	86	68	25	9.5	3.2	43.8	6.0	8	28.5	28.6	SA-202	PP-203F	0.19
SAPP-203-17	17	22.2	86	68	25	9.5	3.2	43.8	6.0	8	28.5	28.6	SA-203	PP-203F	0.19
SAPP-204-20	20	25.4	98	76	32	9.5	3.2	50.5	7.0	8	29.5	33.3	SA-204	PP-204F	0.23
SAPP-205-25	25	28.6	108	86	32	11.5	4.0	56.6	7.5	10	30.5	38.1	SA-205	PP-205F	0.32
SAPP-206-30	30	33.3	117	95	38	11.5	4.0	66.3	8.0	10	33.9	44.5	SA-206	PP-206F	0.50
SBPP-201-12	12	22.2	86	68	25	9.5	3.2	43.8	6.0	8	28.5		SB-201	PP-203F	0.16
SBPP-202-15	15	22.2	86	68	25	9.5	3.2	43.8	6.0	8	28.5		SB-202	PP-203F	0.16
SBPP-203-17	17	22.2	86	68	25	9.5	3.2	43.8	6.0	8	28.5		SB-203	PP-203F	0.16
SBPP-204-20	20	25.4	98	76	32	9.5	3.2	50.5	7.0	8	29.5		SB-204	PP-204F	0.23
SBPP-205-25	25	28.6	108	86	32	11.5	4.0	56.6	7.5	10	30.5		SB-205	PP-205F	0.28
SBPP-206-30	30	33.3	117	95	38	11.5	4.0	66.3	8.0	10	33.9		SB-206	PP-206F	0.47

Inch Bore Also Available

Metric Bearing Unit

UCF 200

Flange Units (Square, Normal-Duty)



Metric Bore

Part No.	Shaft Ø d	a	e	i	g	l	s	Z	Bi	n	m	Bolt Used	Bearing No.	Housing No.	Weight kg
UCF-201-12	12	86	64	15	11	25.5	12	33.3	31.0	12.7	18.3	10	UC-201	F-204	0.62
UCF-202-15	15	86	64	15	11	25.5	12	33.3	31.0	12.7	18.3	10	UC-202	F-204	0.62
UCF-203-17	17	86	64	15	11	25.5	12	33.3	31.0	12.7	18.3	10	UC-203	F-204	0.62
UCF-204-20	20	86	64	15	11	25.5	12	33.3	31.0	12.7	18.3	10	UC-204	F-204	0.62
UCF-205-25	25	95	70	16	13	27	12	35.7	34.0	14.3	19.7	10	UC-205	F-205	0.83
UCF-206-30	30	108	83	18	13	31	12	40.2	38.1	15.9	22.2	10	UC-206	F-206	1.1
UCF-207-35	35	117	92	19	15	34	14	44.4	42.9	17.5	25.4	12	UC-207	F-207	1.5
UCF-208-40	40	130	102	21	15	36	16	51.2	49.2	19.0	30.2	14	UC-208	F-208	1.9
UCF-209-45	45	137	105	22	16	38	16	52.2	49.2	19.0	30.2	14	UC-209	F-209	2.2
UCF-210-50	50	143	111	22	16	40	16	54.6	51.6	19.0	32.6	14	UC-210	F-210	2.5
UCF-211-55	55	162	130	25	18	43	19	58.4	55.6	22.2	33.4	16	UC-211	F-211	3.4
UCF-212-60	60	175	143	29	18	48	19	68.7	65.1	25.4	39.7	16	UC-212	F-212	4.2
UCF-213-65	65	187	149	30	22	50	19	69.7	65.1	25.4	39.7	16	UC-213	F-213	5.2
UCF-214-70	70	193	152	31	22	54	19	75.4	74.6	30.2	44.4	16	UC-214	F-214	5.9
UCF-215-75	75	200	159	34	22	56	19	78.5	77.8	33.3	44.5	16	UC-215	F-215	6.4
UCF-216-80	80	208	165	34	22	58	23	83.3	82.6	33.3	49.3	20	UC-216	F-216	7.3
UCF-217-85	85	220	175	36	24	63	23	87.6	85.7	34.1	51.6	20	UC-217	F-217	8.9
UCF-218-90	90	235	187	40	25	68	23	96.3	96.0	39.7	56.3	20	UC-218	F-218	11.4

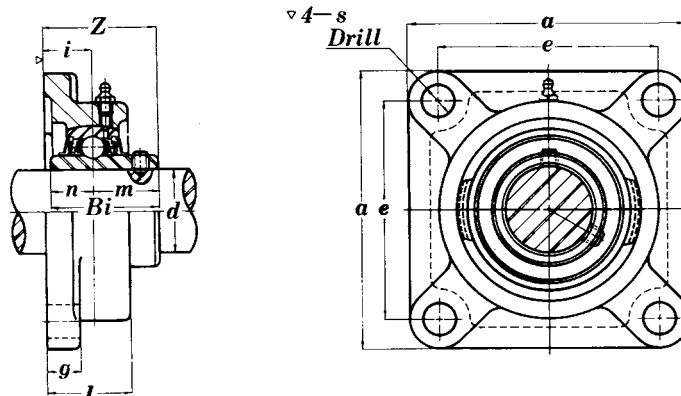
Covers are also available by special request.

Inch Bore and Stainless Steel Also Available

Metric Bearing Unit

UCF 300

Flange Units (Square, Heavy-Duty)



Metric Bore

Part No.	Shaft Ø d	a	e	i	g	l	s	Z	Bi	n	m	Bolt Used	Bearing No.	Housing No.	Weight kg
UCF-305-25	25	110	80	16	13	29	16	39	38	15	23	14	UC-305	F-305	1.3
UCF-306-30	30	125	95	18	15	32	16	44	43	17	26	14	UC-306	F-306	1.9
UCF-307-35	35	135	100	20	16	36	19	49	48	19	29	16	UC-307	F-307	2.3
UCF-308-40	40	150	112	23	17	40	19	56	52	19	33	16	UC-308	F-308	3.1
UCF-309-45	45	160	125	25	18	44	19	60	57	22	35	16	UC-309	F-309	4.0
UCF-310-50	50	175	132	28	19	48	23	67	61	22	39	20	UC-310	F-310	5.1
UCF-311-55	55	185	140	30	20	52	23	71	66	25	41	20	UC-311	F-311	5.6
UCF-312-60	60	195	150	33	22	56	23	78	71	26	45	20	UC-312	F-312	6.9
UCF-313-65	65	208	166	33	22	58	23	78	75	30	45	20	UC-313	F-313	7.8
UCF-314-70	70	226	178	36	25	61	25	81	78	33	45	22	UC-314	F-314	10.1
UCF-315-75	75	236	184	39	25	66	25	89	82	32	50	22	UC-315	F-315	11.6
UCF-316-80	80	250	196	38	27	68	31	90	86	34	52	27	UC-316	F-316	12.8
UCF-317-85	85	260	204	44	27	74	31	100	96	40	56	27	UC-317	F-317	15.3
UCF-318-90	90	280	216	44	30	76	35	100	96	40	56	30	UC-318	F-318	18.9
UCF-319-95	95	290	228	59	30	94	35	121	103	41	62	30	UC-319	F-319	21.6
UCF-320-100	100	310	242	59	32	94	38	125	108	42	66	33	UC-320	F-320	25.8
UCF-322-110	110	340	266	60	35	96	41	131	117	46	71	36	UC-322	F-322	35.3
UCF-324-120	120	370	290	65	40	110	41	140	126	51	75	36	UC-324	F-324	47.3
UCF-326-130	130	410	320	65	45	115	41	146	135	54	81	36	UC-326	F-326	65.5
UCF-328-140	140	450	350	75	55	125	41	161	145	59	86	36	UC-328	F-328	93.4

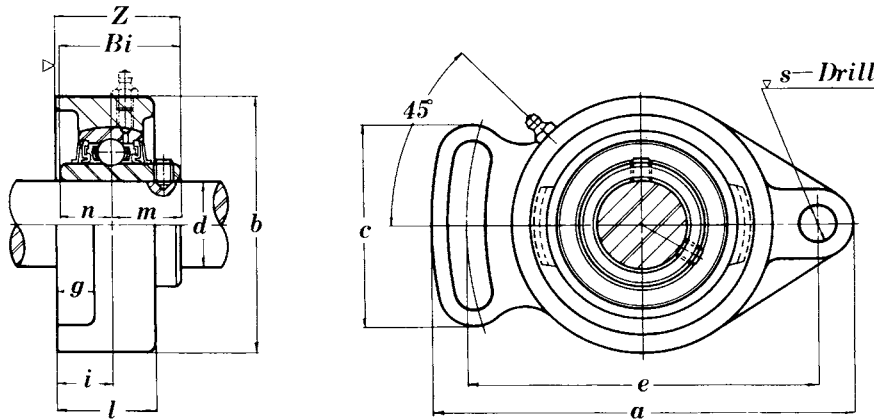
Covers are also available by special request.

Inch Bore Also Available

Metric Bearing Unit

UCFA 200

Flange Units (Normal-Duty)



Metric Bore

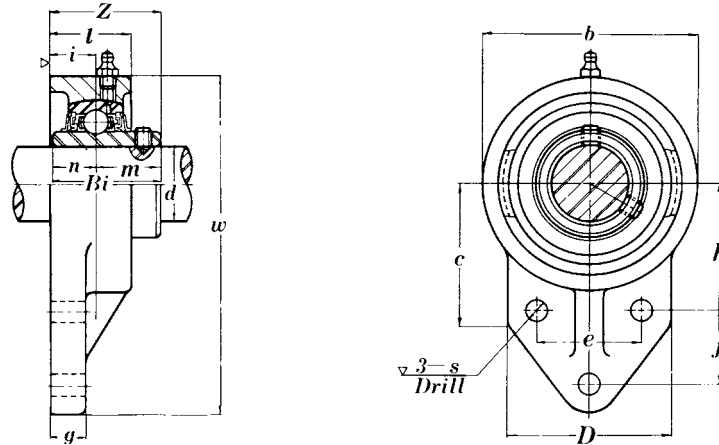
Part No.	Shaft Ø d	a	e	i	g	l	s	b	Z	c	Bi	n	m	Bolt Used	Bearing No.	Hous- ing	Weight kg
UCFA-201-12	12	98	78	13.8	11	24	10	59	32.1	50	31.0	12.7	18.3	8	UC-201	FA-204	0.47
UCFA-202-15	15	98	78	13.8	11	24	10	59	32.1	50	31.0	12.7	18.3	8	UC-202	FA-204	0.47
UCFA-203-17	17	98	78	13.8	11	24	10	59	32.1	50	31.0	12.7	18.3	8	UC-203	FA-204	0.47
UCFA-204-20	20	98	78	13.8	11	24	10	59	32.1	50	31.0	12.7	18.3	8	UC-204	FA-204	0.47
UCFA-205-25	25	124	98	16.0	13	27	11	70	35.7	64	34.0	14.3	19.7	10	UC-205	FA-205	0.68
UCFA-206-30	30	141	117	17.8	13	30	11	83	40.0	68	38.1	15.9	22.2	10	UC-206	FA-206	1.0
UCFA-207-35	35	155	130	18.6	14	34	13	96	44.0	75	42.9	17.5	25.4	12	UC-207	FA-207	1.5
UCFA-208-40	40	171	144	20.8	14	38	13	105	51.0	84	49.2	19.0	30.2	12	UC-208	FA-208	1.9
UCFA-209-45	45	179	148	21.8	14	40	15	111	52.0	88	49.2	19.0	30.2	14	UC-209	FA-209	1.7
UCFA-210-50	50	189	157	22.5	14	40	15	116	55.1	92	51.6	19.0	32.6	14	UC-210	FA-210	2.0
UCFA-211-55	55	216	184	25.7	20	44	16	133	59.1	102	55.6	22.2	33.4	15	UC-211	FA-211	3.6

Inch Bore Also Available

Metric Bearing Unit

UCFB 200

Flange Units (Normal-Duty)



Metric Bore

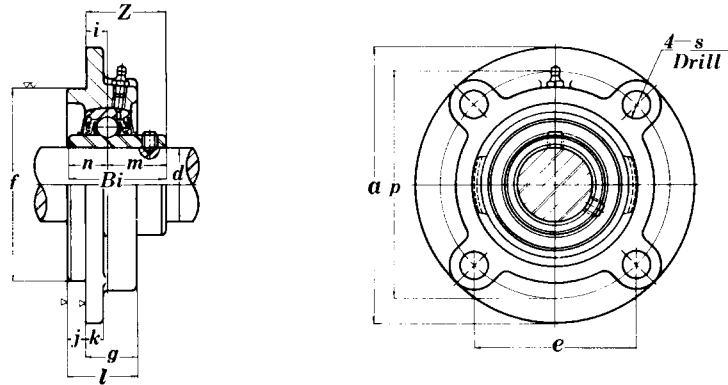
Part No.	Shaft Ø d	w	b	c	D	l	s	g	h	j	e	Z	Bi	n	Bolt Used	Bear- ing No.	Hous- ing	Weight kg
UCFB-201-12	12	110	62	52	52	24	9.5	13	42	27	32	31.8	31.0	12.7	8	UC-201	FB-204	0.64
UCFB-202-15	15	110	62	52	52	24	9.5	13	42	27	32	31.8	31.0	12.7	8	UC-202	FB-204	0.64
UCFB-203-17	17	110	62	52	52	24	9.5	13	42	27	32	31.8	31.0	12.7	8	UC-203	FB-204	0.64
UCFB-204-20	20	110	62	52	52	24	9.5	13	42	27	32	31.8	31.0	12.7	8	UC-204	FB-204	0.64
UCFB-205-25	25	116	68	52	56	26	9.5	13	45	27	34	34.7	34.0	14.3	8	UC-205	FB-205	0.68
UCFB-206-30	30	130	78	55	65	29	9.5	13	50	29	40	39.2	38.1	15.9	8	UC-206	FB-206	0.92
UCFB-207-35	35	144	90	62	70	33	9.5	15	55	32	46	44.4	42.9	17.5	8	UC-207	FB-207	1.3
UCFB-208-40	40	164	100	72	78	34	11.1	16	60	41	50	50.2	49.2	19.0	10	UC-208	FB-208	1.8
UCFB-209-45	45	174	106	76	80	34	11.1	18	65	43	54	50.2	49.2	19.0	10	UC-209	FB-209	2.0
UCFB-210-50	50	184	112	82	86	35	11.1	18	68	46	58	52.6	51.6	19.0	10	UC-210	FB-210	2.3

Inch Bore Also Available

Metric Bearing Unit

UCFC 200

Flange Cartridge Units (Normal-Duty)



Metric Bore

Part No.	Shaft Ø d	a	p	e	i	l	j	k	g	f	Z	Bi	n	m	Bolt Used	Bearing No.	Housing No.	Weight kg
UCFC-201-12	12	100	78	55.1	10	25.5	5	7	20.5	62	28.3	31.0	12.7	18.3	10	UC-201	FC-204	0.78
UCFC-202-15	15	100	78	55.1	10	25.5	5	7	20.5	62	28.3	31.0	12.7	18.3	10	UC-202	FC-204	0.78
UCFC-203-17	17	100	78	55.1	10	25.5	5	7	20.5	62	28.3	31.0	12.7	18.3	10	UC-203	FC-204	0.78
UCFC-204-20	20	100	78	55.1	10	25.5	5	7	20.5	62	28.3	31.0	12.7	18.3	10	UC-204	FC-204	0.78
UCFC-205-25	25	115	90	63.6	10	27	6	7	21	70	29.7	34.0	14.3	19.7	10	UC-205	FC-205	0.95
UCFC-206-30	30	125	100	70.7	10	31	8	8	23	80	32.2	38.1	15.9	22.2	10	UC-206	FC-206	1.3
UCFC-207-35	35	135	110	77.8	11	34	8	9	26	90	36.4	42.9	17.5	25.4	12	UC-207	FC-207	1.7
UCFC-208-40	40	145	120	84.8	11	36	10	9	26	100	41.2	49.2	19.0	30.2	12	UC-208	FC-208	2.0
UCFC-209-45	45	160	132	93.3	10	38	12	14	26	105	40.2	49.2	19.0	30.2	14	UC-209	FC-209	2.6
UCFC-210-50	50	165	138	97.6	10	40	12	14	28	110	42.6	51.6	19.0	32.6	14	UC-210	FC-210	2.9
UCFC-211-55	55	185	150	106.1	13	43	12	15	31	125	46.4	55.6	22.2	33.4	16	UC-211	FC-211	4.2
UCFC-212-60	60	195	160	113.1	17	48	12	15	36	135	56.7	65.1	25.4	39.7	16	UC-212	FC-212	5.0
UCFC-213-65	65	205	170	120.2	16	50	14	15	36	145	55.7	65.1	25.4	39.7	16	UC-213	FC-213	5.6
UCFC-214-70	70	215	177	125.1	17	54	14	18	40	150	61.4	74.6	30.2	44.4	16	UC-214	FC-214	6.8
UCFC-215-75	75	220	184	130.1	18	56	16	18	40	160	62.5	77.8	33.3	44.5	16	UC-215	FC-215	7.2
UCFC-216-80	80	240	200	141.4	18	58	16	18	42	170	67.3	82.6	33.3	49.3	20	UC-216	FC-216	8.7
UCFC-217-85	85	250	208	147.1	18	63	18	20	45	180	69.6	85.7	34.1	51.6	20	UC-217	FC-217	10.3
UCFC-218-90	90	265	220	155.5	22	68	18	20	50	190	78.3	96.0	39.7	56.3	20	UC-218	FC-218	13.3

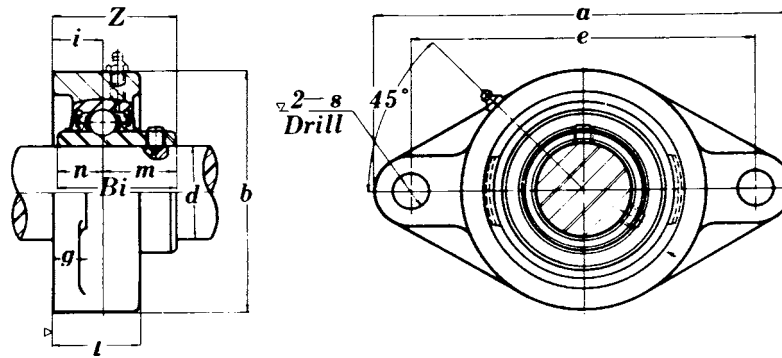
Covers are also available by special request.

Inch Bore Also Available

Metric Bearing Unit

UCFL 200

Flange Units (Oval, Normal-Duty)



Metric Bore

Part No.	Shaft Ø d	a	e	i	g	l	s	b	Z	Bi	n	m	Bolt Used	Bearing No.	Housing No.	Weight kg
UCFL-201-12	12	113	90	15	11	25.5	12	60	33.3	31.0	12.7	18.3	10	UC-201	FL-204	0.48
UCFL-202-15	15	113	90	15	11	25.5	12	60	33.3	31.0	12.7	18.3	10	UC-202	FL-204	0.48
UCFL-203-17	17	113	90	15	11	25.5	12	60	33.3	31.0	12.7	18.3	10	UC-203	FL-204	0.48
UCFL-204-20	20	113	90	15	11	25.5	12	60	33.3	31.0	12.7	18.3	10	UC-204	FL-204	0.48
UCFL-205-25	25	130	99	16	13	27	16	68	35.7	34.0	14.3	19.7	14	UC-205	FL-205	0.64
UCFL-206-30	30	148	117	18	13	31	16	80	40.2	38.1	15.9	22.2	14	UC-206	FL-206	0.93
UCFL-207-35	35	161	130	19	14	34	16	90	44.4	42.9	17.5	25.4	14	UC-207	FL-207	1.2
UCFL-208-40	40	175	144	21	14	36	16	100	51.2	49.2	19.0	30.2	14	UC-208	FL-208	1.6
UCFL-209-45	45	188	148	22	15	38	19	108	52.2	49.2	19.0	30.2	16	UC-209	FL-209	1.9
UCFL-210-50	50	197	157	22	15	40	19	115	54.6	51.6	19.0	32.6	16	UC-210	FL-210	2.2
UCFL-211-55	55	224	184	25	18	43	19	130	58.4	55.6	22.2	33.4	16	UC-211	FL-211	3.3
UCFL-212-60	60	250	202	29	18	48	23	140	68.7	65.1	25.4	39.7	20	UC-212	FL-212	4.2
UCFL-213-65	65	258	210	30	20	50	23	155	69.7	65.1	25.4	39.7	20	UC-213	FL-213	5.1
UCFL-214-70	70	265	216	31	20	54	23	160	75.4	74.6	30.2	44.4	20	UC-214	FL-214	5.7
UCFL-215-75	75	275	225	34	20	56	23	165	78.5	77.8	33.3	44.5	20	UC-215	FL-215	6.4
UCFL-216-80	80	290	233	34	20	58	25	180	83.3	82.6	33.3	49.3	22	UC-216	FL-216	7.8
UCFL-217-85	85	305	248	36	22	63	25	190	87.6	85.7	34.1	51.6	22	UC-217	FL-217	9.8
UCFL-218-90	90	320	265	40	23	68	25	205	96.3	96.0	39.7	56.3	22	UC-218	FL-218	12.3

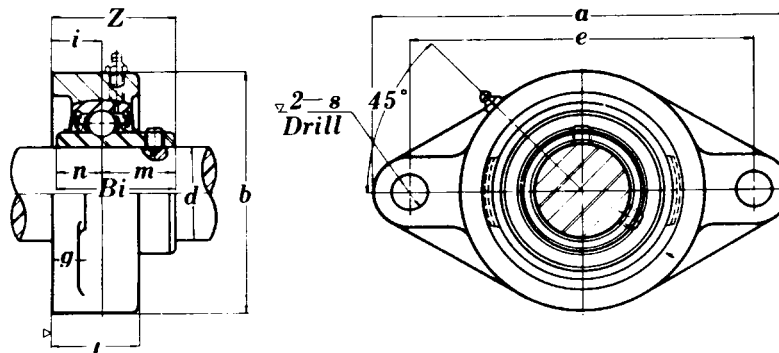
Covers are also available by special request.

Inch Bore and Stainless Steel Also Available

Metric Bearing Unit

UCFL 300

Flange Units (Oval, Heavy-Duty)



Metric Bore

Part No.	Shaft Ø d	a	e	i	g	l	s	b	Z	Bi	n	m	Bolt Used	Bearing No.	Housing No.	Weight kg
UCFL-305-25	25	150	113	16	13	29	19	80	39	38	15	23	16	UC-305	FL-305	1.1
UCFL-306-30	30	180	134	18	15	32	23	90	44	43	17	26	20	UC-306	FL-306	1.5
UCFL-307-35	35	185	141	20	16	36	23	100	49	48	19	29	20	UC-307	FL-307	1.8
UCFL-308-40	40	200	158	23	17	40	23	112	56	52	19	33	20	UC-308	FL-308	2.5
UCFL-309-45	45	230	177	25	18	44	25	125	60	57	22	35	22	UC-309	FL-309	3.5
UCFL-310-50	50	240	187	28	19	48	25	140	67	61	22	39	22	UC-310	FL-310	4.4
UCFL-311-55	55	250	198	30	20	52	25	150	71	66	25	41	22	UC-311	FL-311	5.3
UCFL-312-60	60	270	212	33	22	56	31	160	78	71	26	45	27	UC-312	FL-312	6.5
UCFL-313-65	65	295	240	33	25	58	31	175	78	75	30	45	27	UC-313	FL-313	8.5
UCFL-314-70	70	315	250	36	28	61	35	185	81	78	33	45	30	UC-314	FL-314	9.7
UCFL-315-75	75	320	260	39	30	66	35	195	89	82	32	50	30	UC-315	FL-315	11.3
UCFL-316-80	80	355	285	38	32	68	38	210	90	86	34	52	33	UC-316	FL-316	14.4
UCFL-317-85	85	370	300	44	32	74	38	220	100	96	40	56	33	UC-317	FL-317	16.0
UCFL-318-90	90	385	315	44	36	76	38	235	100	96	40	56	33	UC-318	FL-318	19.0
UCFL-319-95	95	405	330	59	40	94	41	250	121	103	41	62	36	UC-319	FL-319	24.6
UCFL-320-100	100	440	360	59	40	94	44	270	125	108	42	66	39	UC-320	FL-320	29.4
UCFL-322-110	110	470	390	60	42	96	44	300	131	117	46	71	39	UC-322	FL-322	36.2
UCFL-324-120	120	520	430	65	48	110	47	330	140	126	51	75	42	UC-324	FL-324	51.6
UCFL-326-130	130	550	460	65	50	115	47	360	146	135	54	81	42	UC-326	FL-326	61.6
UCFL-328-140	140	600	500	75	60	125	51	400	161	145	59	86	45	UC-328	FL-328	68.4

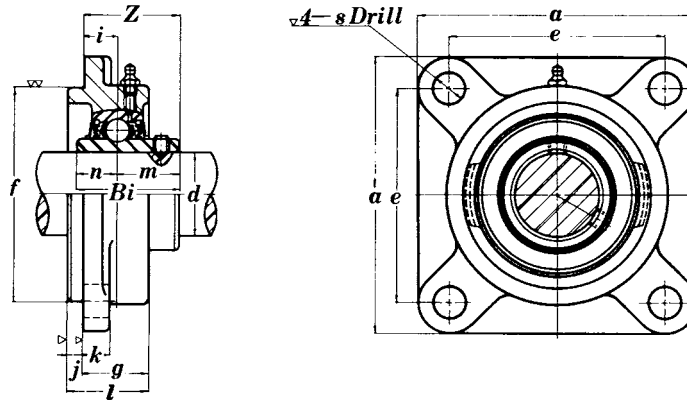
Covers are also available by special request.

Inch Bore Also Available

Metric Bearing Unit

UCFS 300

Flange Cartridge Units (Heavy-Duty)



Metric Bore

Part No.	Shaft Ø d	a	e	i	l	s	j	k	g	f	Z	Bi	n	m	Bolt Used	Bearing No.	Housing No.	Weight kg
UCFS-305-25	25	110	80	9	29	16	7	13	22	80	32	38	15	23	14	UC-305	FS-305	1.4
UCFS-306-30	30	125	95	10	32	16	8	15	24	90	36	43	17	26	14	UC-306	FS-306	1.9
UCFS-307-35	35	135	100	11	36	19	9	16	27	100	40	48	19	29	16	UC-307	FS-307	2.3
UCFS-308-40	40	150	112	13	40	19	10	17	30	115	46	52	19	33	16	UC-308	FS-308	3.4
UCFS-309-45	45	160	125	14	44	19	11	18	33	125	49	57	22	35	16	UC-309	FS-309	4.4
UCFS-310-50	50	175	132	16	48	23	12	19	36	140	55	61	22	39	20	UC-310	FS-310	5.3
UCFS-311-55	55	185	140	17	52	23	13	20	39	150	58	66	25	41	20	UC-311	FS-311	6.1
UCFS-312-60	60	195	150	19	56	23	14	22	42	160	64	71	26	45	20	UC-312	FS-312	7.4
UCFS-313-65	65	208	166	15	58	23	18	22	40	175	60	75	30	45	20	UC-313	FS-313	8.8
UCFS-314-70	70	226	178	18	61	25	18	25	43	185	63	78	33	45	22	UC-314	FS-314	11.2
UCFS-315-75	75	236	184	21	66	25	18	25	48	200	71	82	32	50	22	UC-315	FS-315	13.7
UCFS-316-80	80	250	196	18	68	31	20	27	48	210	70	86	34	52	27	UC-316	FS-316	15.1
UCFS-317-85	85	260	204	24	74	31	20	27	54	220	80	96	40	56	27	UC-317	FS-317	17.3
UCFS-318-90	90	280	216	24	76	35	20	30	56	240	80	96	40	56	30	UC-318	FS-318	21.3
UCFS-319-95	95	290	228	39	94	35	20	30	74	250	101	103	41	62	30	UC-319	FS-319	24.5
UCFS-320-100	100	310	242	39	94	38	20	32	74	260	105	108	42	66	33	UC-320	FS-320	29.5
UCFS-322-110	110	340	266	35	96	41	25	35	71	300	106	117	46	71	36	UC-322	FS-322	39
UCFS-324-120	120	370	290	35	110	41	30	40	80	330	110	126	51	75	36	UC-324	FS-324	50.6
UCFS-326-130	130	410	320	35	115	41	30	45	85	360	116	135	54	81	36	UC-326	FS-326	67.7
UCFS-328-140	140	450	350	45	125	41	30	55	95	400	131	145	59	86	36	UC-328	FS-328	94

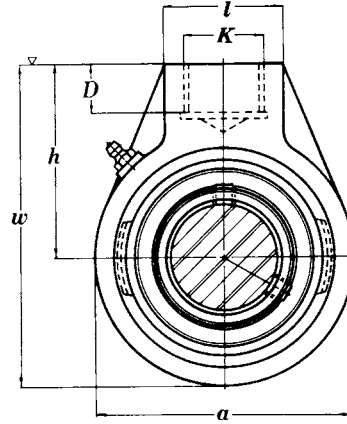
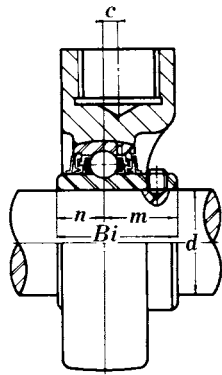
Covers are also available by special request.

Inch Bore Also Available

Metric Bearing Unit

UCHA 200

Screw Conveyor Hanger Units (Normal-Duty)



Metric Bore

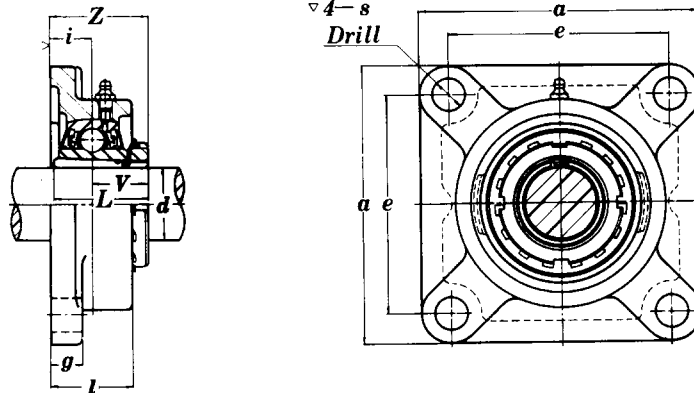
Part No.	Shaft Ø d	a	w	c	h	l	D	K	Bi	n	m	Bearing No.	Housing No.	Weight kg
UCHA-201-12	12	64	96	0	64	40	19	19	31.0	12.7	18.3	UC-201	HA-204	0.77
UCHA-202-15	15	64	96	0	64	40	19	19	31.0	12.7	18.3	UC-202	HA-204	0.77
UCHA-203-17	17	64	96	0	64	40	19	19	31.0	12.7	18.3	UC-203	HA-204	0.77
UCHA-204-20	20	64	96	0	64	40	19	19	31.0	12.7	18.3	UC-204	HA-204	0.77
UCHA-205-25	25	78	103	0	64	40	19	19	34.0	14.3	19.7	UC-205	HA-205	0.87
UCHA-206-30	30	78	103	0	64	40	19	19	38.1	15.9	22.2	UC-206	HA-206	0.83
UCHA-207-35	35	92	116	0	70	40	19	19	42.9	17.5	25.4	UC-207	HA-207	1.2
UCHA-208-40	40	96	121	2	73	40	19	19	49.2	19.0	30.2	UC-208	HA-208	1.3
UCHA-209-45	45	108	136	5	82	48	21	25	49.2	19.0	30.2	UC-209	HA-209	1.7
UCHA-210-50	50	118	142	5	83	48	21	25	51.6	19.0	32.6	UC-210	HA-210	2.1
UCHA-211-55	55	126	150	7	87	60	25	32	55.6	22.2	33.4	UC-211	HA-211	2.8
UCHA-212-60	60	142	173	9	102	60	28	32	65.1	25.4	39.7	UC-212	HA-212	3.9
UCHA-213-65	65	166	200	9.5	117	70	32	38	65.1	25.4	39.7	UC-213	HA-213	5.8
UCHA-214-70	70	166	200	9.5	117	70	32	38	74.6	30.2	44.4	UC-214	HA-214	5.9
UCHA-215-75	75	166	200	9.5	117	70	32	38	77.8	33.3	44.5	UC-215	HA-215	5.6

Inch Bore Also Available

Metric Bearing Unit

UKF 200

Flange Units (Square, With Adapter Mounted, Normal-Duty)



Metric Bore

Part No.	Shaft Ø d	a	e	i	g	l	s	Z	L	V	Bolt Used	Bearing No.	Housing No.	Adapter No.	Weight kg
UKF-205-20	20	95	70	16	13	27	12	34.7	29	18.7	10	UK-205	F-205	H-305	0.87
UKF-206-25	25	108	83	18	13	31	12	37.7	31	19.7	10	UK-206	F-206	H-306	1.3
UKF-207-30	30	117	92	19	15	34	14	41.2	35	22.2	12	UK-207	F-207	H-307	1.6
UKF-208-35	35	130	102	21	15	36	16	44.7	36	23.7	14	UK-208	F-208	H-308	1.9
UKF-209-40	40	137	105	22	16	38	16	47.2	39	25.7	14	UK-209	F-209	H-309	2.3
UKF-210-45	45	143	111	22	16	40	16	48.7	42	26.7	14	UK-210	F-210	H-310	2.6
UKF-211-50	50	162	130	25	18	43	19	52.7	45	27.7	16	UK-211	F-211	H-311	3.5
UKF-212-55	55	175	143	29	18	48	19	58.0	47	29.0	16	UK-212	F-212	H-312	4.1
UKF-213-60	60	187	149	30	22	50	19	61.5	50	31.5	16	UK-213	F-213	H-313	5.1
UKF-215-65	65	200	159	34	22	56	19	68.5	55	34.5	16	UK-215	F-215	H-315	6.5
UKF-216-70	70	208	165	34	22	58	23	71.8	59	37.8	20	UK-216	F-216	H-316	7.6
UKF-217-75	75	220	175	36	24	63	23	75.8	63	39.8	20	UK-217	F-217	H-317	9.0
UKF-218-80	80	235	187	40	25	68	23	81.8	65	41.8	20	UK-218	F-218	H-318	11.4

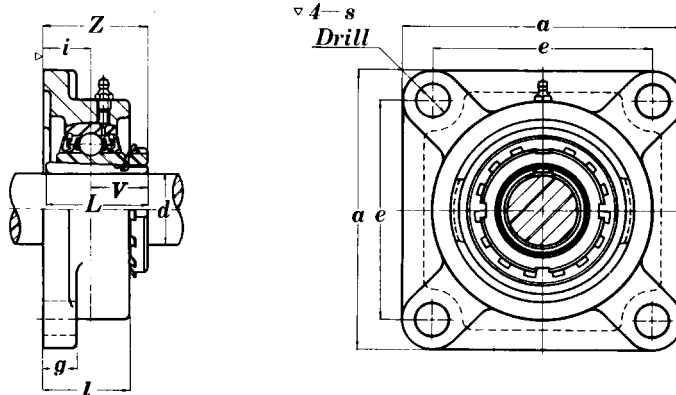
Covers are also available by special request.

Inch Bore Also Available

Metric Bearing Unit

UKF 300

Flange Units (Square, With Adapter Mounted, Heavy-Duty)



Metric Bore

Part No.	Shaft Ø d	a	e	i	g	l	s	Z	L	V	Bolt Used	Bearing No.	Housing No.	Adapter No.	Weight kg
UKF-305-20	20	110	80	16	13	29	16	37.7	35	21.7	14	UK-305	F-305	H-2305	1.4
UKF-306-25	25	125	95	18	15	32	16	41.2	38	23.2	14	UK-306	F-306	H-2306	1.9
UKF-307-30	30	135	100	20	16	36	19	45.7	43	25.7	16	UK-307	F-307	H-2307	2.3
UKF-308-35	35	150	112	23	17	40	19	50.7	46	27.7	16	UK-308	F-308	H-2308	3.1
UKF-309-40	40	160	125	25	18	44	19	55.2	50	30.2	16	UK-309	F-309	H-2309	4.1
UKF-310-45	45	175	132	28	19	48	23	60.2	55	32.2	20	UK-310	F-310	H-2310	5.1
UKF-311-50	50	185	140	30	20	52	23	63.7	59	33.7	20	UK-311	F-311	H-2311	5.9
UKF-312-55	55	195	150	33	22	56	23	69.0	62	36.0	20	UK-312	F-312	H-2312	6.8
UKF-313-60	60	208	166	33	22	58	23	71.0	65	38.0	20	UK-313	F-313	H-2313	7.9
UKF-315-65	65	236	184	39	25	66	25	81.0	73	42.0	22	UK-315	F-315	H-2315	11.7
UKF-316-70	70	250	196	38	27	68	31	82.3	78	44.3	27	UK-316	F-316	H-2316	12.9
UKF-317-75	75	260	204	44	27	74	31	91.8	82	47.8	27	UK-317	F-317	H-2317	15.2
UKF-318-80	80	280	216	44	30	76	35	91.8	86	47.8	30	UK-318	F-318	H-2318	19.0
UKF-319-85	85	290	228	59	30	94	35	110.8	90	51.8	30	UK-319	F-319	H-2319	21.9
UKF-320-90	90	310	242	59	32	94	38	112.8	97	53.8	33	UK-320	F-320	H-2320	25.4
UKF-322-100	100	340	266	60	35	96	41	119.8	105	59.8	36	UK-322	F-322	H-2322	35.2
UKF-324-110	110	370	290	65	40	110	41	130.5	112	65.5	36	UK-324	F-324	H-2324	47.6
UKF-326-115	115	410	320	65	45	115	41	131.5	121	66.5	36	UK-326	F-326	H-2326	65.3
UKF-328-125	125	450	350	75	55	125	41	147.5	131	72.5	36	UK-328	F-328	H-2328	93.4

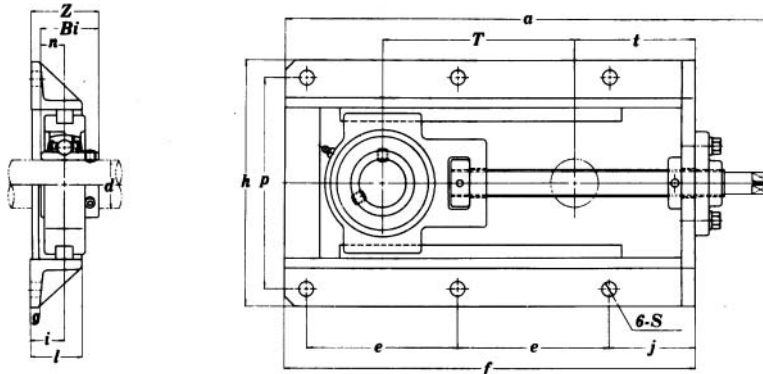
Covers are also available by special request.

Inch Bore Also Available

Metric Bearing Unit

UKFC 200

Flange Cartridge Units (With Adapter Mounted, Normal-Duty)



Metric Bore

Part No.	Shaft Ø d	a	p	e	i	l	s	j	k	g	f	Z	L	Bolt Used	Bearing No.	Housing No.	Adapter No.	Weight kg
UKFC-205-20	20	115	90	63.6	10	27	12	6	7	21	70	28.7	29	10	UK-205	FC-205	H-305	0.99
UKFC-206-25	25	125	100	70.7	10	31	12	8	8	23	80	29.7	31	10	UK-206	FC-206	H-306	1.3
UKFC-207-30	30	135	110	77.8	11	34	14	8	9	26	90	33.2	35	12	UK-207	FC-207	H-307	1.7
UKFC-208-35	35	145	120	84.8	11	36	14	10	9	26	100	34.7	36	12	UK-208	FC-208	H-308	2.0
UKFC-209-40	40	160	132	93.3	10	38	16	12	14	26	105	35.2	39	14	UK-209	FC-209	H-309	2.7
UKFC-210-45	45	165	138	97.6	10	40	16	12	14	28	110	36.7	42	14	UK-210	FC-210	H-310	3.0
UKFC-211-50	50	185	150	106.1	13	43	19	12	15	31	125	40.7	45	16	UK-211	FC-211	H-311	4.3
UKFC-212-55	55	195	160	113.1	17	48	19	12	15	36	135	46.0	47	16	UK-212	FC-212	H-312	4.9
UKFC-213-60	60	205	170	120.2	16	50	19	14	15	36	145	47.5	50	16	UK-213	FC-213	H-313	5.5
UKFC-215-65	65	220	184	130.1	18	56	19	16	18	40	160	52.5	55	16	UK-215	FC-215	H-315	7.4
UKFC-216-70	70	240	200	141.4	18	58	23	16	18	42	170	55.8	59	20	UK-216	FC-216	H-316	9.0
UKFC-217-75	75	250	208	147.1	18	63	23	18	20	45	180	57.8	63	20	UK-217	FC-217	H-317	10.4
UKFC-218-80	80	265	220	155.5	22	68	23	18	20	50	190	63.8	65	20	UK-218	FC-218	H-318	13.3

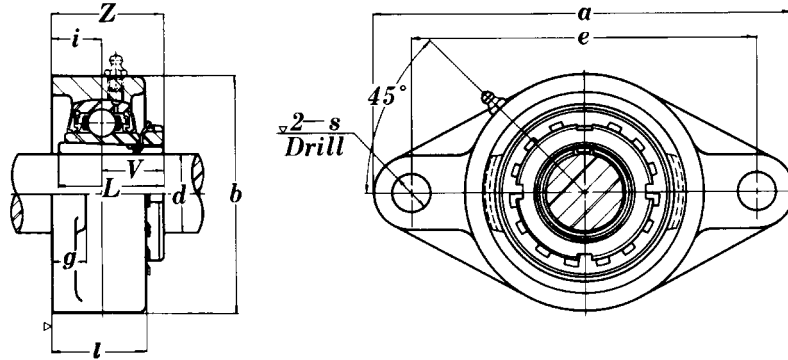
Covers are also available by special request.

Inch Bore Also Available

Metric Bearing Unit

UKFL 200

Flange Units (Oval, With Adapter Mounted, Normal-Duty)



Metric Bore

Part No.	Shaft Ø d	a	e	i	g	l	s	b	Z	L	V	Bolt Used	Bearing No.	Hous- ing	Adapt- er	Weight kg
UKFL-205-20	20	130	99	16	13	27	16	68	34.7	29	18.7	14	UK-205	FL-205	H-305	0.68
UKFL-206-25	25	148	117	18	13	31	16	80	37.7	31	19.7	14	UK-206	FL-206	H-306	0.97
UKFL-207-30	30	161	130	19	14	34	16	90	41.2	35	22.2	14	UK-207	FL-207	H-307	1.3
UKFL-208-35	35	175	144	21	14	36	16	100	44.7	36	23.7	14	UK-208	FL-208	H-308	1.6
UKFL-209-40	40	188	148	22	15	38	19	108	47.2	39	25.7	16	UK-209	FL-209	H-309	2.0
UKFL-210-45	45	197	157	22	15	40	19	115	48.7	42	26.7	16	UK-210	FL-210	H-310	2.3
UKFL-211-50	50	224	184	25	18	43	19	130	52.7	45	27.7	16	UK-211	FL-211	H-311	3.3
UKFL-212-55	55	250	202	29	18	48	23	140	58	47	29	20	UK-212	FL-212	H-312	4.1
UKFL-213-60	60	258	210	30	20	50	23	155	61.5	50	31.5	20	UK-213	FL-213	H-313	5.0
UKFL-215-65	65	275	225	34	20	56	23	165	68.5	55	34.5	20	UK-215	FL-215	H-315	6.6
UKFL-216-70	70	290	233	34	20	58	25	180	71.8	59	37.8	22	UK-216	FL-216	H-316	8.1
UKFL-217-75	75	305	248	36	22	63	25	190	75.8	63	39.8	22	UK-217	FL-217	H-317	9.9
UKFL-218-80	80	320	265	40	23	68	25	205	81.8	65	41.8	22	UK-218	FL-218	H-318	12.2

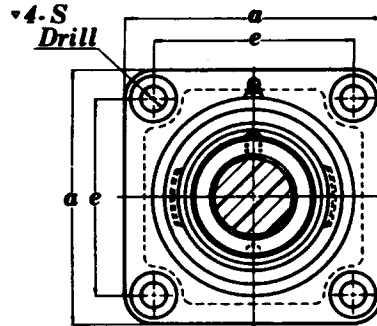
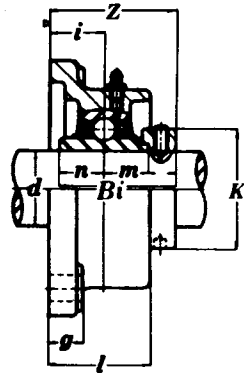
Covers are also available by special request.

Inch Bore Also Available

Metric Bearing Unit

NANF 200

Flange Units (With Eccentric Locking Collar, Normal-Duty)



Metric Bore

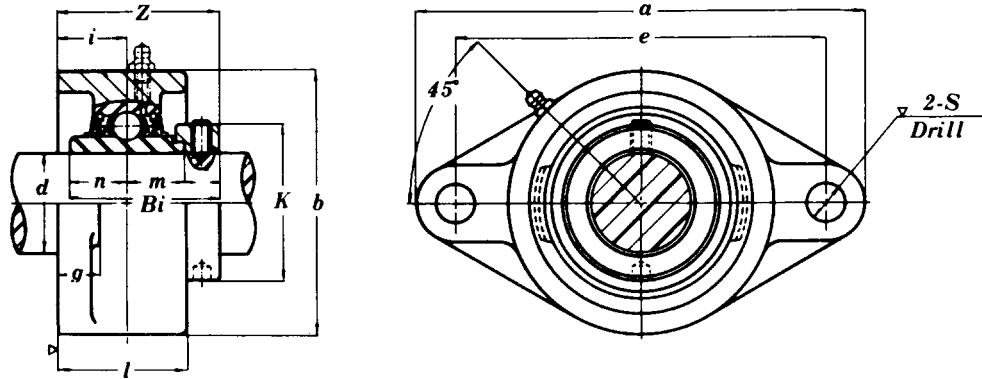
Part No.	Shaft Ø d	a	e	i	g	l	s	Z	Bi	n	m	K	Bolt Used	Bearing No.	Housing No.	Weight kg
NANF-201-12	12	86	64	19.0	15	29.5	11.0	45.5	43.5	17.0	17.0	33.3	10	NA-201	NF-204	0.9
NANF-202-15	15	86	64	19.0	15	29.5	11.0	45.5	43.5	17.0	17.0	33.3	10	NA-202	NF-204	0.9
NANF-203-17	17	86	64	19.0	15	29.5	11.0	45.5	43.5	17.0	17.0	33.3	10	NA-203	NF-204	0.9
NANF-204-20	20	86	64	19.0	15	29.5	11.0	45.5	43.5	17.0	17.0	33.3	10	NA-204	NF-204	0.9
NANF-205-25	25	95	70	20.0	15	31.0	11.5	46.9	44.3	17.4	17.4	38.1	10	NA-205	NF-205	1.2
NANF-206-30	30	108	83	21.0	16	34.0	13.0	51.1	48.3	18.2	18.2	44.5	12	NA-206	NF-206	1.6
NANF-207-35	35	117	92	21.5	17	36.5	13.0	53.8	51.1	18.8	18.8	55.6	12	NA-207	NF-207	2.2
NANF-208-40	40	130	102	24.0	17	39.0	14.0	58.9	56.3	21.4	21.4	60.3	14	NA-208	NF-208	2.7
NANF-209-45	45	137	105	24.0	18	40.0	16.0	58.9	56.3	21.4	21.4	63.5	14	NA-209	NF-209	3.2
NANF-210-50	50	143	111	28.5	20	46.5	16.0	66.6	62.7	24.6	24.6	69.9	14	NA-210	NF-210	3.6
NANF-211-55	55	162	130	32.0	21	50.0	17.0	75.7	71.4	27.7	27.7	76.2	16	NA-211	NF-211	5.0
NANF-212-60	60	175	143	36.0	21	55.0	17.0	82.9	77.8	30.9	30.9	84.2	16	NA-212	NF-212	5.9

Inch Bore Also Available

Metric Bearing Unit

NANFL 200

Flange Units (With Eccentric Locking Collar, Normal-Duty)



Metric Bore

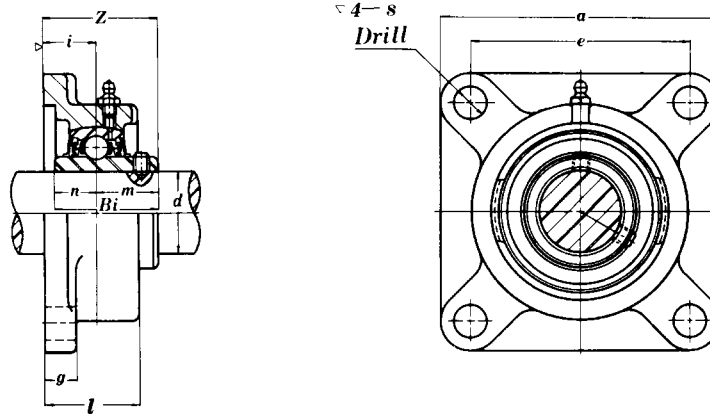
Part No.	Shaft Ø d	a	e	i	g	l	s	b	Z	Bi	n	m	K	Bolt Used	Bearing No.	Housing No.	Weight kg
NANFL-201-12	12	113	89.7	19.0	11	29.5	10.0	60	45.5	43.5	17.0	17.0	33.3	8	NA-201	NFL-204	0.7
NANFL-202-15	15	113	89.7	19.0	11	29.5	10.0	60	45.5	43.5	17.0	17.0	33.3	8	NA-202	NFL-204	0.7
NANFL-203-17	17	113	89.7	19.0	11	29.5	10.0	60	45.5	43.5	17.0	17.0	33.3	8	NA-203	NFL-204	0.7
NANFL-204-20	20	113	89.7	19.0	11	29.5	10.0	60	45.5	43.5	17.0	17.0	33.3	8	NA-204	NFL-204	0.7
NANFL-205-25	25	130	98.8	20.0	13	31.0	11.9	68	46.7	44.3	17.4	17.4	38.1	10	NA-205	NFL-205	1.1
NANFL-206-30	30	148	116.7	21.0	13	34.0	11.9	80	51.1	48.3	18.2	18.2	44.5	10	NA-206	NFL-206	1.4
NANFL-207-35	35	161	130.2	21.5	14	36.5	13.0	90	53.8	51.1	18.8	18.8	55.6	12	NA-207	NFL-207	1.9
NANFL-208-40	40	175	143.7	24.0	14	39.0	13.0	100	58.9	56.3	21.4	21.4	60.3	12	NA-208	NFL-208	2.4
NANFL-209-45	45	188	148.4	24.0	14	40.0	15.0	108	58.9	56.3	21.4	21.4	63.5	14	NA-209	NFL-209	2.8
NANFL-210-50	50	197	157.0	28.5	14	46.5	15.0	115	66.6	62.7	24.6	24.6	69.9	14	NA-210	NFL-210	3.3
NANFL-211-55	55	224	184.0	32.0	20	50.0	16.5	130	75.7	71.4	27.7	27.7	76.2	14	NA-211	NFL-211	5.0

Inch Bore Also Available

Metric Bearing Unit

SLF 200

Flange Units (Square, Normal-Duty)



Metric Bore

Part No.	Shaft Ø d	a	e	i	g	l	s	Z	Bi	n	m	Bolt Used	Bearing No.	Housing No.	Weight kg
SLF-201-12	12	76	54	16.67	9.5	28	10	32.15	26.59	11.11	15.48	8	SN-201	SLF-203	0.53
SLF-202-15	15	76	54	16.67	9.5	28	10	32.15	26.59	11.11	15.48	8	SN-202	SLF-203	0.53
SLF-203-17	17	76	54	16.67	9.5	28	10	32.15	26.59	11.11	15.48	8	SN-203	SLF-203	0.53
SLF-204-20	20	86	64	20.64	9.5	33	11	38.94	31.0	12.7	18.3	10	UC-204	SLF-204	0.73
SLF-205-25	25	95	70	21.0	11	35	11.5	40.7	34.0	14.3	19.7	10	UC-205	SLF-205	0.94
SLF-206-30	30	108	83	22.6	13	37	13	44.8	38.1	15.9	22.2	12	UC-206	SLF-206	1.4
SLF-207-35	35	117.5	92	22.2	14	38	13	47.6	42.9	17.5	25.4	12	UC-207	SLF-207	2.0
SLF-208-40	40	130	102	24.6	16	41	14	54.8	49.2	19.0	30.2	12	UC-208	SLF-208	2.3
SLF-209-45	45	137	105	24.6	16	42	16	54.8	49.2	19.0	30.2	14	UC-209	SLF-209	2.7
SLF-210-50	50	143	111	27.8	16	46	16	60.4	51.6	19.0	32.6	14	UC-210	SLF-210	3.5
SLF-211-55	55	162	130	31.0	17.5	50	17	64.4	55.6	22.2	33.4	16	UC-211	SLF-211	3.5
SLF-212-60	60	175	143	34.1	17.5	55	17	73.8	65.1	25.4	39.7	16	UC-212	SLF-212	5.1
SLF-213-65	65	175	143	34.1	17.5	55	17	73.8	65.1	25.4	39.7	16	UC-213	SLF-213	6.3
SLF-214-70	70	197	152	40.5	19	68	19	84.9	74.6	30.2	44.4	18	UC-214	SLF-214	7.1
SLF-215-75	75	197	152	40.5	19	68	19	85.0	77.8	33.3	44.5	18	UC-215	SLF-215	7.3

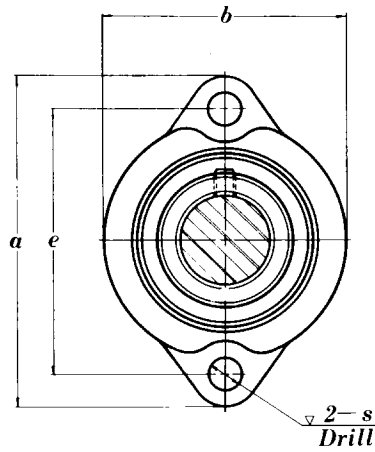
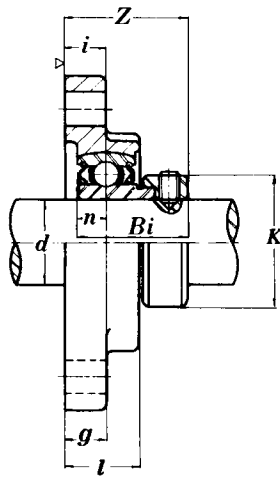
Covers are also available by special request.

Inch Bore Also Available

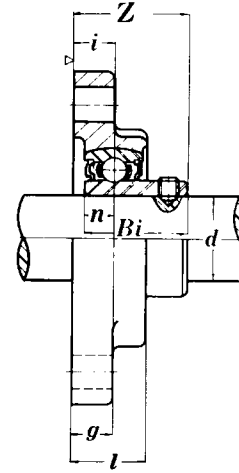
Metric Bearing Unit

Flange (Light-Duty)

ALF 2



BLF 2



Metric Bore

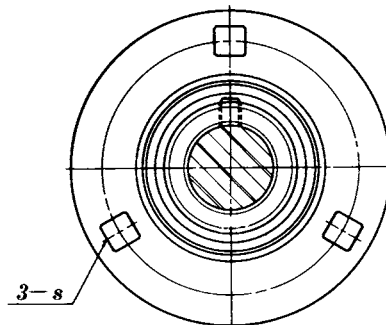
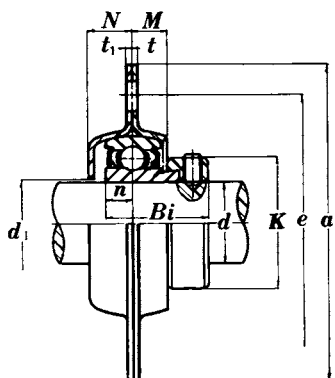
Part No.	Shaft Ød	a	e	i	g	l	s	b	n	Bolt Used	Z	Bi	K	Bearing No.	Housing No.	Weight kg
ALF-201-12	12	81	63.5	9.5	9.5	18.0	8	52	6.0	6	32.0	28.5	28.6	SA-201	LF-203	0.28
ALF-202-15	15	81	63.5	9.5	9.5	18.0	8	52	6.0	6	32.0	28.5	28.6	SA-202	LF-203	0.28
ALF-203-17	17	81	63.5	9.5	9.5	18.0	8	52	6.0	6	32.0	28.5	28.6	SA-203	LF-203	0.28
ALF-204-20	20	90	71.5	11	11	20.0	10	61	7.0	8	33.5	29.5	33.3	SA-204	LF-204	0.33
ALF-205-25	25	95	76.0	11	11	20.0	10	64	7.5	8	34.0	30.5	38.1	SA-205	LF-205	0.42
ALF-206-30	30	113	90.5	12	12	22.5	12	76	8.0	9	37.9	33.9	44.5	SA-206	LF-206	0.60
ALF-207-35	35	122	100.0	13	13	24.0	12	89	8.5	9	41.0	36.5	55.6	SA-207	LF-207	0.85
BLF-201-12	12	81	63.5	9.5	9.5	18.0	8	52	6.0	6	25.5	22		SB-201	LF-203	0.25
BLF-202-15	15	81	63.5	9.5	9.5	18.0	8	52	6.0	6	25.5	22		SB-202	LF-203	0.25
BLF-203-17	17	81	63.5	9.5	9.5	18.0	8	52	6.0	6	25.5	22		SB-203	LF-203	0.25
BLF-204-20	20	90	71.5	11	11	20.0	10	61	7.0	8	29.0	25		SB-204	LF-204	0.33
BLF-205-25	25	95	76.0	11	11	20.0	10	64	7.5	8	30.5	27		SB-205	LF-205	0.38
BLF-206-30	30	113	90.5	12	12	22.5	12	76	8.0	9	34.0	30		SB-206	LF-206	0.57
BLF-207-35	35	122	100.0	13	13	24.0	12	89	8.5	9	36.5	32		SB-207	LF-207	0.77

Inch Bore Also Available

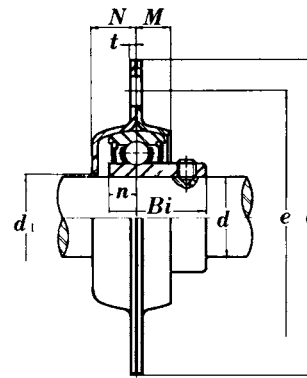
Metric Bearing Unit

Pressed Housing Flange Units (Light-Duty)

SAPFS 2 (SA2-Fitted)



SBPFS 2 (SB2-Fitted)



Metric Bore

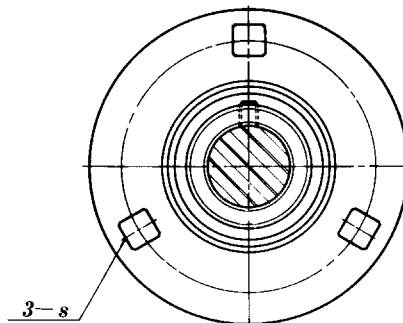
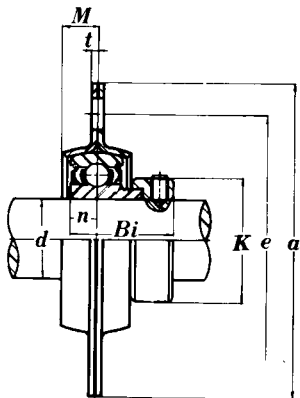
Part No.	Shaft Ød	d ₁	a	e	M	N	t	s	n	Bolt Used	Bi	K	Bearing No.	Housing No.	Weight kg
SAPFS-201-12	12	18	81	63.5	7.0	9.0	2	7.1	6.0	6	28.5	28.6	SA-201	PFS-203	0.30
SAPFS-202-15	15	18	81	63.5	7.0	9.0	2	7.1	6.0	6	28.5	28.6	SA-202	PFS-203	0.30
SAPFS-203-17	17	18	81	63.5	7.0	9.0	2	7.1	6.0	6	28.5	28.6	SA-203	PFS-203	0.30
SAPFS-204-20	20	21	90	71.5	8.0	11.0	2	9.0	7.0	8	29.5	33.3	SA-204	PFS-204	0.33
SAPFS-205-25	25	26	95	76.0	9.0	13.0	2	9.0	7.5	8	30.5	38.1	SA-205	PFS-205	0.42
SAPFS-206-30	30	31	113	90.5	9.5	16.0	2.6	11	8.0	10	33.9	44.5	SA-206	PFS-206	0.65
SAPFS-207-35	35	36	122	100.0	11.0	17.4	2.6	11	8.5	10	36.5	55.6	SA-207	PFS-207	0.90
SBPFS-201-12	12	18	81	63.5	7.0	9.0	2	7.1	6.0	6	22.0		SB-201	PFS-203	0.27
SBPFS-202-15	15	18	81	63.5	7.0	9.0	2	7.1	6.0	6	22.0		SB-202	PFS-203	0.27
SBPFS-203-17	17	18	81	63.5	7.0	9.0	2	7.1	6.0	6	22.0		SB-203	PFS-203	0.27
SBPFS-204-20	20	21	90	71.5	8.0	11.0	2	9.0	7.0	8	25.0		SB-204	PFS-204	0.33
SBPFS-205-25	25	26	95	76.0	9.0	13.0	2	9.0	7.5	8	27.0		SB-205	PFS-205	0.38
SBPFS-206-30	30	31	113	90.5	9.5	16.0	2.6	11	8.0	10	30.0		SB-206	PFS-206	0.62
SBPFS-207-35	35	36	122	100.0	11.0	17.4	2.6	11	8.5	10	32.0		SB-207	PFS-207	0.82

Inch Bore Also Available

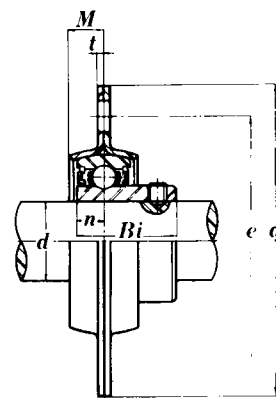
Metric Bearing Unit

Pressed Housing Flange Units (Light-Duty)

SAPF 2 (SA2-Fitted)



SBPF 2 (SB2-Fitted)



Metric Bore

Part No.	Shaft Ød	a	e	M	t	s	n	Bolt Used	Bi	K	Bearing No.	Housing No.	Weight kg
SAPF-201-12	12	81	63.5	7.0	2.0	7.1	6.0	6	28.5	28.6	SA-201	PF-203	0.30
SAPF-202-15	15	81	63.5	7.0	2.0	7.1	6.0	6	28.5	28.6	SA-202	PF-203	0.30
SAPF-203-17	17	81	63.5	7.0	2.0	7.1	6.0	6	28.5	28.6	SA-203	PF-203	0.30
SAPF-204-20	20	90	71.5	8.0	2.0	9.0	7.0	8	29.5	33.3	SA-204	PF-204	0.33
SAPF-205-25	25	95	76.0	9.0	2.0	9.0	7.5	8	30.5	38.1	SA-205	PF-205	0.42
SAPF-206-30	30	113	90.5	9.5	2.6	11.0	8.0	10	33.9	44.5	SA-206	PF-206	0.65
SAPF-207-35	35	122	100.0	11.0	2.6	11.0	8.5	10	36.5	55.6	SA-207	PF-207	0.90
SBPF-201-12	12	81	63.5	7.0	2.0	7.1	6.0	6	22.0		SB-201	PF-203	0.27
SBPF-202-15	15	81	63.5	7.0	2.0	7.1	6.0	6	22.0		SB-202	PF-203	0.27
SBPF-203-17	17	81	63.5	7.0	2.0	7.1	6.0	6	22.0		SB-203	PF-203	0.27
SBPF-204-20	20	90	71.5	8.0	2.0	9.0	7.0	8	25.0		SB-204	PF-204	0.33
SBPF-205-25	25	95	76.0	9.0	2.0	9.0	7.5	8	27.0		SB-205	PF-205	0.38
SBPF-206-30	30	113	90.5	9.5	2.6	11.0	8.0	10	30.0		SB-206	PF-206	0.62
SBPF-207-35	35	122	100.0	11.0	2.6	11.0	8.5	10	32.0		SB-207	PF-207	0.82

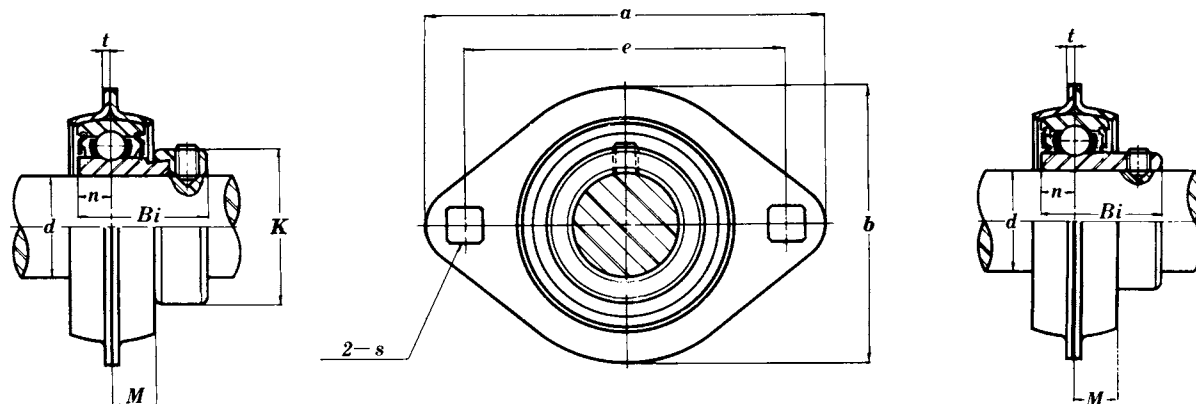
Inch Bore Also Available

Metric Bearing Unit

Pressed Housing Flange Units (Light-Duty)

SAPFL 2

SBPFL 2



Metric Bore

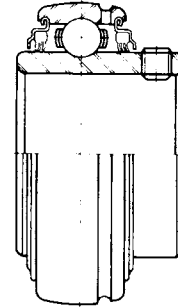
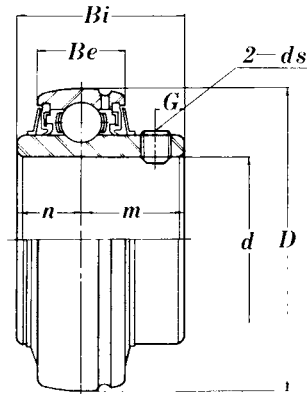
Part No.	Shaft Ød	a	e	M	b	t	s	n	Bolt Used	Bi	K	Bearing No.	Housing No.	Weight kg
SAPFL-201-12	12	81	63.5	7.0	59	2.0	7.1	6.0	6	28.5	28.6	SA-201	PFL-203	0.22
SAPFL-202-15	15	81	63.5	7.0	59	2.0	7.1	6.0	6	28.5	28.6	SA-202	PFL-203	0.22
SAPFL-203-17	17	81	63.5	7.0	59	2.0	7.1	6.0	6	28.5	28.6	SA-203	PFL-203	0.22
SAPFL-204-20	20	90	71.5	8	67	2.0	9.0	7.0	8	29.5	33.3	SA-204	PFL-204	0.24
SAPFL-205-25	25	95	76.0	9	71	2.0	9.0	7.5	8	30.5	38.1	SA-205	PFL-205	0.32
SAPFL-206-30	30	113	90.5	9.5	84	2.6	11	8.0	10	33.9	44.5	SA-206	PFL-206	0.41
SBPFL-201-12	12	81	63.5	7.0	59	2.0	7.1	6.0	6	22		SB-201	PFL-203	0.19
SBPFL-202-15	15	81	63.5	7.0	59	2.0	7.1	6.0	6	22		SB-202	PFL-203	0.19
SBPFL-203-17	17	81	63.5	7.0	59	2.0	7.1	6.0	6	22		SB-203	PFL-203	0.19
SBPFL-204-20	20	90	71.5	8	67	2.0	9.0	7.0	8	25		SB-204	PFL-204	0.24
SBPFL-205-25	25	95	76.0	9	71	2.0	9.0	7.5	8	27		SB-205	PFL-205	0.28
SBPFL-206-30	30	113	90.5	9.5	84	2.6	11	8.0	10	30		SB-206	PFL-206	0.38

Inch Bore Also Available

Metric Bearing Unit

UCC 200

Cartridge Units (Normal-Duty)



Metric Bore

Part No.	Shaft Ø d	a	l	Bi	n	m	Bearing No.	Housing No.	Weight kg
UCC-201-12	12	72	20	31.0	12.7	18.3	UC-201	C-204	0.50
UCC-202-15	15	72	20	31.0	12.7	18.3	UC-202	C-204	0.50
UCC-203-17	17	72	20	31.0	12.7	18.3	UC-203	C-204	0.50
UCC-204-20	20	72	20	31.0	12.7	18.3	UC-204	C-204	0.50
UCC-205-25	25	80	22	34.0	14.3	19.7	UC-205	C-205	0.64
UCC-206-30	30	85	27	38.1	15.9	22.2	UC-206	C-206	0.81
UCC-207-35	35	90	28	42.9	17.5	25.4	UC-207	C-207	0.93
UCC-208-40	40	100	30	49.2	19.0	30.2	UC-208	C-208	1.2
UCC-209-45	45	110	31	49.2	19.0	30.2	UC-209	C-209	1.5
UCC-210-50	50	120	33	51.6	19.0	32.6	UC-210	C-210	2.0
UCC-211-55	55	125	35	55.6	22.2	33.4	UC-211	C-211	2.2
UCC-212-60	60	130	38	65.1	25.4	39.7	UC-212	C-212	2.6
UCC-213-65	65	140	40	65.1	25.4	39.7	UC-213	C-213	3.0

Inch Bore Also Available



American Metric® Corporation

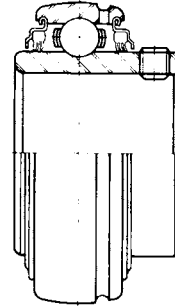
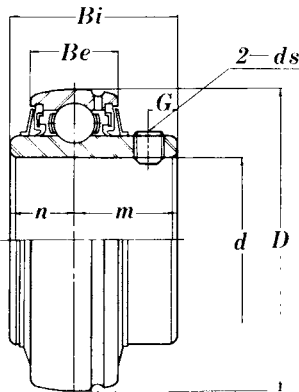
GROUP: 085

1-085 - 70617

Metric Bearing Unit

UCC 300

Cartridge Units (Heavy-Duty)



Metric Bore

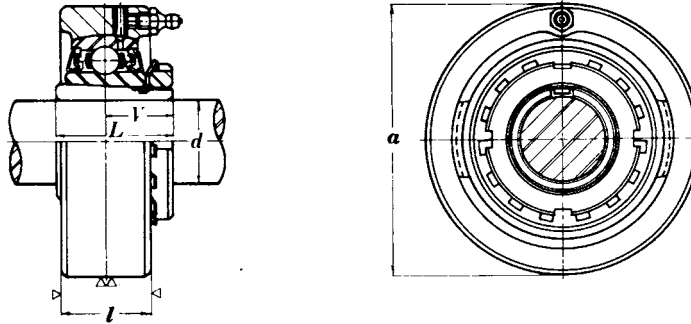
Part No.	Shaft Ø d	a	l	Bi	n	m	Bearing No.	Housing No.	Weight kg
UCC-305-25	25	90	26	38	15	23	UC-305	C-305	1.5
UCC-306-30	30	100	28	43	17	26	UC-306	C-306	1.7
UCC-307-35	35	110	32	48	19	29	UC-307	C-307	2.2
UCC-308-40	40	120	34	52	19	33	UC-308	C-308	2.2
UCC-309-45	45	130	38	57	22	35	UC-309	C-309	2.8
UCC-310-50	50	140	40	61	22	39	UC-310	C-310	3.2
UCC-311-55	55	150	44	66	25	41	UC-311	C-311	3.9
UCC-312-60	60	160	46	71	26	45	UC-312	C-312	4.8
UCC-313-65	65	170	50	75	30	45	UC-313	C-313	5.7
UCC-314-70	70	180	52	78	33	45	UC-314	C-314	6.7
UCC-315-75	75	190	55	82	32	50	UC-315	C-315	7.8
UCC-316-80	80	200	60	86	34	52	UC-316	C-316	9.2
UCC-317-85	85	215	64	96	40	56	UC-317	C-317	11.7
UCC-318-90	90	225	66	96	40	56	UC-318	C-318	13.1
UCC-319-95	95	240	72	103	41	62	UC-319	C-319	15.8
UCC-320-100	100	260	75	108	42	66	UC-320	C-320	19.6
UCC-322-110	110	300	80	117	46	71	UC-322	C-322	29.2
UCC-324-120	120	320	90	126	51	75	UC-324	C-324	35.9
UCC-326-130	130	340	100	135	54	81	UC-326	C-326	43.0
UCC-328-140	140	360	100	145	59	86	UC-328	C-328	52.9

Inch Bore Also Available

Metric Bearing Unit

UKC 200

Cartridge Units (With Adapter Mounted, Normal-Duty)



Metric Bore

Part No.	Shaft Ø d	a	l	L	V	Bearing No.	Housing No.	Adapter No.	Weight kg
UKC-205-20	20	80	22	29	18.7	UK-205	C-205	H-305	0.68
UKC-206-25	25	85	27	31	19.7	UK-206	C-206	H-306	0.85
UKC-207-30	30	90	28	35	22.2	UK-207	C-207	H-307	0.97
UKC-208-35	35	100	30	36	23.7	UK-208	C-208	H-308	1.3
UKC-209-40	40	110	31	39	25.7	UK-209	C-209	H-309	1.6
UKC-210-45	45	120	33	42	26.7	UK-210	C-210	H-310	2.0
UKC-211-50	50	125	35	45	27.7	UK-211	C-211	H-311	2.3
UKC-212-55	55	130	38	47	29.0	UK-212	C-212	H-312	2.5
UKC-213-60	60	140	40	50	31.5	UK-213	C-213	H-313	3.0

Inch Bore Also Available



American Metric® Corporation

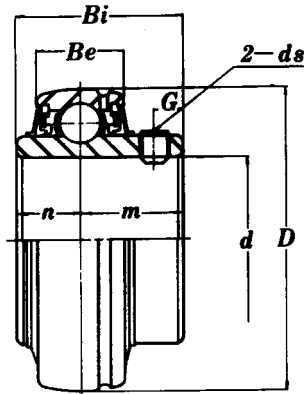
GROUP: 085

1-085 - 60808

Metric Bearing Unit

UC 200

Ball Bearings (Normal-Duty)



Metric Bore

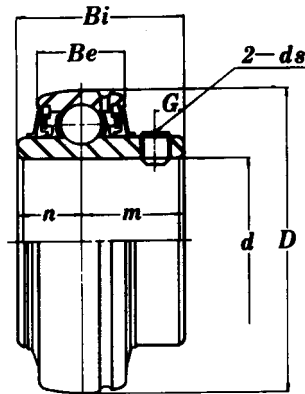
Part No.	Bore $\varnothing d$	D	Bi	Be	n	m	G	ds	Basic Load kgf	Static Load kgf	Weight kg
UC-201-12	12	47	31.0	16	12.7	18.3	5.0	M6X1.0	1310	680	0.21
UC-202-15	15	47	31.0	16	12.7	18.3	5.0	M6X1.0	1310	680	0.19
UC-203-17	17	47	31.0	16	12.7	18.3	5.0	M6X1.0	1310	680	0.18
UC-204-20	20	47	31.0	16	12.7	18.3	5.0	M6X1.0	1310	680	0.16
UC-205-25	25	52	34.0	17	14.3	19.7	5.5	M6X1.0	1430	800	0.20
UC-206-30	30	62	38.1	19	15.9	22.2	6.0	M6X1.0	1980	1150	0.32
UC-207-35	35	72	42.9	20	17.5	25.4	6.5	M8X1.0	2620	1570	0.48
UC-208-40	40	80	49.2	21	19.0	30.2	8.0	M8X1.0	2970	1820	0.64
UC-209-45	45	85	49.2	22	19.0	30.2	8.0	M8X1.0	3480	2170	0.68
UC-210-50	50	90	51.6	24	19.0	32.6	9.0	M10X1.25	3580	2370	0.80
UC-211-55	55	100	55.6	25	22.2	33.4	9.0	M10X1.25	4420	3000	1.11
UC-212-60	60	110	65.1	27	25.4	39.7	10.5	M10X1.25	5350	3690	1.54
UC-213-65	65	120	65.1	28	25.4	39.7	12.0	M12X1.5	5840	4090	1.86
UC-214-70	70	125	74.6	30	30.2	44.4	12.0	M12X1.5	6340	4490	2.05
UC-215-75	75	130	77.8	32	33.3	44.5	12.0	M12X1.5	6880	4920	2.21
UC-216-80	80	140	82.6	33	33.3	49.3	14.0	M12X1.5	7410	5400	2.79
UC-217-85	85	150	85.7	35	34.1	51.6	14.0	M12X1.5	8560	6310	3.45
UC-218-90	90	160	96.0	38	39.7	56.3	15.0	M12X1.5	9790	7300	4.35

Inch Bore and Stainless Steel Also Available

Metric Bearing Unit

UC 300

Ball Bearings (Heavy-Duty)



Metric Bore

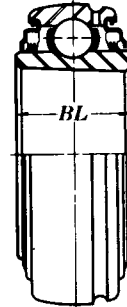
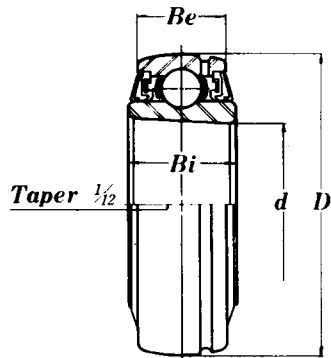
Part No.	Bore $\varnothing d$	D	Bi	Be	n	m	G	ds	Basic Load kgf	Static Load kgf	Weight kg
UC-305-25	25	62	38	22	15	23	6	M6X1.0	2160	1110	0.45
UC-306-30	30	72	43	24	17	26	6	M6X1.0	2720	1530	0.56
UC-307-35	35	80	48	26	19	29	8	M8X1.0	3400	1960	0.71
UC-308-40	40	90	52	28	19	33	10	M10X1.25	4150	2450	1.00
UC-309-45	45	100	57	30	22	35	10	M10X1.25	4980	3010	1.33
UC-310-50	50	110	61	32	22	39	12	M12X1.5	6320	3900	1.69
UC-311-55	55	120	66	34	25	41	12	M12X1.5	7300	4580	1.90
UC-312-60	60	130	71	36	26	45	12	M12X1.5	8350	5320	2.60
UC-313-65	65	140	75	38	30	45	12	M12X1.5	9450	6110	3.16
UC-314-70	70	150	78	40	33	45	12	M12X1.5	10600	6960	3.90
UC-315-75	75	160	82	42	32	50	14	M14X1.5	11600	7870	4.70
UC-316-80	80	170	86	44	34	52	14	M14X1.5	12500	8840	5.60
UC-317-85	85	180	96	46	40	56	16	M16X1.5	13500	9870	6.90
UC-318-90	90	190	96	48	40	56	16	M16X1.5	14500	10900	7.87
UC-319-95	95	200	103	50	41	62	18	M16X1.5	15600	12100	8.91
UC-320-100	100	215	108	54	42	66	20	M18X1.5	17700	14400	11.2
UC-322-110	110	240	117	60	46	71	20	M18X1.5	20900	18300	15.1
UC-324-120	120	260	126	64	51	75	20	M18X1.5	21100	18800	19.0
UC-326-130	130	280	135	68	54	81	20	M20X1.5	23400	21800	23.6
UC-328-140	140	300	145	72	59	86	20	M20X1.5	25800	25100	29.4

Inch Bore Also Available

Metric Bearing Unit

UK 200

Ball Bearings (With Adapter Mounted, Normal-Duty)



Metric Bore

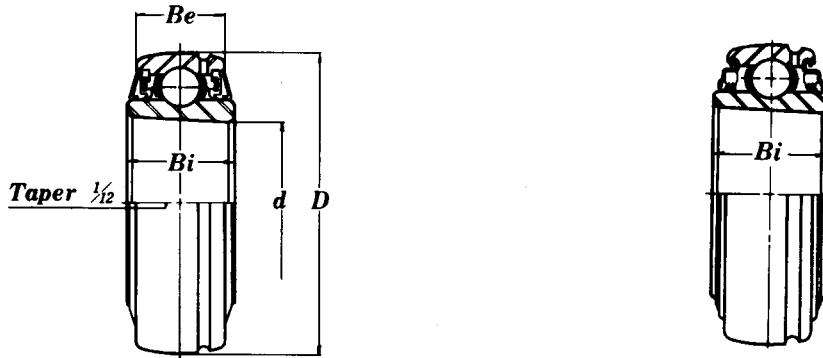
Part No.	Bore $\varnothing d$	D	Bi	Be	BL	Basic Load kgf	Static Load kgf	Weight kg
UK-205-25	25	52	21	17	24	1430	800	0.16
UK-206-30	30	62	23	19	27	1980	1150	0.25
UK-207-35	35	72	26	20	30	2620	1570	0.37
UK-208-40	40	80	27	21	34	2970	1820	0.47
UK-209-45	45	85	29	22	36	3480	2170	0.52
UK-210-50	50	90	29	24	36	3580	2370	0.59
UK-211-55	55	100	31	25	40	4420	3000	0.80
UK-212-60	60	110	33	27	47	5350	3690	1.02
UK-213-65	65	120	36	28	47	5840	4090	1.34
UK-215-75	75	130	40	32	51	6880	4920	1.50
UK-216-80	80	140	42	33	55	7410	5400	1.96
UK-217-85	85	150	44	35	57	8560	6310	2.42
UK-218-90	90	160	48	38	63	9790	7300	3.00

Inch Bore Also Available

Metric Bearing Unit

UK 300

Ball Bearings (With Adapter Mounted, Heavy-Duty)



Metric Bore

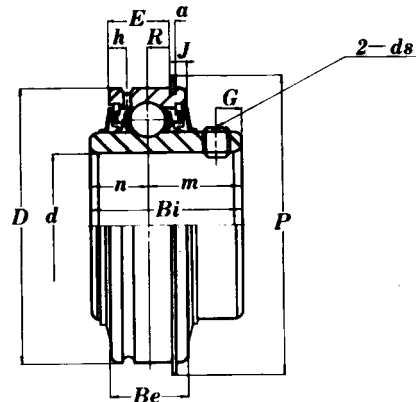
Part No.	Bore Ø d	D	Be	Bi	Basic Load kgf	Static Load kgf	Weight kg
UK-305-25	25	62	22	27	2160	1110	0.40
UK-306-30	30	72	24	30	2720	1530	0.47
UK-307-35	35	80	26	33	3400	1960	0.60
UK-308-40	40	90	28	35	4150	2450	0.80
UK-309-45	45	100	30	38	4980	3010	1.08
UK-310-50	50	110	32	40	6320	3900	1.38
UK-311-55	55	120	34	43	7300	4580	1.78
UK-312-60	60	130	36	47	8350	5320	2.06
UK-313-65	65	140	38	49	9450	6110	2.71
UK-315-75	75	160	42	55	11600	7870	3.80
UK-316-80	80	170	44	55	12500	8840	4.39
UK-317-85	85	180	46	60	13500	9870	5.30
UK-318-90	90	190	48	60	14500	10900	6.20
UK-319-95	95	200	50	66	15600	12100	7.31
UK-320-100	100	215	54	68	17700	14400	8.70
UK-322-110	110	240	60	78	20900	18300	12.2
UK-324-120	120	260	64	87	21100	18800	16.1
UK-326-130	130	280	68	87	23400	21800	18.8
UK-328-140	140	300	72	97	25800	25100	23.9

Inch Bore Also Available

Metric Bearing Unit

ER 200

Ball Bearings (With Locating Snap Ring, Normal-Duty)



Metric Bore

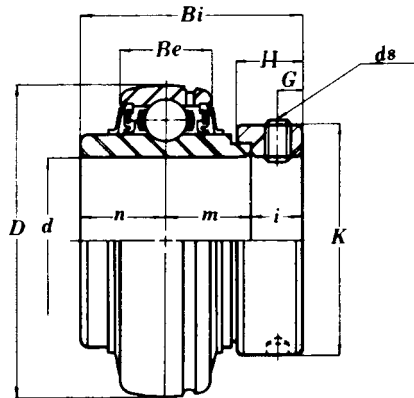
Part No.	Bore Ø d	D	Bi	Be	n	m	E	a	h	R	J	P	G	ds	Basic Load kgf	Static Load kgf	Weight kg
ER-201-12	12	47	31.0	16	12.7	18.3	12.55	1.07	4.0	4.93	2.38	52.5	5.0	M6X1.0	1310	680	0.22
ER-202-15	15	47	31.0	16	12.7	18.3	12.55	1.07	4.0	4.93	2.38	52.5	5.0	M6X1.0	1310	680	0.22
ER-203-17	17	47	31.0	16	12.7	18.3	12.55	1.07	4.0	4.93	2.38	52.5	5.0	M6X1.0	1310	680	0.22
ER-204-20	20	47	31.0	16	12.7	18.3	12.55	1.07	4.0	4.93	2.38	52.5	5.0	M6X1.0	1310	680	0.21
ER-205-25	25	52	34.0	19	14.3	19.7	15.55	1.07	5.0	6.03	2.38	57.7	5.5	M6X1.0	1430	800	0.27
ER-206-30	30	62	38.1	22	15.9	22.2	17.17	1.65	5.5	6.15	3.18	67.5	6.0	M6X1.0	1980	1150	0.39
ER-207-35	35	72	42.9	24	17.5	25.4	19.17	1.65	5.5	7.15	3.18	78.4	6.5	M8X1.0	2620	1570	0.63
ER-208-40	40	80	49.2	28	19.0	30.2	23.17	1.65	6.0	9.15	3.18	86.4	8.0	M8X1.0	2970	1820	0.81
ER-209-45	45	85	49.2	28	19.0	30.2	23.17	1.65	6.0	9.15	3.18	91.4	8.0	M8X1.0	3480	2170	0.90
ER-210-50	50	90	51.6	28	19.0	32.6	22.41	2.41	7.5	8.39	3.18	96.3	9.0	M10X1.25	3580	2370	0.98
ER-211-55	55	100	55.6	30	22.2	33.4	24.41	2.41	7.5	9.39	3.18	106.3	9.0	M10X1.25	4420	3000	1.41
ER-212-60	60	110	65.1	32	25.4	39.7	26.41	2.41	7.5	10.39	3.18	116.4	10.5	M10X1.25	5350	3690	1.89

Inch Bore Also Available

Metric Bearing Unit

NA 200

Ball Bearings (With Eccentric Locking Collar, Normal-Duty)



Metric Bore

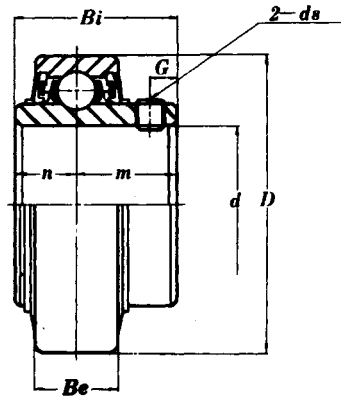
Part No.	Bore Ø d	D	Bi	Be	n	m	i	K	H	G	ds	Basic Load kgf	Static Load kgf	Weight kg
NA-201-12	12	47	43.5	16	17.0	17.0	9.5	33.3	13.5	4.8	M6X1	1310	680	0.29
NA-202-15	15	47	43.5	16	17.0	17.0	9.5	33.3	13.5	4.8	M6X1	1310	680	0.27
NA-203-17	17	47	43.5	16	17.0	17.0	9.5	33.3	13.5	4.8	M6X1	1310	680	0.25
NA-204-20	20	47	43.5	16	17.0	17.0	9.5	33.3	13.5	4.8	M6X1	1310	680	0.22
NA-205-25	25	52	44.3	17	17.4	17.4	9.5	38.1	13.5	4.8	M6X1	1430	800	0.25
NA-206-30	30	62	48.3	19	18.2	18.2	11.9	44.5	15.9	6.0	M8X1	1980	1150	0.41
NA-207-35	35	72	51.1	20	18.8	18.8	13.5	55.6	17.5	6.8	M8X1	2620	1570	0.61
NA-208-40	40	80	56.3	21	21.4	21.4	13.5	60.3	18.3	6.8	M8X1	2970	1820	0.78
NA-209-45	45	85	56.3	22	21.4	21.4	13.5	63.5	18.3	6.8	M8X1	3480	2170	0.85
NA-210-50	50	90	62.7	24	24.6	24.6	13.5	69.9	18.3	6.5	M8X1	3580	2370	1.01
NA-211-55	55	100	71.4	25	27.7	27.7	16.0	76.2	20.8	8.0	M10X1.25	4420	3000	1.39
NA-212-60	60	110	77.8	27	30.9	30.9	16.0	84.2	22.2	8.0	M10X1.25	5350	3690	1.87
NA-213-65	65	120	85.7	28	34.1	34.1	17.5	86.0	23.5	8.5	M10X1.25	5840	4090	2.51
NA-215-75	70	130	92.1	32	37.3	37.3	17.5	102.0	23.5	8.5	M10X1.25	6880	4920	2.74

Inch Bore Also Available

Metric Bearing Unit

RB 200

Ball Bearings (Normal-Duty)



Metric Bore

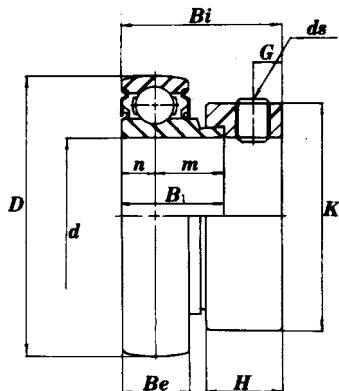
Part No.	Bore $\varnothing d$	D	Bi	Be	n	m	G	ds	Basic Load kgf	Static Load kgf	Weight kg
RB-201-12	12	47	31.0	16	12.7	18.3	5.0	M6x1.0	1310	680	0.22
RB-202-15	15	47	31.0	16	12.7	18.3	5.0	M6x1.0	1310	680	0.22
RB-203-17	17	47	31.0	16	12.7	18.3	5.0	M6x1.0	1310	680	0.22
RB-204-20	20	47	31.0	16	12.7	18.3	5.0	M6x1.0	1310	680	0.21
RB-205-25	25	52	34.0	19	14.3	19.7	5.5	M6x1.0	1430	800	0.26
RB-206-30	30	62	38.1	22	15.9	22.2	6.0	M6x1.0	1980	1150	0.38
RB-207-35	35	72	42.9	24	17.5	25.4	6.5	M8x1.0	2620	1570	0.62
RB-208-40	40	80	49.2	28	19.0	30.2	8.0	M8x1.0	2970	1820	0.78

Inch Bore Also Available

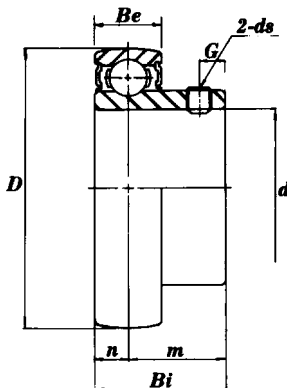
Metric Bearing Unit

Ball Bearings (Light-Duty)

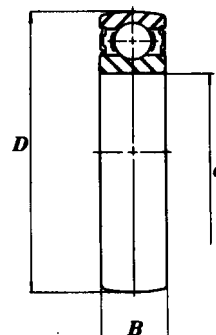
SA 2



SB 2



SC 2



Metric Bore

Part No.	Bore Ød	Be	D	B1	n	m	Bi	K	H	G	ds	Basic Load Static Load		
												kgf	kgf	Weight kg
SA-201-12	12	12	40	19	6.0	13.0	28.5	28.6	13.5	4.8	M6X1	975	490	0.13
SA-202-15	15	12	40	19	6.0	13.0	28.5	28.6	13.5	4.8	M6X1	975	490	0.13
SA-203-17	17	12	40	19	6.0	13.0	28.5	28.6	13.5	4.8	M6X1	975	490	0.13
SA-204-20	20	14	47	20	7.0	13.0	29.5	33.3	13.5	4.8	M6X1	1310	680	0.15
SA-205-25	25	15	52	21	7.5	13.5	30.5	38.1	13.5	4.8	M6X1	1430	800	0.22
SA-206-30	30	16	62	22	8.0	14.0	33.9	44.5	15.9	6.0	M8X1	1980	1150	0.30
SA-207-35	35	17	72	23	8.5	14.5	36.5	55.6	17.5	6.8	M8X1	2620	1570	0.50
SA-208-40	40	18	80	27	9.0	18.0	40.5	60.3	18.3	6.8	M8X1	2970	1820	0.67
SB-201-12	12	12	40		6.0	16.0	22			4.0	M5X0.8	975	490	0.10
SB-202-15	15	12	40		6.0	16.0	22			4.0	M5X0.8	975	490	0.10
SB-203-17	17	12	40		6.0	16.0	22			4.0	M5X0.8	975	490	0.10
SB-204-20	20	14	47		7.0	18.0	25			5.0	M6X1.0	1310	680	0.15
SB-205-25	25	15	52		7.5	19.5	27			5.5	M6X1.0	1430	800	0.18
SB-206-30	30	16	62		8.0	22.0	30			6.0	M6X1.0	1980	1150	0.27
SB-207-35	35	17	72		8.5	23.5	32			6.0	M6X1.0	2620	1570	0.42
SB-208-40	40	18	80		9.0	25.0	34			8.0	M8X1.0	2920	1820	0.60
SC-200-10	10	9	30									520	245	0.030
SC-201-12	12	10	32									690	310	0.035
SC-202-15	15	11	35									780	380	0.040
SC-203-17	17	12	40									975	490	0.07
SC-204-20	20	14	47									1310	680	0.11
SC-205-25	25	15	52									1430	800	0.18
SC-206-30	30	16	62									1980	1150	0.20
SC-207-35	35	17	72									2620	1570	0.30

Inch Bore Also Available