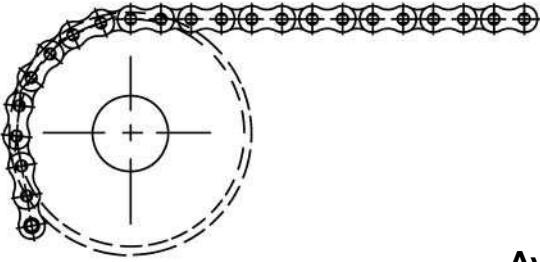


American Standard (ANSI) MPB Steel Sprockets ANSI B29.1



NO. 25 TYPE A & B

CHAIN SIZE: 1/4" x 1/8"
 PITCH: 1/4"
 ROLLER WIDTH: 1/8"
 ROLLER DIA.: 0.130"
 SPKT. WIDTH: SINGLE B1 0.114"

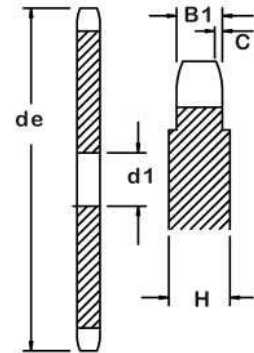
Available in Standard ANSI
 or Metric (ISO) Bores, Keyways
 and (2) Setscrews

All Dimensions in Inches

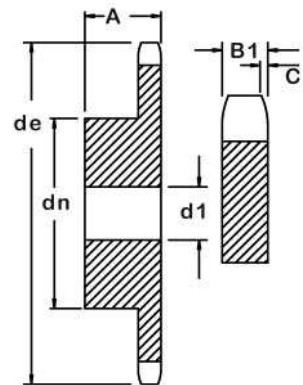
Teeth T	Outside Dia. de	Min. Bore d1 ±1/16"		Hub Dia. dn ±1/16"	Total Width A ±1/16"	Teeth T	Outside Dia. de	Min. Bore d1 ±1/16" 25A
		25A	25B					
8	0.713	1/4	3/16	3/8	9/16	46	3.740	3/8
9	0.795	1/4	3/16	7/16	9/16	47	3.819	3/8
10	0.878	1/4	1/4	1/2	9/16	48	3.898	3/8
11	0.957	5/16	1/4	9/16	9/16	49	3.980	3/8
12	1.039	5/16	1/4	5/8	9/16	50	4.059	3/8
13	1.122	5/16	1/4	11/16	9/16	51	4.138	1/2
14	1.201	5/16	1/4	13/16	9/16	52	4.217	1/2
15	1.280	5/16	1/4	7/8	9/16	53	4.295	1/2
16	1.358	5/16	5/16	15/16	9/16	54	4.378	1/2
17	1.437	5/16	5/16	1	9/16	55	4.457	1/2
18	1.516	5/16	5/16	1 1/8	9/16	56	4.535	1/2
19	1.594	5/16	5/16	1 3/16	9/16	57	4.614	1/2
20	1.673	5/16	5/16	1 1/4	9/16	58	4.693	1/2
21	1.756	5/16	5/16	1 5/16	9/16	59	4.776	1/2
22	1.835	5/16	5/16	1 7/16	9/16	60	4.854	1/2
23	1.913	5/16	5/16	1 1/2	9/16	62	5.012	1/2
24	1.992	5/16	5/16	1 9/16	11/16	64	5.173	1/2
25	2.071	5/16	5/16	1 5/8	11/16	65	5.252	1/2
26	2.150	5/16	3/8	1 3/4	11/16	66	5.331	9/16
27	2.228	5/16	3/8	1 13/16	11/16	68	5.488	9/16
28	2.311	5/16	3/8	1 7/8	11/16	70	5.650	9/16
29	2.390	5/16	3/8	1 7/8	11/16	72	5.807	9/16
30	2.469	5/16	1/2	1 7/8	11/16	75	6.047	9/16
31	2.547	3/8	1/2	1 15/16	11/16	76	6.126	9/16
32	2.626	3/8	1/2	1 15/16	11/16	80	6.445	5/8
33	2.709	3/8	1/2	1 15/16	11/16	85	6.843	5/8
34	2.787	3/8	1/2	1 15/16	11/16	90	7.240	5/8
35	2.866	3/8	1/2	1 15/16	11/16	95	7.638	5/8
36	2.945	3/8	1/2	1 15/16	11/16	100	8.035	5/8
37	3.024	3/8	1/2	1 15/16	11/16	110	8.831	5/8
38	3.102	3/8	1/2	1 15/16	11/16	114	9.150	5/8
39	3.185	3/8	1/2	1 15/16	11/16	120	9.626	5/8
40	3.264	3/8	1/2	1 15/16	11/16	125	10.024	5/8
41	3.343	3/8						
42	3.421	3/8						
43	3.500	3/8						
44	3.583	3/8						
45	3.661	3/8						

For plate sprockets with 51 teeth or
 more H = 4 mm

25A



25B



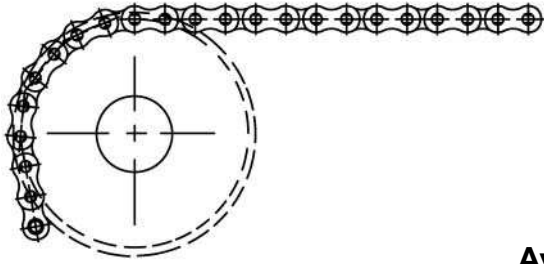
STAINLESS STEEL SPROCKETS QUOTED AND STOCKED UPON REQUEST.

 **American Metric® Corporation**

GROUP: 084

1-084-050103

American Standard (ANSI) MPB Steel Sprockets ANSI B29.1



NO. 35 TYPE A

CHAIN WIDTH: 3/8" X 3/16"
 PITCH: 3/8"
 ROLLER WIDTH: 3/16"
 ROLLER DIA.: 0.200"
 SPKT. WIDTH:
 SINGLE B1 0.169"
 DOUBLE B2 0.161"
 TRIPLE B3 0.563"

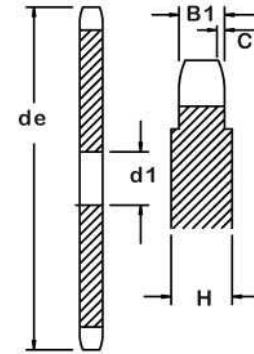
Available in Standard ANSI
 or Metric (ISO) Bores, Keyways
 and (2) Setscrews

H = 0.17"

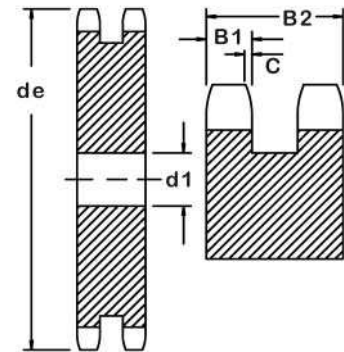
All Dimensions in Inches

Teeth T	Outside Dia. de	Min. Bore d1 ±1/16"		Teeth Z	Outside Dia. de	Min. Bore d1 ±1/16"	
		35	D35			35	D35
8	1.126	5/16		51	6.394		
9	1.240	5/16		52	6.512		
10	1.358	5/16		53	6.630	13/16	
				54	6.748	13/16	
				55			
11	1.476	5/16			6.870		
12	1.594	5/16		56	6.988	13/16	13/16
13	1.713	5/16		57	7.106		
14	1.831	5/16		58	7.228		
15	1.949	5/16		59	7.346	13/16	
				60			
16	2.067	3/8			7.587		
17	2.185	3/8		62	7.823		
18	2.307	3/8		64	7.945	13/16	
19	2.425	3/8		65	8.063		
20	2.543	3/8		66	8.299	13/16	
				68	8.539	13/16	
				70			
21	2.661	3/8			8.780	13/16	
22	2.780	3/8		72	9.138	13/16	
23	2.902	3/8		75	9.256	13/16	
24	3.020	3/8		76	9.732	13/16	
25	3.138	3/8		80			
					10.331	1	
26	3.256	3/8		85	10.925		
27	3.374	3/8		90	11.524		
28	3.496	3/8		95	12.118		
29	3.614	3/8		100			
30	3.732	3/8			13.315		
31	3.854	1/2		110	13.791		
32	3.972	5/8		114	14.508		
33	4.091	5/8		120	15.102		
34	4.209	5/8		125			
35	4.331	5/8	5/8				
36	4.449	5/8					
37	4.567	5/8					
38	4.685	5/8	5/8				
39	4.807	5/8					
40	4.925	5/8	5/8				
41	5.079	5/8					
42	5.201	5/8					
43	5.319	5/8					
44	5.437	5/8					
45	5.555	5/8	13/16				
46	5.677	5/8					
47	5.795	13/16					
48	5.913	13/16	13/16				
49	6.035	13/16					
50	6.154	13/16					
	6.272						

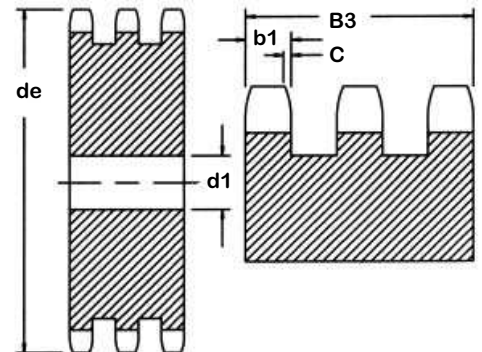
35A



D35A

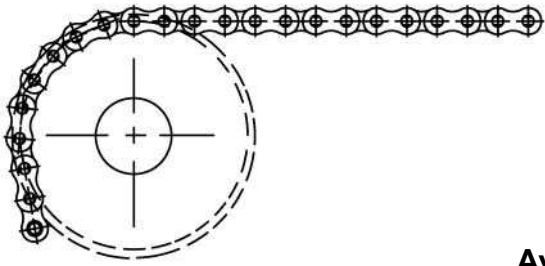


T35A



STAINLESS STEEL SPROCKETS QUOTED AND STOCKED UPON REQUEST.

American Standard (ANSI) MPB Steel Sprockets ANSI B29.1



NO. 35 TYPE B

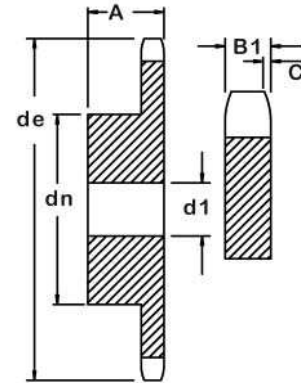
CHAIN WIDTH:	3/8" X 3/16"
PITCH:	3/8"
ROLLER WIDTH:	3/16"
ROLLER DIA.:	0.200"
SPKT. WIDTH:	
SINGLE B1	0.169"
DOUBLE B1	0.161"
DOUBLE B2	0.563"

Available in Standard ANSI
or Metric (ISO) Bores, Keyways
and (2) Setscrews

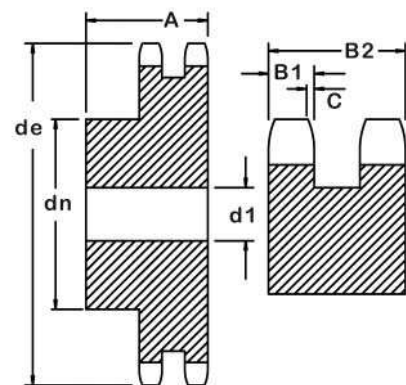
All Dimensions in Inches

Teeth T	Outside Dia. de	Pitch Dia. dp	Hub Diameter dn ±1/16"		Min. Bore d1 ±1/16"		Total Width A ±1/16"	
			35	D35	35	D35	35	D35
8	1.126	0.980	9/16		5/16		13/16	
9	1.240	1.096	11/16		5/16		13/16	
10	1.358	1.213	13/16		5/16		13/16	
11	1.476	1.331	7/8		5/16		1	
12	1.594	1.449	1	1	5/16	3/8	1	1 3/16
13	1.713	1.567	1 1/8	1 1/8	5/16	3/8	1	1 3/16
14	1.831	1.685	1 1/4	1 1/4	5/16	3/8	1	1 3/16
15	1.949	1.804	1 5/16	1 5/16	5/16	3/8	1	1 3/16
16	2.067	1.922	1 7/16	1 7/16	3/8	1/2	1 1/8	1 3/16
17	2.185	2.041	1 9/16	1 9/16	3/8	1/2	1 1/8	1 3/16
18	2.307	2.159	1 11/16	1 11/16	3/8	1/2	1 1/8	1 3/16
19	2.425	2.278	1 12/16	1 13/16	3/8	1/2	1 1/8	1 3/16
20	2.543	2.397	1 13/16	1 15/16	3/8	1/2	1 1/8	1 3/16
21	2.661	2.516	1 7/8	2 1/16	1/2	5/8	1 1/8	1 3/16
22	2.780	2.635	1 15/16	2 3/16	1/2	5/8	1 1/8	1 3/16
23	2.902	2.754	2 1/16	2 5/16	1/2	5/8	1 1/8	1 3/16
24	3.020	2.873	2 1/8	2 3/8	1/2	5/8	1 1/8	1 3/16
25	3.138	2.992	2 2/8	2 1/2	1/2	5/8	1 1/8	1 3/16
26	3.256	3.111	2 3/8	2 1/2	1/2	5/8	1 1/8	1 3/16
27	3.374	3.230	2 3/8	2 3/4	1/2	5/8	1 1/8	1 3/16
28	3.496	3.349	2 3/8	2 7/8	1/2	5/8	1 1/8	1 3/16
29	3.614	3.468	2 3/8		1/2	5/8	1 1/8	1 3/16
30	3.732	3.587	2 3/8	3 1/8	1/2	5/8	1 1/8	1 3/16
31	3.854	3.707	2 9/16		9/16	5/8	1 3/16	1 3/16
32	3.972	3.826	2 9/16	3 1/8	9/16	5/8	1 3/16	1 3/16
33	4.091	3.945	2 9/16		9/16	5/8	1 3/16	1 3/16
34	4.209	4.064	2 9/16	3 1/8	9/16	5/8	1 3/16	1 3/16
35	4.331	4.183	2 9/16	3 1/8	9/16	5/8	1 3/16	1 3/16
36	4.449	4.303	2 3/4	3 9/16	5/8	5/8	1 3/16	1 3/16
37	4.567	4.422	2 3/4		5/8	5/8	1 3/16	1 3/16
38	4.685	4.541	2 3/4	3 9/16	5/8	5/8	1 3/16	1 3/16
39	4.807	4.660			5/8	5/8	1 3/16	1 3/16
40	4.925	4.780	2 3/4	3 9/16	5/8	5/8	1 3/16	1 3/16

35B

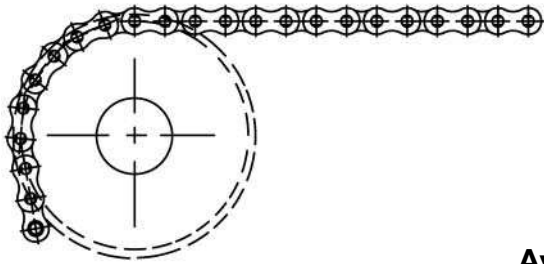


D35B



STAINLESS STEEL SPROCKETS QUOTED AND STOCKED UPON REQUEST.

American Standard (ANSI) MPB Steel Sprockets ANSI B29.1



NO. 40 TYPE A

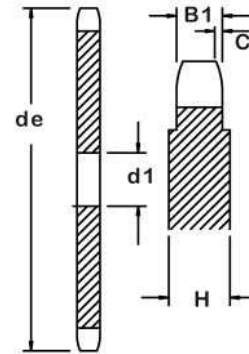
CHAIN WIDTH:	1/2" x 5/16"
PITCH:	1/2"
ROLLER WIDTH:	5/16"
ROLLER DIA.:	0.313"
SPKT. WIDTH:	
SINGLE B1	0.283"
MULTI b1	0.276"
DOUBLE B2	0.843"
TRIPLE B3	1.409"

Available in Standard ANSI
or Metric (ISO) Bores, Keyways
and (2) Setscrews

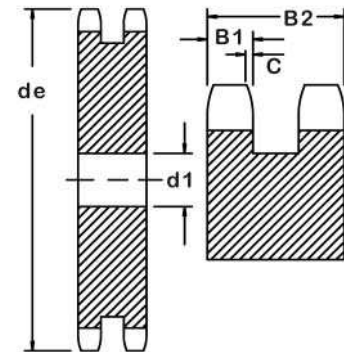
All Dimensions in Inches

Teeth T	Outside Dia. de	Min. Bore d1 ±1/16"			Teeth T	Outside Dia. de	Min. Bore d1 ±1/16"		
		40	D40	T40			40	D40	T40
8	1.547				51	8.543	13/16		
9	1.701				52	8.701	13/16		
10	1.858	5/16			53	8.858	13/16		
11	2.016				54	9.020	13/16		
12	2.173				55		13/16		
13	2.331	3/8			56	9.177			
14	2.488	3/8			57	9.339	13/16		
15	2.646	3/8			58	9.496	13/16	1	
16	2.803	3/8			59	9.654	13/16		
17	2.961	3/8			60	9.815	13/16		
18	3.118	3/8				10.134			
19	3.280	3/8			62	10.449			
20	3.437	3/8			64	10.610			
21	3.594	4/8			65	10.768	1		
22	3.756	4/8			66	11.087			
23	3.913	4/8			68	11.406			
24	4.071	4/8			70		1		
25	4.228	4/8				11.724			
26	4.390	5/8			72	12.201			
27	4.547	5/8			75	12.358			
28	4.705	5/8			76	12.677			
29	4.866	5/8			78	12.996			
30	5.024	5/8			80				
31	5.181	5/8				13.791			
32	5.343	5/8			85	14.587			
33	5.500	5/8			90	15.382			
34	5.661	5/8			95				
35	5.819	5/8	5/8			16.177			
36	5.976	5/8			100	17.772			
37	6.138	5/8			110	18.406			
38	6.295	5/8	13/16		114	19.362			
39	6.453	5/8			120	20.157			
40	6.614	5/8	13/16		125				
41	6.791								
42	6.953								
43	7.110								
44	7.268	13/16							
45	7.429	13/16	13/16						
46	7.587	13/16							
47	7.748	13/16							
48	7.906	13/16	13/16						
49	8.063	13/16							
50	8.224	13/16							
	8.382								

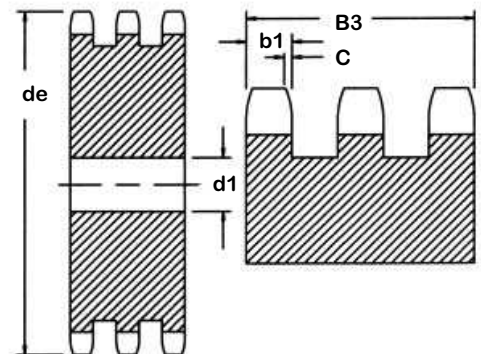
40A



D40A

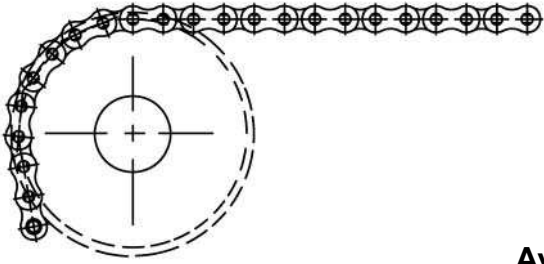


T40A



STAINLESS STEEL SPROCKETS QUOTED AND STOCKED UPON REQUEST.

American Standard (ANSI) MPB Steel Sprockets ANSI B29.1



NO. 40 TYPE B

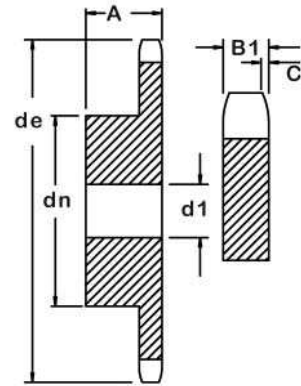
CHAIN WIDTH:	1/2" x 5/16"
PITCH:	1/2"
ROLLER WIDTH:	5/16"
ROLLER DIA.:	0.313"
SPKT. WIDTH:	
SINGLE B1	0.283"
MULTI b1	0.276"
DOUBLE B2	0.843"
TRIPLE B3	1.409"

Available in Standard ANSI
or Metric (ISO) Bores, Keyways
and (2) Setscrews

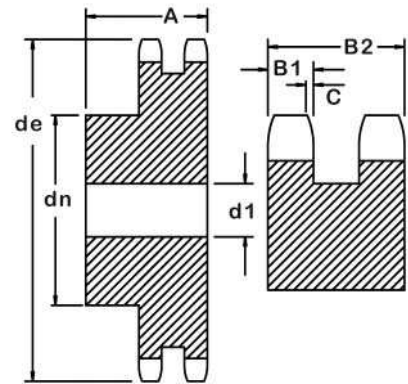
All Dimensions in Inches

Teeth T	Out- side Dia.	Pitch Dia. dp	Hub Diameter dn ±1/16"			Min. Bore d1 ±1/16"			Total Width A ±1/16"		
			40	D40	T40	40	D40	T40	40	D40	T40
8	1.547	1.306	13/16			3/8	3/8		1		
9	1.701	1.462	15/16			3/8	3/8	5/8	1		1 15/16
10	1.858	1.618	1	1 1/8	1 5/8	3/8	3/8		1	1 1/4	
11	2.016	1.774	1 1/8		1 13/16	3/8	1/2	5/8	1		1 15/16
12	2.173	1.932	1 5/16	1 3/8	1 15/16	3/8	1/2	5/8	1 1/8	1 3/8	1 15/16
13	2.331	2.089	1 7/16	1 1/2	2 1/8	3/8	1/2	5/8	1 1/8	1 3/8	1 15/16
14	2.488	2.247	1 5/8	1 5/8	2 5/16	3/8	1/2	5/8	1 1/8	1 3/8	1 15/16
15	2.646	2.405	1 3/4	1 13/16	2 7/16	3/8	1/2		1 1/8	1 3/8	
16	2.803	2.563	1 15/16	1 15/16	2 5/8	1/2	5/8	5/8	1 1/8	1 1/2	1 15/16
17	2.961	2.721	2 1/16	2 1/8	2 3/4	1/2	5/8		1 1/8	1 1/2	2 3/16
18	3.118	2.880	2 3/16	2 5/16		1/2	5/8		1 1/8	1 1/2	
19	3.280	3.038	2 3/8	2 7/16		1/2	5/8	5/8	1 1/8	1 1/2	2 3/16
20	3.437	3.196	2 1/2	2 5/8	3 1/8	1/2	5/8		1 1/8	1 1/2	
21	3.594	3.355	2 11/16	2 3/4		9/16	5/8		1 1/8	1 9/16	
22	3.756	3.513	2 3/4	2 3/4		9/16	5/8		1 1/8	1 9/16	
23	3.913	3.672	2 3/4	2 3/4		9/16	5/8		1 1/8	1 9/16	
24	4.071	3.830	2 3/4	2 15/16		9/16	5/8	13/16	1 1/8	1 9/16	2 3/16
25	4.228	3.989	2 3/4	3 1/8	3 15/16	9/16	5/8		1 1/8	1 9/16	
26	4.390	4.148	2 3/4	3 3/8		5/8	5/8		1 3/16	1 9/16	
27	4.547	4.307	2 3/4	3 3/8		5/8	5/8		1 3/16	1 9/16	
28	4.705	4.465	2 3/4	3 9/16		5/8	5/8		1 3/16	1 9/16	
29	4.866	4.624	3 1/8			5/8	5/8		1 3/16		
30	5.024	4.783	3 1/8	3 15/16		5/8	5/8		1 3/16	1 9/16	
31	5.181	4.943	3 9/16			5/8	5/8		1 3/16		
32	5.343	5.101	3 9/16			5/8	5/8		1 3/16		
33	5.500	5.260	3 9/16			5/8	5/8		1 3/16		
34	5.661	5.419	3 9/16			5/8	5/8		1 3/16		
35	5.819	5.578	3 9/16	3 15/16		5/8	5/8		1 3/16	1 9/16	
36	5.976	5.737	3 9/16			5/8			1 3/8		
37	6.138	5.896	3 9/16			5/8			1 3/8		
38	6.295	6.055	3 9/16	3 15/16		5/8	13/16		1 3/8	1 9/16	
39	6.453	6.214	3 9/16			5/8			1 3/8		
40	6.614	6.373	3 9/16	3 15/16		5/8	13/16		1 3/8	1 9/16	
42	6.949	6.691	3 9/16			3/4			1 5/8		

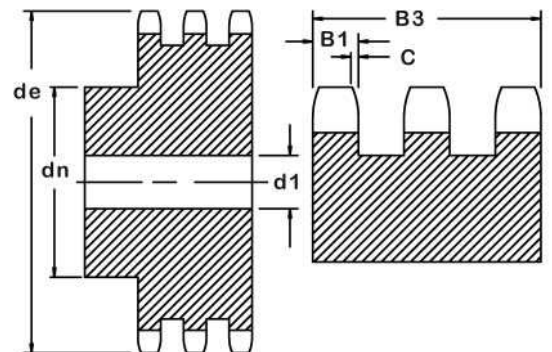
40B



D40B

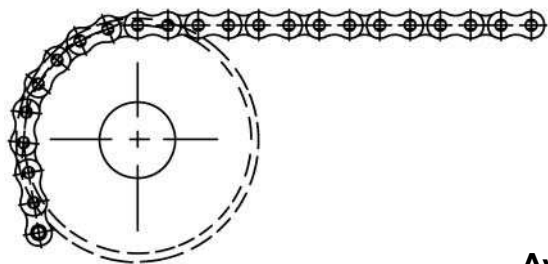


T40B



STAINLESS STEEL SPROCKETS QUOTED AND STOCKED UPON REQUEST.

American Standard (ANSI) MPB Steel Sprockets ANSI B29.1



NO. 41 TYPE A & B

CHAIN WIDTH: 1/2" X 1/4"
 PITCH: 1/2"
 ROLLER WIDTH: 1/4"
 ROLLER DIA.: 0.504"
 SPKT. WIDTH:
 SINGLE B1 0.232"

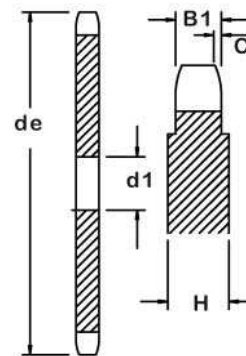
Available in Standard ANSI
 or Metric (ISO) Bores, Keyways
 and (2) Setscrews

All Dimensions in Inches

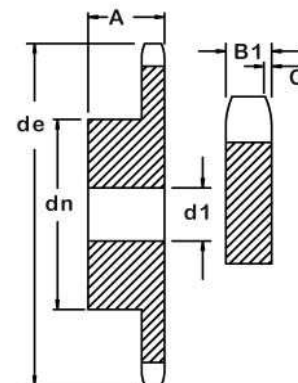
For plate sprockets
 with 71 teeth or more
 H = 0.28"

Teeth T	Outside Dia. de	Min. Bore d1 ±1/16"		Hub Dia. dn ±1/16"	Total Width A ±1/16"	Teeth T	Outside Dia. de	Min. Bore d1 ±1/16" 41A
		41A	41B					
8	1.555	5/16	3/8	13/16	1	46	7.594	13/16
9	1.709	5/16	3/8	15/16	1	47	7.752	13/16
10	1.866	5/16	3/8	1	1	48	7.913	13/16
						49	8.071	13/16
						50	8.232	13/16
11	2.024	5/16	5/16	1 1/8	1	51	8.390	
12	2.181	5/16	5/16	1 5/16	1 1/8	52	8.547	13/16
13	2.339	5/16	5/16	1 7/16	1 1/8	53	8.709	
14	2.496	5/16	5/16	1 5/8	1 1/8	54	8.866	13/16
15	2.654	5/16	5/16	1 3/4	1 1/8	55	9.028	
						56	9.185	13/16
16	2.811	3/8	3/8	1 15/16	1 1/8	57	9.343	13/16
17	2.969	3/8	3/8	2 1/16	1 1/8	58	9.504	13/16
18	3.126	3/8	3/8	2 3/16	1 1/8	59	9.661	
19	3.287	3/8	3/8	2 3/8	1 1/8	60	9.823	13/16
20	3.445	3/8	3/8	2 1/2	1 1/8			
						62	10.138	13/16
21	3.602	3/8	3/8	2 11/16	1 1/8	64	10.457	
22	3.760	3/8	3/8	2 3/4	1 1/8	65	10.618	13/16
23	3.921	3/8	3/8	2 3/4	1 1/8	66	10.776	
24	4.079	3/8	3/8	2 3/4	1 1/8	68	11.094	
25	4.236	3/8	3/8	2 3/4	1 1/8	70	11.413	1
26	4.398	1/2	1/2	2 3/4	1 3/16	72	11.732	
27	4.555	1/2	1/2	2 3/4	1 3/16	75	12.209	
28	4.713	1/2	1/2	2 3/4	1 3/16	76	12.366	1
29	4.874	1/2	1/2	3 1/8	1 3/16	80	13.004	1
30	5.031	1/2	1/2	3 1/8	1 3/16	85	13.799	1
						90	14.594	1
31	5.189	1/2	1/2	3 9/16	1 3/16	95	15.390	1
32	5.350	1/2	1/2	3 9/16	1 3/16	100	16.185	1
33	5.508	1/2	1/2	3 9/16	1 3/16	110	17.776	1
34	5.665	1/2	1/2	3 9/16	1 3/16	114	18.413	1
35	5.827	1/2	1/2	3 9/16	1 3/16	120	19.370	1
						125	20.165	1
36	5.984	5/8	5/8	3 9/16	1 3/8			
37	6.146	5/8	5/8	3 9/16	1 3/8			
38	6.303	5/8	5/8	3 9/16	1 3/8			
39	6.461	5/8	5/8	3 9/16	1 3/8			
40	6.622	5/8	5/8	3 9/16	1 3/8			
41	6.799	5/8						
42	6.957	5/8						
43	7.118	5/8						
44	7.276	5/8						
45	7.437	5/8						

41A

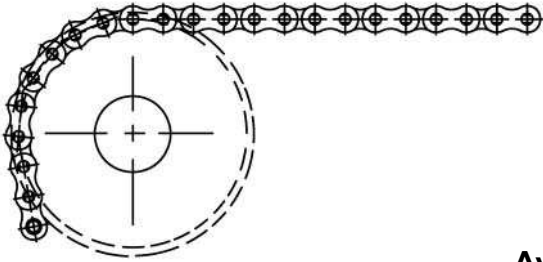


41B



STAINLESS STEEL SPROCKETS QUOTED AND STOCKED UPON REQUEST.

American Standard (ANSI) MPB Steel Sprockets ANSI B29.1



NO. 50 TYPE A

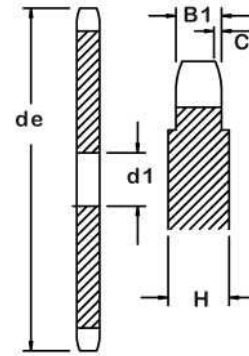
CHAIN WIDTH:	5/8" x 3/8"
PITCH:	5/8"
ROLLER WIDTH:	3/8"
ROLLER DIA.:	0.400"
SPKT. WIDTH:	
SINGLE B1	0.343"
MULTI b1	0.331"
DOUBLE B2	1.043"
TRIPLE B3	1.756"

Available in Standard ANSI
or Metric (ISO) Bores, Keyways
and (2) Setscrews

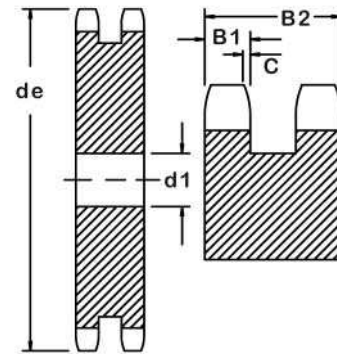
All Dimensions in Inches

Teeth T	Outside Dia. de	Min. Bore d1 ±1/16"			Teeth T	Outside Dia. de	Min. Bore d1 ±1/16"		
		50	D50	T50			50	D50	T50
8	1.906	3/8			51	10.681	13/16		
9	2.098	3/8			52	10.882	13/16		
10	2.295	3/8			53	11.079	13/16		
					54	11.280	13/16		
					55		13/16		
11	2.488	3/8			56	11.476			
12	2.685	3/8			57	11.677	1		
13	2.882	3/8			58	11.874	1		
14	3.079	1/2			59	12.075	1	1	
15	3.276	1/2			60	12.272	1		
16	3.476	1/2				12.669			
17	3.673	1/2			62	13.067	1		
18	3.870	1/2			64	13.268	1		
19	4.067	1/2			65	13.465	1		
20	4.268	1/2			66	13.862	1		
					68	14.260	1		
21	4.465	5/8			70		1		
22	4.661	5/8				14.657			
23	4.862	5/8			72	15.256	1		
24	5.059	5/8			75	15.453	1		
25	5.260	5/8			76	15.850	1		
					78	16.248	1		
26	5.457	5/8			80		1		
27	5.654	5/8				17.244			
28	5.854	5/8			85	18.240	1 3/16		
29	6.051	5/8			90	19.232	1 3/16		
30	6.252	5/8			95		1 3/16		
						20.228			
31	6.449	5/8			100	22.217	1 3/16		
32	6.650	5/8	13/16		110	23.012	1 3/16		
33	6.846	5/8			114	24.205	1 3/16		
34	7.043	5/8			120	25.201	1 3/16		
35	7.244	5/8	13/16		125		1 3/16		
36	7.441	13/16							
37	7.642	13/16							
38	7.839	13/16	13/16						
39	8.039	13/16							
40	8.236	13/16	13/16						
41	8.496	13/16							
42	8.693	13/16							
43	8.894	13/16							
44	9.091	13/16							
45	9.291	13/16		1					
46	9.488	13/16							
47	9.689	13/16							
48	9.886	13/16		1					
49	10.087	13/16							
50	10.283	13/16							
	10.484								

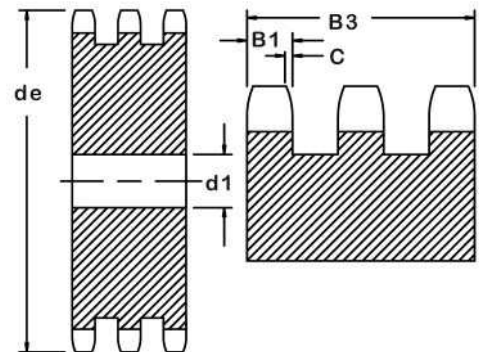
50A



D50A

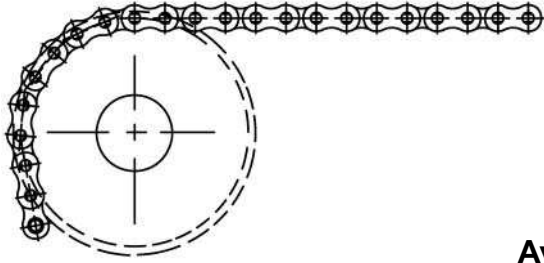


T50A



STAINLESS STEEL SPROCKETS QUOTED AND STOCKED UPON REQUEST.

American Standard (ANSI) MPB Steel Sprockets ANSI B29.1



NO. 50 TYPE B

CHAIN WIDTH:	5/8" x 3/8"
PITCH:	5/8"
ROLLER WIDTH:	3/8"
ROLLER DIA.:	0.400"
SPKT. WIDTH:	
SINGLE B1	0.343"
MULTI b1	0.331"
DOUBLE B2	1.043"
TRIPLE B3	1.756"

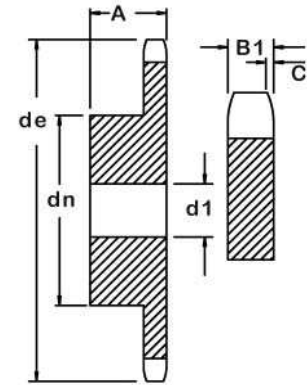
Available in Standard ANSI
or Metric (ISO) Bores, Keyways
and (2) Setscrews

All Dimensions in Inches

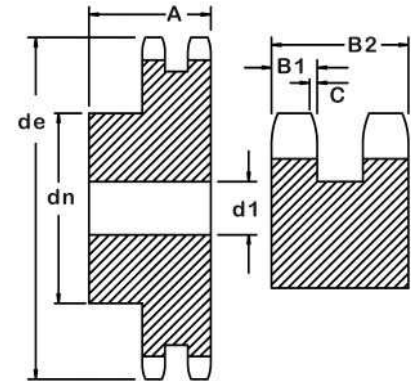
Teeth T	Out- side Dia.	Pitch Dia. dp	Hub Diameter dn ±1/16"			Min. Bore d1 ±1/16"			Total Width A ±1/16"		
			50	D50	T50	50	D50	T50	50	D50	T50
8	1.906	1.633	1			3/8			1		
9	2.098	1.828	1 3/16			3/8		5/8	1		2 3/16
10	2.295	2.022	1 3/8	1 3/8	1 3/4	3/8	1/2	5/8	1	1 9/16	2 3/16
11	2.488	2.218	1 7/16		2 1/8	1/2		5/8	1 3/16		2 3/16
12	2.685	2.415	1 5/8	1 3/4		1/2	5/8	5/8	1 3/16	1 9/16	2 3/16
13	2.882	2.611	1 7/8	1 15/16	2 5/16	1/2	5/8	5/8	1 3/16	1 9/16	2 3/8
14	3.079	2.809	2 1/16	2 1/8	2 1/2	1/2	5/8	5/8	1 3/16	1 9/16	2 3/8
15	3.276	3.006	2 1/4	2 5/16	2 11/16	1/2	5/8	5/8	1 3/16	1 9/16	2 3/8
16	3.476	3.204	2 3/8	2 1/2	3 1/8	1/2	5/8	5/8	1 3/16	1 3/4	2 3/8
17	3.673	3.401	2 3/8	2 11/16		1/2	5/8	5/8	1 3/16	1 3/4	2 3/8
18	3.870	3.599	2 3/4	2 7/8	3 5/16	9/16	5/8	13/16	1 3/16	1 3/4	2 3/8
19	4.067	3.797	2 15/16	3 1/8	3 3/8	9/16	5/8		1 3/16	1 3/4	
20	4.268	3.996	2 15/16	3 5/16		9/16	5/8	13/16	1 3/16	1 3/4	2 3/8
21	4.465	4.194	3 1/8	3 3/8	4 1/8	5/8	13/16		1 3/16	1 3/4	
22	4.661	4.392	3 1/8	3 9/16		5/8	13/16		1 3/16	1 3/4	
23	4.862	4.590	3 1/8	3 3/4		5/8	13/16		1 3/16	1 3/4	
24	5.059	4.788	3 1/8	3 15/16		5/8	13/16		1 3/16	1 3/4	
25	5.260	4.987	3 1/8	4 1/8		5/8	13/16	13/16	1 3/16	1 3/4	2 1/4
26	5.457	5.185	3 3/8	4 5/16	4 3/4	13/16	13/16		1 3/8	1 3/4	
27	5.654	5.384	3 3/8	4 5/16		13/16	13/16		1 3/8	1 3/4	
28	5.854	5.582	3 9/16	4 1/2		13/16	13/16		1 3/8	1 3/4	
29	6.051	5.781	3 9/16			13/16	13/16		1 3/8	1 3/4	
30	6.252	5.979	3 9/16	4 3/4		13/16	13/16		1 3/8	1 3/4	
31	6.449	6.178	3 3/4			13/16	13/16		1 3/8	1 3/4	
32	6.650	6.376	3 3/4	4 3/4		13/16	13/16		1 3/8	1 3/4	
33	6.846	6.575	3 3/4			13/16	13/16		1 3/8	1 3/4	
34	7.043	6.774	3 3/4			13/16	13/16		1 3/8	1 3/4	
35	7.244	6.972	3 3/4	4 3/4		13/16	13/16		1 3/8	1 3/4	
36	7.441	7.171	3 15/16			13/16	13/16		1 3/8	1 3/4	
37	7.642	7.370	3 15/16			13/16	13/16		1 3/8	1 3/4	
38	7.839	7.569	3 15/16	4 3/4		13/16	13/16		1 3/8	1 3/4	
39	8.039	7.767	3 15/16			13/16	13/16		1 3/8	1 3/4	
40	8.236	7.966	3 15/16	4 3/4		13/16	13/16		1 3/8	1 3/4	
42	8.637	8.364	3 15/16	4 3/4		1	1		1 3/8	1 3/4	
43	8.854	8.563	3 15/16	4 3/4		1	1		1 3/8	1 3/4	

STAINLESS STEEL SPROCKETS QUOTED AND STOCKED UPON REQUEST.

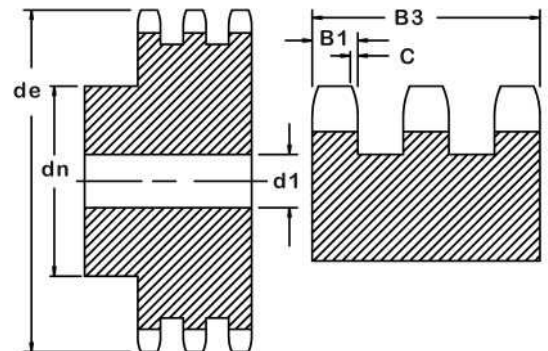
50B



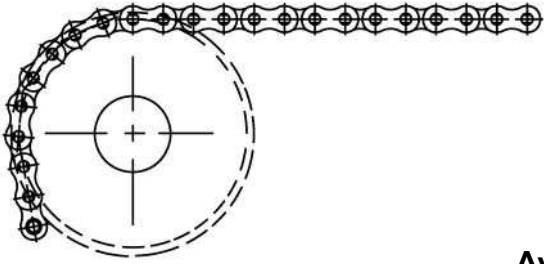
D50B



T50B



American Standard (ANSI) MPB Steel Sprockets ANSI B29.1



NO. 60 TYPE A

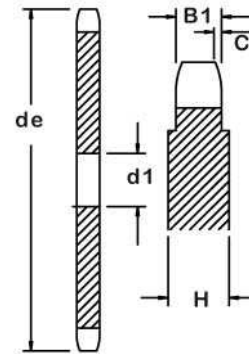
CHAIN WIDTH:	3/4" x 1/2"
PITCH:	3/4"
ROLLER WIDTH:	1/2"
ROLLER DIA.:	0.469"
SPKT. WIDTH:	
SINGLE B1	0.457"
MULTI b1	0.445"
DOUBLE B2	1.343"
TRIPLE B3	2.240"

Available in Standard ANSI
or Metric (ISO) Bores, Keyways
and (2) Setscrews

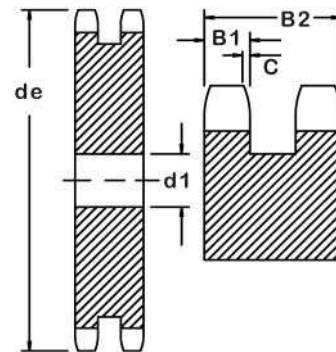
All Dimensions in Inches

Teeth T	Outside Dia. de	Min. Bore d1 ±1/16"			Teeth T	Outside Dia. de	Min. Bore d1 ±1/16"		
		60	D60	T60			60	D60	T60
8	2.287				51	12.827			
9	2.520				52	13.063	1		
10	2.756	3/8			53	13.303			
					54	13.539	1		
11	2.992				55		1		
12	3.224	1/2				13.780			
13	3.461	1/2			56	14.020			
14	3.701	5/8			57	14.256	1		
15	3.937	5/8			58	14.496		1	
					59	14.732			
16	4.173	5/8			60		1		
17	4.409	5/8				15.213			
18	4.646	5/8			62	15.689	1		
19	4.886	5/8			64	15.925			
20	5.122	5/8			65	16.165			
					66	16.642	1 3/16		
21	5.362	5/8			68	17.122	1 3/16		
22	5.598	5/8			70		1 3/16		
23	5.835	5/8				17.598			
24	6.075	5/8			72	18.315	1 3/16		
25	6.311	5/8			75	18.551			
					76	19.028	1 3/16		
26	6.551	5/8			78	19.508			
27	6.787	5/8			80		1 3/16		
28	7.028	5/8				20.701			
29	7.264	5/8			85	21.894			
30	7.504	5/8			90	23.087			
					95				
31	7.740	13/16				24.280			
32	7.980	13/16	13/16		100	26.669			
33	8.220	13/16			110	27.622			
34	8.457	13/16			114	29.055			
35	8.697	13/16	13/16		120	30.248			
					125				
36	8.933	13/16							
37	9.173	13/16							
38	9.409	13/16	1						
39	9.650	13/16							
40	9.886	13/16	1						
41	10.201	1							
42	10.441	1							
43	10.677								
44	10.917	1							
45	11.154	1	1						
46	11.394	1							
47	11.634								
48	11.870	1	1						
49	12.110								
50	12.346	1							
	12.587								

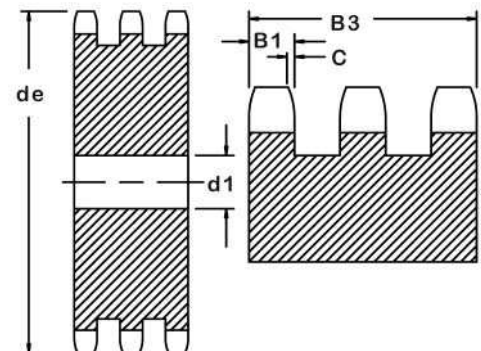
60A



D60A



T60A



STAINLESS STEEL SPROCKETS QUOTED AND STOCKED UPON REQUEST.

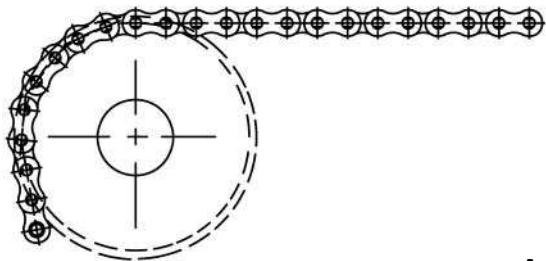


American Metric® Corporation

GROUP: 084

1-084-050103

American Standard (ANSI) MPB Steel Sprockets ANSI B29.1



NO. 60 TYPE B

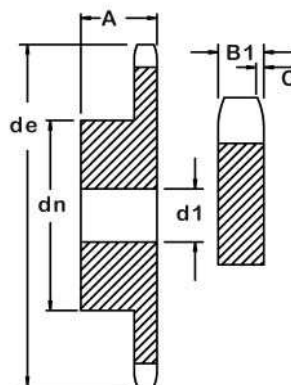
CHAIN WIDTH:	3/4" x 1/2"
PITCH:	3/4"
ROLLER WIDTH:	1/2"
ROLLER DIA.:	0.469"
SPKT. WIDTH:	
SINGLE B1	0.457"
MULTI b1	0.445"
DOUBLE B2	1.343"
TRIPLE B3	2.240"

Available in Standard ANSI
or Metric (ISO) Bores, Keyways
and (2) Setscrews

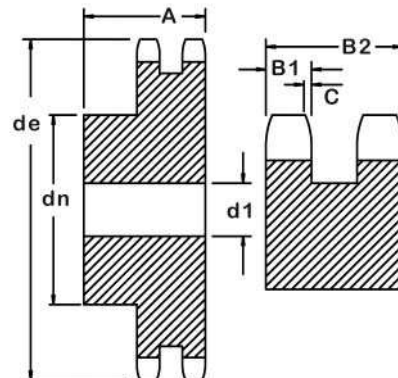
All Dimensions in Inches

Teeth T	Out- side Dia.	Pitch Dia. dp	Hub Diameter dn ±1/16"			Min. Bore d1 ±1/16"			Total Width A ±1/16"		
			60	D60	T60	60	D60	T60	60	D60	T60
8	2.287	1.960	1 1/4		2 1/16	1/2			1 3/16		
9	2.520	2.193	1 7/16			1/2		13/16	1 3/16		2 3/4
10	2.756	2.427	1 5/8	1 5/8	2 9/16	1/2	5/8		1 3/16	1 3/4	
11	2.992	2.662	1 13/16	1 7/8	2 13/16	5/8	5/8	13/16	1 3/8	1 15/16	2 3/4
12	3.224	2.898	2 1/16	2 1/16	3 1/16	5/8	5/8	13/16	1 3/8	1 15/16	2 3/4
13	3.461	3.133	2 5/16	2 5/16	3 1/4	5/8	5/8	13/16	1 3/8	1 15/16	2 3/4
14	3.701	3.370	2 1/2	2 9/16	3 1/2	5/8	13/16	13/16	1 3/8	1 15/16	2 3/4
15	3.937	3.607	2 3/4	2 13/16	3 3/4	5/8	13/16		1 3/8	1 15/16	
16	4.173	3.844	2 15/16	3 1/16	3 15/16	5/8	13/16	13/16	1	1 3/8	1 15/16
17	4.409	4.081	3 1/8	3 1/4	3 15/16	5/8	13/16		1 3/8	1 15/16	2 3/4
18	4.646	4.319	3 1/8	3 1/2		5/8	13/16		1 3/8	1 15/16	
19	4.886	4.557	3 1/8	3 3/4		5/8	13/16	1	1 3/8	1 15/16	2 3/4
20	5.122	4.794	3 1/8	3 15/16	4 3/4	5/8	13/16		1 3/8	1 15/16	
21	5.362	5.032	3 9/16	3 15/16		13/16	13/16		1 9/16	1 15/16	
22	5.598	5.270	3 9/16	3 15/16		13/16	13/16		1 9/16	1 15/16	
23	5.835	5.508	3 9/16	4 5/16		13/16	13/16		1 9/16	1 15/16	
24	6.075	5.746	3 9/16	4 5/16		13/16	13/16	1	1 9/16	1 15/16	2 3/4
25	6.311	5.984	3 9/16	4 3/4	4 3/4	13/16	13/16		1 9/16	1 15/16	
26	6.551	6.222	3 3/4	4 3/4		13/16	13/16		1 9/16	1 15/16	
27	6.787	6.460	3 3/4	4 3/4		13/16	13/16		1 9/16	1 15/16	
28	7.028	6.698	3 3/4	4 3/4		13/16	13/16		1 9/16	1 15/16	
29	7.264	6.937	3 3/4	4 3/4		13/16	13/16		1 9/16	1 15/16	
30	7.504	7.175	3 3/4	4 3/4		13/16	13/16		1 9/16	1 15/16	
31	7.740	7.414	3 3/4	4 3/4		13/16	13/16		1 9/16	1 15/16	
32	7.980	7.652	3 3/4	4 3/4		13/16	13/16		1 9/16	1 15/16	
33	8.220	7.890	3 3/4	4 3/4		13/16	13/16		1 9/16	1 15/16	
34	8.457	8.128	3 3/4	4 3/4		13/16	13/16		1 9/16	1 15/16	
35	8.697	8.367	3 3/4	4 3/4		13/16	13/16		1 9/16	1 15/16	
36	8.933	8.606	3 15/16	4 3/4					1 9/16	1 15/16	
37	9.173	8.844	3 15/16	4 3/4		13/16			1 9/16	1 15/16	
38	9.409	9.082	3 15/16	4 3/4		1	1		1 9/16	1 15/16	
39	9.650	9.321	3 15/16	4 3/4		1	1		1 9/16	1 15/16	
40	9.886	9.559	3 15/16	4 3/4		1	1		1 9/16	1 15/16	
								13/16		2 3/4	

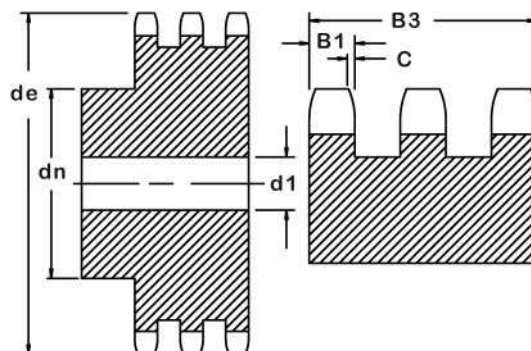
60B



D60B

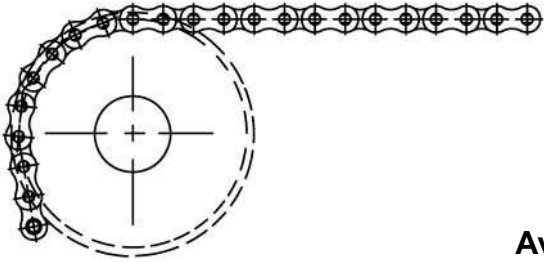


T60B



STAINLESS STEEL SPROCKETS QUOTED AND STOCKED UPON REQUEST.

American Standard (ANSI) MPB Steel Sprockets ANSI B29.1



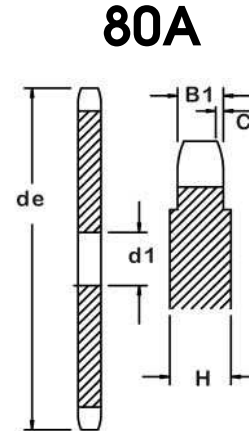
NO. 80 TYPE A

CHAIN WIDTH:	1" x 5/8"
PITCH:	1"
ROLLER WIDTH:	5/8"
ROLLER DIA.:	0.625"
SPKT. WIDTH:	
SINGLE B1	0.575"
MULTI b1	0.555"
DOUBLE B2	1.709"
TRIPLE B3	2.862"

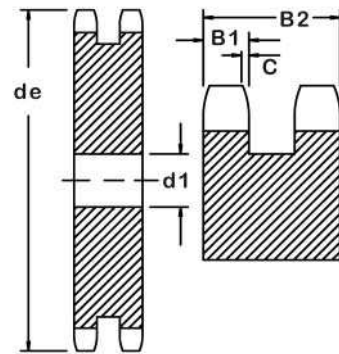
Available in Standard ANSI
or Metric (ISO) Bores, Keyways
and (2) Setscrews

All Dimensions in Inches

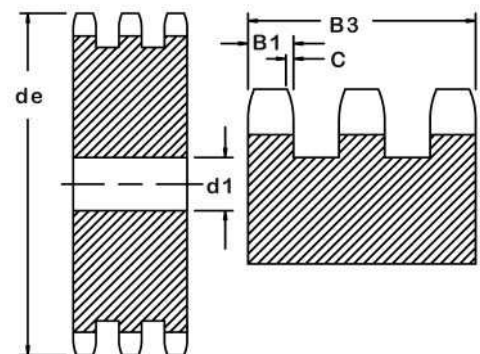
Teeth T	Outside Dia. de	Min. Bore d1 ±1/16"			Teeth T	Outside Dia. de	Min. Bore d1 ±1/16"		
		80	D80	T80			80	D80	T80
8	3.067	5/8	5/8	1	51	17.106	1 3/16		
9	3.378	5/8	5/8		52	17.421	1 3/16	1 3/16	
10	3.693	5/8	5/8		53	17.740	1 3/16		
					54	18.059	1 3/16		
11	4.004	5/8	13/16	1	55	18.378	1 3/16	1 3/16	
12	4.319	5/8	13/16			18.697	1 3/16	1 9/16	
13	4.634	5/8	13/16		56	18.697	1 3/16	1 9/16	
14	4.949	5/8	13/16		57	19.012	1 3/16	1 9/16	
15	5.264	5/8	13/16		58	19.331	1 3/16		
					59	19.650			
16	5.583	13/16	13/16		60	19.650	1 3/16	1 9/16	
17	5.898	13/16	13/16			20.287			
18	6.213	13/16	13/16		62	20.921	1 3/16	1 9/16	
19	6.531	13/16	13/16		64	21.240	1 3/16		
20	6.846	13/16	13/16		65	21.559	1 3/16	1 9/16	
						21.559			
21	7.165	13/16	1		66	22.197	1 3/16		
22	7.484	13/16	1		68	22.831	1 3/16	1 9/16	
23	7.799	13/16	1		70	23.469	1 3/16	1 9/16	
24	8.118	13/16	1			23.469			
25	8.433	13/16	1		72	24.421	1 3/16	1 9/16	
					75	24.740	1 3/16	1 9/16	
26	8.752	13/16	1		76	25.378	1 3/16	1 9/16	
27	9.071	13/16	1		78	25.378	1 3/16		
28	9.386	13/16	1			26.012			
29	9.705	13/16	1		80	27.606	1 3/16	1 9/16	
30	10.024	13/16	1		85	29.197	1 3/16	1 9/16	
					90	30.787	1 3/16	1 9/16	
31	10.339	1	1		95	30.787	1 3/16	1 9/16	
32	10.657	1	1			32.378			
33	10.976	1	1		100	35.563	1 3/16	1 9/16	
34	11.295	1	1		110	36.835	1 3/16	1 9/16	
35	11.610	1	1		114	38.744	1 3/16	1 9/16	
					120	40.335	1 3/16	1 9/16	
36	11.929	1	1		125	40.335	1 3/16	1 9/16	
37	12.248	1	1						
38	12.567	1	1						
39	12.882	1	1						
40	13.201	1	1						
41	13.606	1							
42	14.083	1	1						
43	14.240	1	1						
44	14.559	1	1						
45	14.878	1	1						
46	15.197	1	1						
47	15.516	1							
48	15.831	1	1						
49	16.150	1							
50	16.469	1	1						
	16.787								



D80A

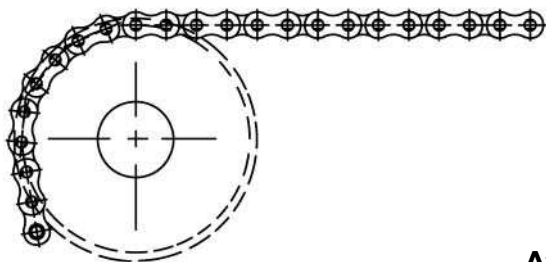


T80A



STAINLESS STEEL SPROCKETS QUOTED AND STOCKED UPON REQUEST.

American Standard (ANSI) MPB Steel Sprockets ANSI B29.1



NO. 80 TYPE B

CHAIN WIDTH:	1" x 5/8"
PITCH:	1"
ROLLER WIDTH:	5/8"
ROLLER DIA.:	0.625"
SPKT. WIDTH:	
SINGLE B1	0.575"
MULTI b1	0.555"
DOUBLE B2	1.709"
TRIPLE B3	2.863"

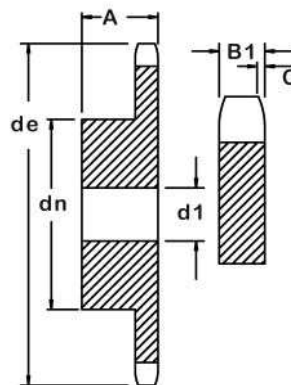
Available in Standard ANSI
or Metric (ISO) Bores, Keyways
and (2) Setscrews

All Dimensions in Inches

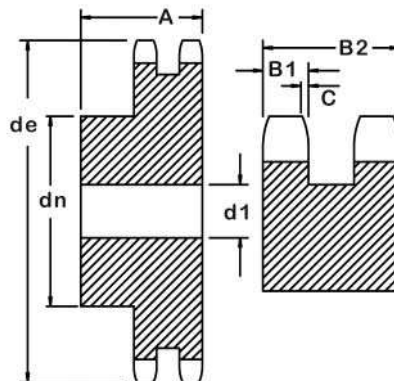
Teeth T	Out- side Dia.	Pitch Dia. do	Hub Diameter dn ±1/16"			Min. Bore d1 ±1/16"			Total Width A ±1/16"		
			80	D80	T80	80	D80	T80	80	D80	T80
8	3.067	2.613	1 5/8	1 5/8	2 1/16	5/8	13/16		1 3/8	2 9/16	
9	3.378	2.924	1 15/16	1 15/16		5/8	13/16		1 3/8	2 9/16	
10	3.693	3.236	2 3/16	2 3/16		5/8	13/16		1 3/8	2 9/16	
11	4.004	3.549	2 3/8	2 1/2		5/8	13/16	1	1 9/16	2 3/4	3 15/16
12	4.319	3.864	2 11/16	2 13/16	3 3/4	5/8	13/16	1	1 9/16	2 3/4	3 15/16
13	4.634	4.178	3 1/16	3 1/8	4 7/16	5/8	13/16		1 9/16	2 3/4	
14	4.949	4.494	3 5/16	3 7/16		5/8	13/16	1	1 9/16	2 3/4	3 15/16
15	5.264	4.810	3 5/8	3 3/4	5 1/16	5/8	13/16		1 9/16	2 3/4	
16	5.583	5.126	3 15/16	4 1/8		13/16	1	1	1 3/4	2 3/4	3 15/16
17	5.898	5.442	3 15/16	4 7/16	5 1/8	13/16	1		1 3/4	2 3/4	
18	6.213	5.759	3 15/16	4 3/4		13/16	1		1 3/4	2 3/4	
19	6.531	6.076	3 15/16	5 1/16		13/16	1		1 3/4	2 3/4	
20	6.846	6.393	3 15/16	5 1/8		13/16	1		1 3/4	2 3/4	
21	7.165	6.710	4 5/16	5 1/8	5 1/8	13/16	1		1 15/16	2 3/4	3 15/16
22	7.484	7.027	4 5/16	5 1/8		13/16	1		1 15/16	2 3/4	
23	7.799	7.344	4 5/16	5 1/8		13/16	1		1 15/16	2 3/4	
24	8.118	7.661	4 5/16	5 1/8		13/16	1		1 15/16	2 3/4	
25	8.433	7.979	4 5/16	5 1/8		13/16	1		1 15/16	2 3/4	
26	8.752	8.296	4 3/4	5 1/8		13/16	1		1 15/16	2 3/4	
27	9.071	8.614	4 3/4	5 1/8		13/16	1		1 15/16	2 3/4	
28	9.386	8.931	4 3/4	5 1/8		13/16	1		1 15/16	2 3/4	
29	9.705	9.249	4 3/4	5 1/8		13/16	1		1 15/16	2 3/4	
30	10.024	9.567	4 3/4	5 1/8		13/16	1		1 15/16	2 3/4	
31	10.339	9.885	4 3/4	5 1/2		1	1		1 15/16	2 3/4	
32	10.657	10.202	4 3/4	5 1/2		1	1		1 15/16	2 3/4	
33	10.976	10.520	4 3/4	5 1/2		1	1		1 15/16	2 3/4	
34	11.295	10.838	4 3/4	5 1/2		1	1		1 15/16	2 3/4	
35	11.610	11.156	4 3/4	5 1/2		1	1		1 15/16	2 3/4	
36	11.929	11.474	4 3/4	5 1/2		1	1		1 15/16	2 3/4	
37	12.248	11.792	4 3/4	5 1/2		1	1		1 15/16	2 3/4	
38	12.567	12.110	4 3/4	5 1/2		1	1		1 15/16	2 3/4	
39	12.882	12.428	4 3/4	5 1/2		1	1		1 15/16	2 3/4	
40	13.201	12.745	4 3/4	5 1/2		1	1		1 15/16	2 3/4	

STAINLESS STEEL SPROCKETS QUOTED AND STOCKED UPON REQUEST.

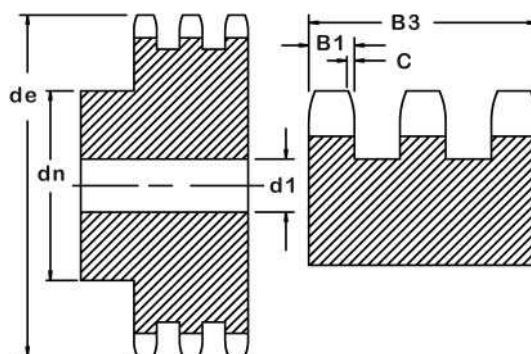
80B



D80B

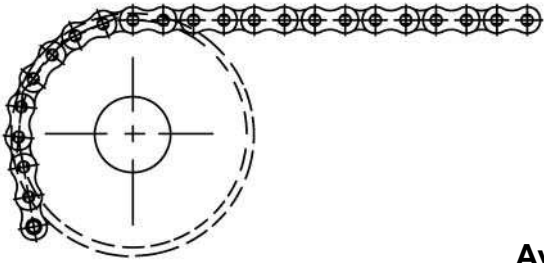


T80B



American Metric® Corporation

American Standard (ANSI) MPB Steel Sprockets ANSI B29.1



NO. 100 TYPE A

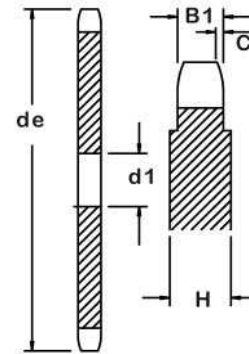
CHAIN WIDTH:	1-1/4" x 3/4"
PITCH:	1-1/4"
ROLLER WIDTH:	3/4"
ROLLER DIA.:	0.750"
SPKT. WIDTH:	
SINGLE B1	0.693"
MULTI b1	0.673"
DOUBLE B2	2.083"
TRIPLE B3	3.485"

Available in Standard ANSI
or Metric (ISO) Bores, Keyways
and (2) Setscrews

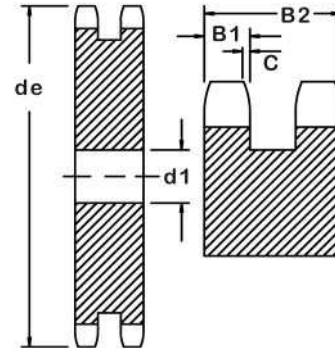
All Dimensions in Inches

Teeth T	Outside Dia. de	Min. Bore d1 ±1/16"			Teeth T	Outside Dia. de	Min. Bore d1 ±1/16"		
		100	D100	T100			100	D100	T100
8	3.780	13/16			51	21.331	20.305		
9	4.193	13/16			52	21.728	20.702		
10	4.606	13/16			53	22.126	21.100		
					54	22.524	21.499		
11	5.000	13/16			55		21.896		
12	5.394	13/16				22.921			
13	5.807	13/16			56	23.319	22.294		
14	6.205	13/16			57	23.717	22.691		
15	6.602	13/16			58	24.114	23.089		
					59	24.512	23.486		
16	6.996	1 3/16			60		23.884		
17	7.394	1 3/16				25.307			
18	7.787	1 3/16			62	26.102	24.680		
19	8.185	1 3/16			64	26.500	25.475		
20	8.579	1 3/16			65	26.898	25.872		
					66	27.693	26.270		
21	8.976	1 3/16			68	28.488	27.066		
22	9.374	1 3/16			70		27.861		
23	9.772	1 3/16				29.283			
24	10.169	1 3/16			72	30.480	28.657		
25	10.567	1 3/16			75	30.878	29.850		
					76	32.469	30.249		
26	10.961	1 3/16			80		31.839		
27	11.358	1 3/16				34.457			
28	11.752	1 3/16			85	36.445	33.829		
29	12.150	1 3/16			90	38.433	35.817		
30	12.547	1 3/16			95		37.806		
						40.421			
31	12.945	1 3/16			100	45.992	39.795		
32	13.343	1 3/16			114		45.365		
33	13.740								
34	14.138	1 3/16							
35	14.535	1 3/16							
36	14.929	1 3/16							
37	15.327								
38	15.724	1 3/16							
39	16.122								
40	16.520	1 3/16							
41	16.957								
42	17.354								
43	17.752								
44	18.150								
45	18.547								
46	18.945								
47	19.343								
48	19.740								
49	20.138								
50	20.535								
	20.933								

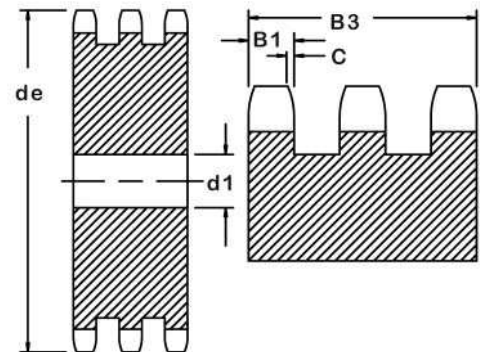
100A



D100A

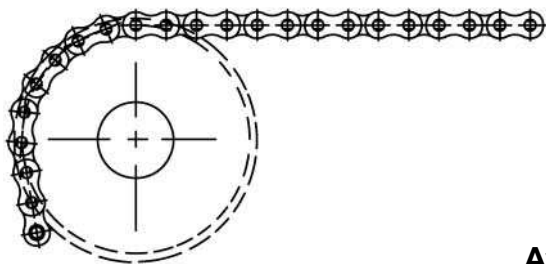


T100A



STAINLESS STEEL SPROCKETS QUOTED AND STOCKED UPON REQUEST.

American Standard (ANSI) MPB Steel Sprockets ANSI B29.1



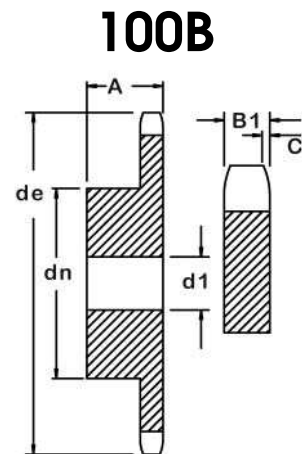
NO. 100 TYPE B

CHAIN WIDTH:	1-1/4" x 3/4"
PITCH:	1-1/4"
ROLLER WIDTH:	3/4"
ROLLER DIA.:	0.750"
SPKT. WIDTH:	
SINGLE B1	0.693"
MULTI b1	0.673"
DOUBLE B2	2.083"
TRIPLE B3	3.485"

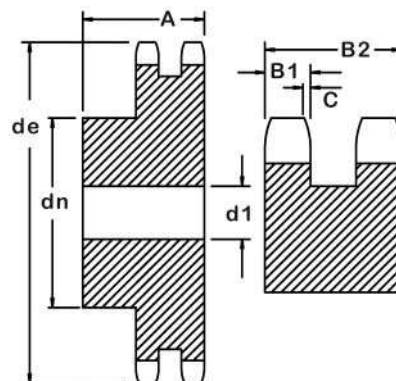
Available in Standard ANSI
or Metric (ISO) Bores, Keyways
and (2) Setscrews

All Dimensions in Inches

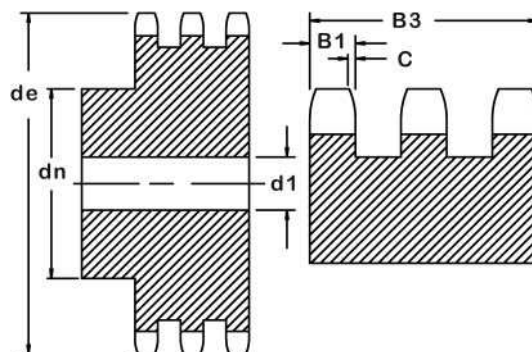
Teeth T	Out- side Dia.	Pitch Dia. dp	Hub Diameter dn ±1/16"			Min. Bore d1 ±1/16"			Total Width A ±1/16"		
			100	D100	T100	100	D100	T100	100	D100	T100
8	3.780	3.266	2 1/16	2 1/16		13/16	13/16		1 9/16	2 15/16	
9	4.193	3.655	2 1/2	2 1/2		13/16	13/16		1 9/16	2 15/16	
10	4.606	4.045	2 3/4	2 3/4		13/16	13/16		1 9/16	2 15/16	
11	5.000	4.436	3 1/16	3 1/8		13/16	1		1 3/4	3 1/8	
12	5.394	4.830	3 7/16	3 9/16		13/16	1		1 3/4	3 1/8	
13	5.807	5.222	3 7/8	3 15/16		13/16	1		1 3/4	3 1/8	
14	6.205	5.617	4 1/4	4 5/16		13/16	1		1 3/4	3 1/8	
15	6.602	6.013	4 5/8	4 3/4		13/16	1		1 3/4	3 1/8	
16	6.996	6.407	4 3/4	4 3/4		1	1 3/16		1 15/16	3 1/8	
17	7.394	6.802	4 3/4	4 3/4		1	1 3/16		1 15/16	3 1/8	
18	7.787	7.199	4 3/4	4 3/4		1	1 3/16		1 15/16	3 1/8	
19	8.185	7.595	4 3/4	4 3/4		1	1 3/16		1 15/16	3 1/8	
20	8.579	7.991	4 3/4	4 3/4		1	1 3/16		1 15/16	3 1/8	
21	8.976	8.387	5 1/2	5 1/2		1 3/16	1 3/16		2 3/16	3 1/8	
22	9.374	8.784	5 1/2	5 1/2		1 3/16	1 3/16		2 3/16	3 1/8	
23	9.772	9.180	5 1/2	5 1/2		1 3/16	1 3/16		2 3/16	3 1/8	
24	10.169	9.576	5 1/2	5 1/2		1 3/16	1 3/16		2 3/16	3 1/8	
25	10.567	9.974	5 1/2	5 1/2		1 3/16	1 3/16		2 3/16	3 1/8	
26	10.961	10.370	5 7/8	5 7/8		1 3/16	1 3/16		2 3/16	3 1/8	
27	11.358	10.767	5 7/8	5 7/8		1 3/16	1 3/16		2 3/16	3 1/8	
28	11.752	11.164	5 7/8	5 7/8		1 3/16	1 3/16		2 3/16	3 1/8	
29	12.150	11.561	5 7/8	5 7/8		1 3/16	1 3/16		2 3/16	3 1/8	
30	12.547	11.959	5 7/8	5 7/8		1 3/16	1 3/16		2 3/16	3 1/8	
31	12.945	12.356	5 7/8	5 7/8		1 3/16	1 3/16		2 3/16	3 1/8	
32	13.343	12.752	5 7/8	5 7/8		1 3/16	1 3/16		2 3/16	3 1/8	
33	13.740	13.150	5 7/8	5 7/8		1 3/16			2 3/16		
34	14.138	13.547	5 7/8	5 7/8		1 3/16	1 3/16		2 3/16	3 1/8	
35	14.535	13.945	5 7/8	5 7/8		1 3/16	1 3/16		2 3/16	3 1/8	
36	14.929	14.343	5 7/8	5 7/8		1 3/16	1 3/16		2 3/16	3 1/8	
37	15.327	14.740	5 7/8	5 7/8		1 3/16			2 3/16		
38	15.724	15.137	5 7/8	5 7/8		1 3/16	1 3/16		2 3/16	3 1/8	
39	16.122	15.535	5 7/8	5 7/8		1 3/16			2 3/16		
40	16.520	15.931	5 7/8	5 7/8		1 3/16	1 3/16		2 3/16	3 1/8	



D100B

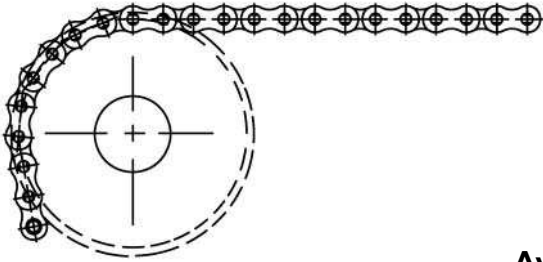


T100B



STAINLESS STEEL SPROCKETS QUOTED AND STOCKED UPON REQUEST.

American Standard (ANSI) MPB Steel Sprockets ANSI B29.1



NO. 120 TYPE A

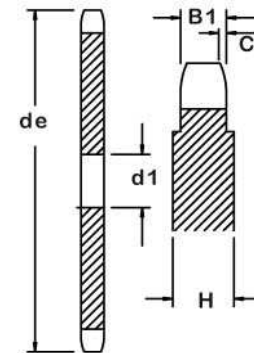
CHAIN WIDTH:	1-1/2" x 1"
PITCH:	1-1/2"
ROLLER WIDTH:	1"
ROLLER DIA.:	0.875"
SPKT. WIDTH:	
SINGLE B1	0.925"
MULTI b1	0.902"
DOUBLE B2	2.689"

Available in Standard ANSI
or Metric (ISO) Bores, Keyways
and (2) Setscrews

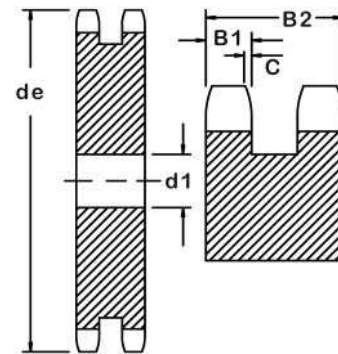
All Dimensions in Inches

Teeth T	Outside Dia. de	Min. Bore d1 ±1/16"			Teeth T	Outside Dia. de	Min. Bore d1 ±1/16"		
		120	D120	T120			120	D120	T120
8	4.449	13/16			51	25.472			
9	4.921	13/16			52	25.945			
10	5.394	13/16			53	26.417			
					54	26.909			
11	5.866	1			55		1 3/16		
12	6.339	1				27.382			
13	6.811	1			56	27.854			
14	7.283	1			57	28.327	1 3/16		
15	7.756	1			58	28.799			
					59	29.331			
16	8.228	1	1 3/16		60				
17	8.701	1	1 3/16			30.276			
18	9.173	1	1 3/16		62	31.240			
19	9.665	1	1 3/16		64	31.713			
20	10.138	1			65	32.185			
					66	33.150			
21	10.650	1 3/16	1 3/16		68	34.094			
22	11.122	1 3/16			70				
23	11.594	1 3/16				35.059			
24	12.087	1 3/16			72	36.476			
25	12.559	1 3/16	1 3/16		75	36.969			
					76				
26	13.031	1 3/16				38.878			
27	13.504				80	41.260			
28	13.976	1 3/16			85	46.024			
29	14.469				95				
30	14.941	1 3/16							
31	15.413								
32	15.886	1 3/16							
33	16.358								
34	16.870								
35	17.323	1 3/16							
36	17.795	1 3/16							
37	18.268								
38	18.760	1 3/16							
39	19.232								
40	19.744	1 3/16							
41	20.217								
42	20.689	1 3/16							
43	21.181								
44	21.654								
45	22.126	1 3/16							
46	22.598								
47	23.091								
48	23.563								
49	24.035	1 3/16							
50	24.508								
	25.000								

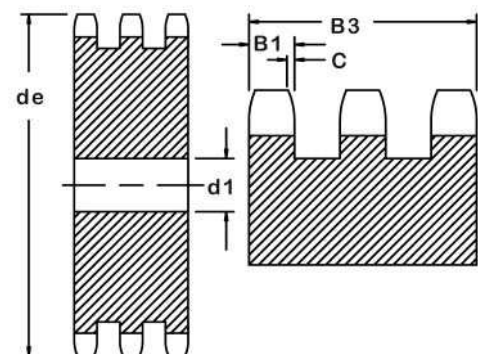
120A



D120A

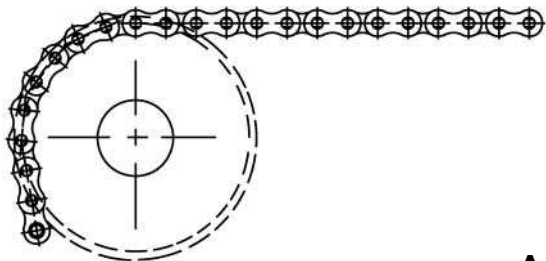


T120A



STAINLESS STEEL SPROCKETS QUOTED AND STOCKED UPON REQUEST.

American Standard (ANSI) MPB Steel Sprockets ANSI B29.1



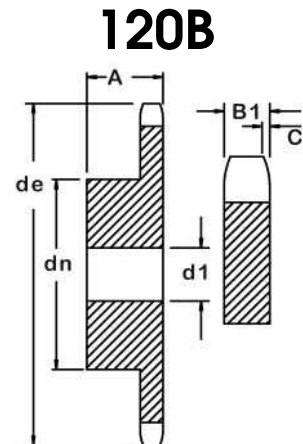
NO. 120 TYPE B

CHAIN WIDTH:	1-1/2" x 1"
PITCH:	1-1/2"
ROLLER WIDTH:	1"
ROLLER DIA.:	0.875"
SPKT. WIDTH:	
SINGLE B1	0.925"
MULTI b1	0.902"
DOUBLE B2	2.689"

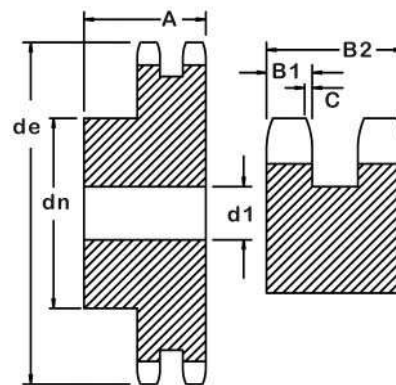
Available in Standard ANSI
or Metric (ISO) Bores, Keyways
and (2) Setscrews

All Dimensions in Inches

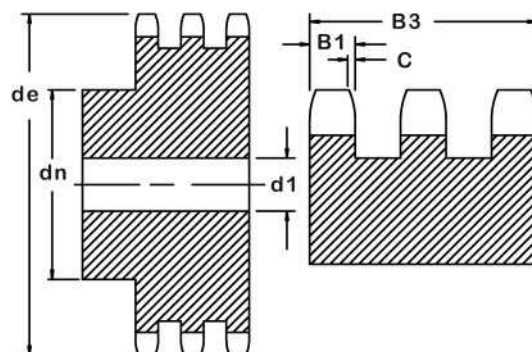
Teeth T	Out- side Dia.	Pitch Dia. dp	Hub Diameter dn ±1/16"			Min. Bore d1 ±1/16"			Total Width A ±1/16"		
			120	D120	T120	120	D120	T120	120	D120	T120
8	4.449	3.919	2 5/16			13/16			1 3/4		
9	4.921	4.386	2 3/4			13/16			1 3/4		
10	5.394	4.854	3 1/8	3 1/8		13/16	1		1 3/4	3 3/4	
11	5.866	5.323	3 9/16			1			1 15/16		
12	6.339	5.796	4	4		1	1		1 15/16	3 15/16	
13	6.811	6.267	4 1/2			1			1 15/16		
14	7.283	6.741	5 1/16	5 1/16		1	1		1 15/16	3 15/16	
15	7.756	7.215	5 3/16	5 3/16		1	1		1 15/16	3 15/16	
16	8.228	7.689	5 3/8	5 3/8		1	1 3/16		2 3/16	3 15/16	
17	8.701	8.163	5 1/2	5 3/8		1	1 3/16		2 3/16	3 15/16	
18	9.173	8.639	5 1/2	6 5/16		1	1 3/16		2 3/16	3 15/16	
19	9.665	9.114	5 1/2	6 5/16		1	1 3/16		2 3/16	3 15/16	
20	10.138	9.589	5 1/2			1			2 3/16		
21	10.650	10.065	5 7/8	6 5/16		1 3/16	1 3/16		2 3/8	3 15/16	
22	11.122	10.541	5 7/8			1 3/16			2 3/8		
23	11.594	11.016	5 7/8			1 3/16			2 3/8		
24	12.087	11.491	5 7/8			1 3/16			2 3/8		
25	12.559	11.969	5 7/8	6 5/16		1 3/16	1 3/16		2 3/8	3 15/16	
26	13.031	12.444	5 7/8			1 3/16			2 3/8		
27	13.504	12.921									
28	13.976	13.396	5 7/8			1 3/16			2 3/8		
29	14.469	13.873									
30	14.941	14.350	5 7/8			1 3/16			2 3/8		
31	15.413	14.828									
32	15.886	15.303	5 7/8			1 3/16			2 3/8		
33	16.358	15.780									
34	16.870	16.257									
35	17.323	16.734	5 7/8			1 3/16			2 3/8		
36	17.795	17.211	5 7/8			1 3/16			2 3/8		
37	18.268	17.688									
38	18.760	18.165	5 7/8			1 3/16			2 3/8		
39	19.232	18.642									
40	19.744	19.119	5 7/8			1 3/16			2 3/8		



D120B

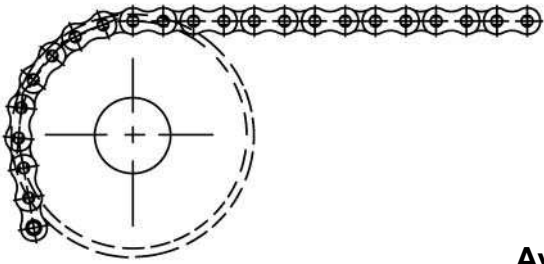


T120B



STAINLESS STEEL SPROCKETS QUOTED AND STOCKED UPON REQUEST.

American Standard (ANSI) MPB Steel Sprockets ANSI B29.1



NO. 140 TYPE A

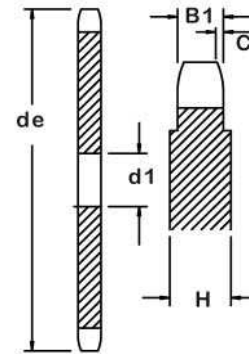
CHAIN WIDTH:	1-3/4" x 1"
PITCH:	1-3/4"
ROLLER WIDTH:	1"
ROLLER DIA.:	1"
SPKT. WIDTH:	
SINGLE B1	0.925"
MULTI b1	0.902"
DOUBLE B2	2.827"

Available in Standard ANSI
or Metric (ISO) Bores, Keyways
and (2) Setscrews

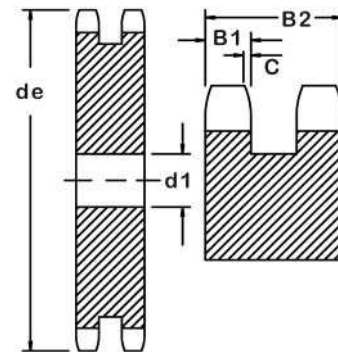
All Dimensions in Inches

Teeth T	Outside Dia. de	Min. Bore d1 ±1/16"			Teeth T	Outside Dia. de	Min. Bore d1 ±1/16"		
		140	D140	T140			140	D140	T140
8	5.197	13/16							
9	5.748	13/16							
10	6.299	13/16							
11	6.850	1							
12	7.402	1							
13	8.031	1							
14	8.583	1							
15	9.134	1						1 3/16	
16	9.685	1 3/16							
17	10.236	1 3/16						1 3/16	
18	10.787	1 3/16							
19	11.378	1 3/16						1 3/16	
20	11.929	1 3/16							
21	12.480	1 3/16						1 3/16	
22	13.031	1 3/16							
23	13.583	1 3/16							
24	14.134	1 3/16							
25	14.685	1 3/16							
26	15.236	1 3/16							
27	15.787	1 3/16							
28	16.378	1 3/16							
29	16.929	1 3/16							
30	17.480	1 3/16							
31	18.031	1 3/16							
32	18.583	1 3/16							
33	19.134	1 3/16							
34	19.685	1 3/16							
35	20.236	1 3/16							
36	20.827	1 3/16							
37	21.378	1 3/16							
38	21.929	1 3/16							
39	22.480	1 3/16							
40	23.031	1 3/16							
45	25.827	1 3/16							
50	28.583	1 3/16							
57	32.480	1 3/16							
60	34.213	1 3/16							
76	43.110	1 3/16							

140A

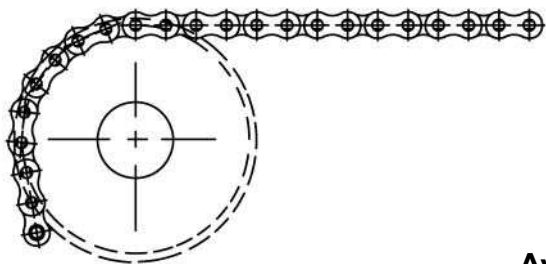


D140A



STAINLESS STEEL SPROCKETS QUOTED AND STOCKED UPON REQUEST.

American Standard (ANSI) MPB Steel Sprockets ANSI B29.1



NO. 140 TYPE B

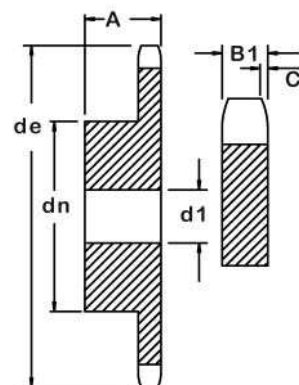
CHAIN WIDTH:	1-3/4" x 1"
PITCH:	1-3/4"
ROLLER WIDTH:	1"
ROLLER DIA.:	1"
SPKT. WIDTH:	
SINGLE B1	0.925"
MULTI b1	0.902"
DOUBLE B2	2.827"

Available in Standard ANSI
or Metric (ISO) Bores, Keyways
and (2) Setscrews

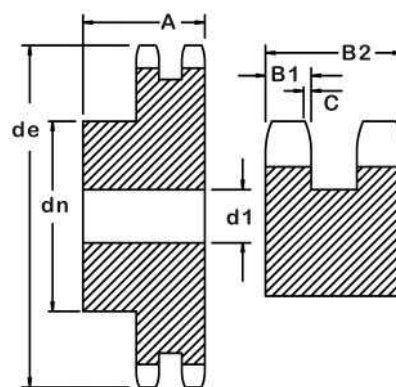
All Dimensions in Inches

Teeth T	Out- side Dia.	Pitch Dia. dp	Hub Diameter dn ±1/16"			Min. Bore d1 ±1/16"			Total Width A ±1/16"		
			140	D140	T140	140	D140	T140	140	D140	T140
8	5.197	4.573	2 15/16			1			2 3/4		
9	5.748	5.117	3 7/16			1			2 3/4		
10	6.299	5.663	3 15/16			1			2 3/4		
11	6.850	6.211	4 7/16			1			2 3/4		
12	7.402	6.761	4 15/16			1			2 3/4		
13	8.031	7.313	4 15/16			1			2 3/4		
14	8.583	7.865	4 15/16			1			2 3/4		
15	9.134	8.417	4 15/16	5 11/16		1	1 3/16		2 3/4	4 3/4	
16	9.685	8.970	6 5/16			1 3/16			2 15/16		
17	10.236	9.524	6 5/16	6 5/16		1 3/16	1 3/16		2 15/16	4 3/4	
18	10.787	10.078	6 5/16			1 3/16			2 15/16		
19	11.378	10.632	6 5/16	7 1/16		1 3/16	1 3/16		2 15/16	4 3/4	
20	11.929	11.187	6 5/16			1 3/16			2 15/16		
21	12.480	11.742	6 5/16	7 1/16		1 3/16	1 3/16		2 15/16	4 3/4	
22	13.031	12.297	6 5/16			1 3/16			2 15/16		
23	13.583	12.852	6 5/16			1 3/16			2 15/16		
24	14.134	13.407	6 5/16			1 3/16			2 15/16		
25	14.685	13.963	6 5/16			1 3/16			2 15/16		
26	15.236	14.519	6 5/16			1 3/16			2 15/16		
27	15.787	15.074									
28	16.378	15.630									
29	16.929	16.186									
30	17.480	16.742	6 5/16			1 3/16			2 15/16		
31	18.031	17.298									
32	18.583	17.854									
33	19.134	18.410									
34	19.685	18.967									
35	20.236	19.523	7 1/16			1 3/16			2 15/16		
36	20.827	20.079									
37	21.378	20.635									
38	21.929	21.192	7 1/16			1 3/16			2 15/16		
39	22.480	21.748									
40	23.031	22.305									

140B

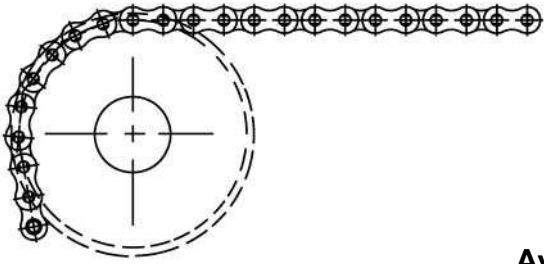


D140B



STAINLESS STEEL SPROCKETS QUOTED AND STOCKED UPON REQUEST.

American Standard (ANSI) MPB Steel Sprockets ANSI B29.1



NO. 160 TYPE A

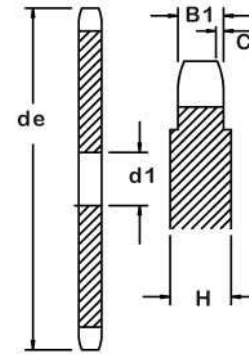
CHAIN WIDTH:	2" x 1-1/4"
PITCH:	2"
ROLLER WIDTH:	1-1/4"
ROLLER DIA.:	1.125"
SPKT. WIDTH:	1.154"
SINGLE B1	1.154"

Available in Standard ANSI
or Metric (ISO) Bores, Keyways
and (2) Setscrews

All Dimensions in Inches

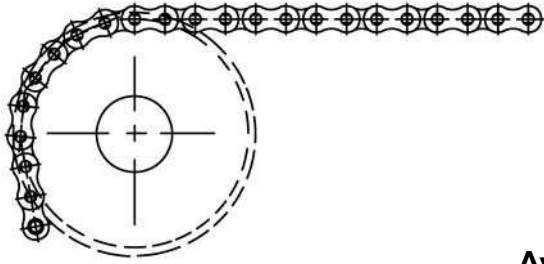
Teeth T	Outside Dia. de	Min. Bore d1 ±1/16"			Teeth T	Outside Dia. de	Min. Bore d1 ±1/16"		
		160	D160	T160			160	D160	T160
8	5.984	1							
9	6.614	1							
10	7.244	1							
11	7.874	1 3/16							
12	8.504	1 3/16							
13	9.252	1 3/16							
14	9.882	1 3/16							
15	10.512	1 3/16							
16	11.142	1 3/16							
17	11.772	1 3/16							
18	12.402	1 3/16							
19	13.031	1 3/16							
20	13.661	1 9/16							
21	14.291	1 9/16							
22	14.921	1 9/16							
23	15.591	1 9/16							
24	16.220	1 9/16							
25	16.850	1 9/16							
26	17.480	1 9/16							
27	18.110	1 9/16							
28	18.740	1 9/16							
29	19.370	1 9/16							
30	20.000	1 9/16							
32	21.299	1 9/16							
35	23.189	1 9/16							
38	25.118	1 9/16							
40	26.378	1 9/16							
45	29.567	1 9/16							
50	32.756	1 9/16							
57	37.205	1 9/16							
60	39.094	1 9/16							
76	49.291	1 9/16							

160A



STAINLESS STEEL SPROCKETS QUOTED AND STOCKED UPON REQUEST.

American Standard (ANSI) MPB Steel Sprockets ANSI B29.1



NO. 160 TYPE B

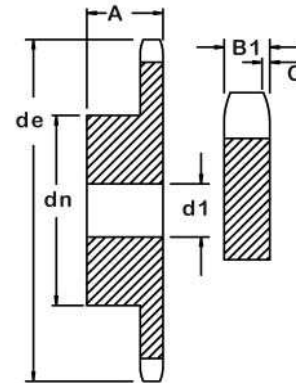
CHAIN WIDTH: 2" x 1-1/4"
 PITCH: 2"
 ROLLER WIDTH: 1-1/4"
 ROLLER DIA.: 1.125"
 SPKT. WIDTH: 1.154"
 SINGLE B1 1.154"

Available in Standard ANSI
 or Metric (ISO) Bores, Keyways
 and (2) Setscrews

All Dimensions in Inches

Teeth T	Outside Dia. de	Pitch Dia. dp	Min. Bore d1 ±1/16"		Hub Dia. dn ±1/16"	Total Width A ±1/16"
			160A	160B		
8	5.984	5.226	1	1 3/16	3 3/8	3 1/8
9	6.614	5.848	1	1 3/16	3 15/16	3 1/8
10	7.244	6.472	1	1 3/16	4 1/2	3 1/8
11	7.874	7.099	1 3/16	1 3/16	4 15/16	3 1/8
12	8.504	7.728	1 3/16	1 3/16	5 1/4	3 1/8
13	9.252	8.358	1 3/16	1 3/16	5 11/16	3 1/8
14	9.882	8.988	1 3/16	1 3/16	5 11/16	3 1/8
15	10.512	9.618	1 3/16	1 3/16	5 11/16	3 1/8
16	11.142	10.252	1 3/16	1 3/16	6 5/16	3 9/16
17	11.772	10.884	1 3/16	1 3/16	6 5/16	3 9/16
18	12.402	11.518	1 3/16	1 3/16	6 5/16	3 9/16
19	13.031	12.152	1 3/16	1 3/16	6 5/16	3 9/16
20	13.661	12.784	1 9/16	1 9/16	7 1/16	3 9/16
21	14.291	13.418	1 9/16	1 9/16	7 1/16	3 9/16
22	14.921	14.054	1 9/16	1 9/16	7 1/16	3 9/16
23	15.591	14.688	1 9/16	1 9/16	7 1/16	3 9/16
24	16.220	15.322	1 9/16	1 9/16	7 1/16	3 9/16
25	16.850	15.958	1 9/16	1 9/16	7 1/16	3 9/16
26	17.480	16.592	1 9/16	1 9/16	7 1/16	3 9/16
27	18.110	17.228	1 9/16	1 9/16	7 1/16	3 9/16
28	18.740	17.862	1 9/16	1 9/16	7 1/16	3 9/16
29	19.370	18.498	1 9/16	1 9/16	7 1/16	3 9/16
30	20.000	19.134	1 9/16	1 9/16	7 1/16	3 9/16
31	20.669	19.769				
32	21.299	20.404	1 9/16	1 9/16	7 7/8	3 9/16
33	21.929	21.040				
34	22.559	21.676				
35	23.189	22.311	1 9/16	1 9/16	7 7/8	3 9/16
36	23.819	22.947				
37	24.488	23.583				
38	25.118	24.219	1 9/16	1 9/16	7 7/8	3 9/16
39	25.748	24.855				
40	26.378	25.491	1 9/16	1 9/16	7 7/8	3 9/16
45	29.567		1 9/16			
50	32.756		1 9/16			
57	37.205		1 9/16			
60	39.094		1 9/16			
76	49.291		1 9/16			

160B



STAINLESS STEEL SPROCKETS QUOTED AND STOCKED UPON REQUEST.