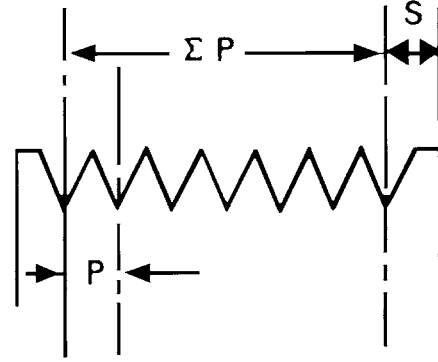
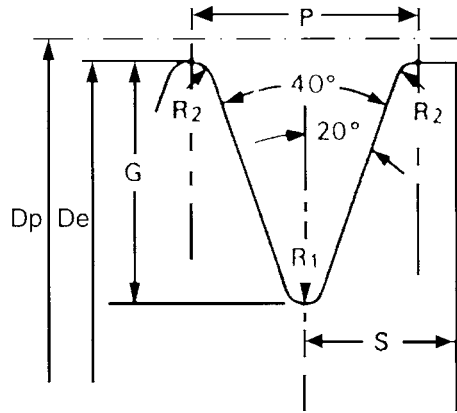


Metric Poly-V Sheaves

Material: Cast Iron GG25 (ASTM A159)



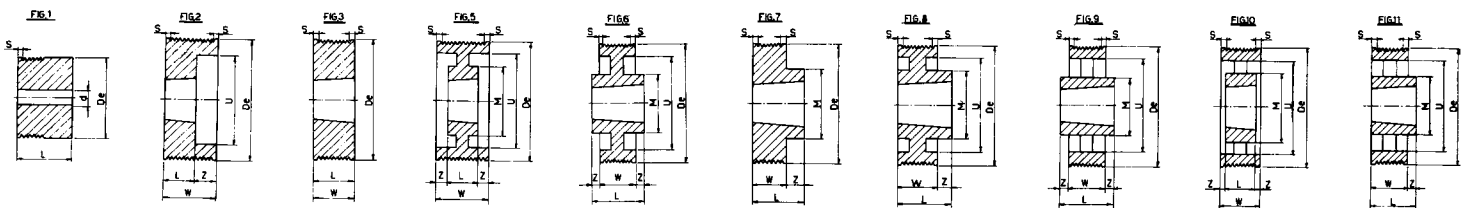
	P mm	G mm	R ₂ mm	R ₁ mm	S _{min.} mm	Σ P tolerance mm
J	2.34 ± 0.025	2.21 ± 0.13	0.20	0.32 ± 0.06	2.0	± 0.25
L	4.70 ± 0.050	5.11 ± 0.13	0.38	0.32 ± 0.06	4.0	± 0.25
M	9.40 ± 0.050	10.21 ± 0.24	0.76	0.64 ± 0.13	6.0	± 0.25

Section J

Grooves	Face Width W ± 0.5	Shoulder S
4	13.5	3.24
8	23	3.31
12	32.5	3.38
16	42	3.45
20	52	3.77

Section L

Grooves	Face Width W ± 0.5	Shoulder S
6	38.5	7.50
8	48	7.55
10	57	7.35
12	67	7.65
16	86	7.75
20	105	7.85



Ordering Example:

PV L 150 x 10. 2517
 PV ----- Poly-V
 L ----- Profile/ Section
 150 ----- Pitch Diameter
 10 ----- Grooves
 2517 ----- Bushing Size

Poly-V Pulleys prepared for bushing types 2517 and 3535 use "European" metric taper-bushings with 1/2" x 12tpi BSW threads.

Also available, by special order, in aluminum and plastic.

Metric Poly-V Sheaves

Material: Cast Iron GG25 (ASTM A159)

Section J

Part No.	De	Grooves	Bushing	Figure	L	Z	M	U	d
PVJ20X4.MPB	20	4		1	22.5				5
PVJ20X8.MPB		8		1	32				5
PVJ20X12.MPB		12		1	41.5				5
PVJ20X16.MPB		16		1	51				5
PVJ20X20.MPB		20		1	61				5
PVJ25X4.MPB	25	4		1	22.5				5
PVJ25X8.MPB		8		1	32				5
PVJ25X12.MPB		12		1	41.5				5
PVJ25X16.MPB		16		1	51				5
PVJ25X20.MPB		20		1	61				5
PVJ30X4.MPB	30	4		1	22.5				9.5
PVJ30X8.MPB		8		1	32				9.5
PVJ30X12.MPB		12		1	41.5				9.5
PVJ30X16.MPB		16		1	51				9.5
PVJ30X20.MPB		20		1	61				9.5
PVJ35X4.MPB	35	4		1	22.5				9.5
PVJ35X8.MPB		8		1	32				9.5
PVJ35X12.MPB		12		1	41.5				9.5
PVJ35X16.MPB		16		1	51				9.5
PVJ35X20.MPB		20		1	61				9.5
PVJ40X4.MPB	40	4		1	22.5				12
PVJ40X8.MPB		8		1	32				12
PVJ40X12.MPB		12		1	41.5				12
PVJ40X16.MPB		16		1	51				12
PVJ40X20.MPB		20		1	61				12
PVJ45X4.MPB	45	4		1	22.5				12
PVJ45X8.MPB		8		1	32				12
PVJ45X12.MPB		12		1	41.5				12
PVJ45X16.MPB		16		1	51				12
PVJ45X20.MPB		20		1	61				12
PVJ50X4.MPB	50	4		1	22.5				12
PVJ50X8.MPB		8		1	32				12
PVJ50X12.MPB		12		1	41.5				12
PVJ50X16.MPB		16		1	51				12
PVJ50X20.MPB		20		1	61				12
PVJ56X4.1108	56	4	1108	7	23	9.5	50		
PVJ56X8.1108		8	1108	3	23				
PVJ56X12.MPB		12		1	41.5				12
PVJ56X16.MPB		16		1	51				12
PVJ56X20.MPB		20		1	61				12
PVJ60X4.1108	60	4	1108	7	23	9.5	50		
PVJ60X8.1108		8	1108	3	23				
PVJ60X12.1108		12	1108	2	23	9.5		45	
PVJ60X16.MPB		16		1	51				12
PVJ60X20.MPB		20		1	61				12
PVJ63X4.1108	63	4	1108	7	23	9.5	50		
PVJ63X8.1108		8	1108	3	23				
PVJ63X12.1108		12	1108	2	23	9.5		45	
PVJ63X16.MPB		16		1	51				12
PVJ63X20.MPB		20		1	61				12
PVJ67X4.1108	67	4	1108	7	23	9.5	50		
PVJ67X8.1108		8	1108	3	23				
PVJ67X12.1108		12	1108	2	23	9.5		51	
PVJ67X16.MPB		16		1	51				12
PVJ67X20.MPB		20		1	61				12
PVJ71X4.1108	71	4	1108	7	23	9.5	60		
PVJ71X8.1108		8	1108	3	23				

Metric Poly-V Sheaves

Material: Cast Iron GG25 (ASTM A159)

Section J

Part No.	De	Grooves	Bushing	Figure	L	Z	M	U
PVJ71X12.1108		12	1108	2	23	9.5		55
PVJ71X16.1215		16	1215	3	42			55
PVJ71X20.1215		20	1215	2	42	10		55
PVJ75X4.1108	75	4	1108	7	23	9.5	60	
PVJ75X8.1108		8	1108	3	23			
PVJ75X12.1610		12	1610	2	26	9.5		59
PVJ75X16.1610		16	1610	2	26	16		59
PVJ75X20.1615		20	1615	2	42	10		59
PVJ80X4.1310	80	4	1310	7	26	12.5	70	
PVJ80X8.1310		8	1310	7	26	3	70	
PVJ80X12.1610		12	1610	2	26	6.5		64
PVJ80X16.1610		16	1610	2	26	16		64
PVJ80X20.1615		20	1615	2	42	10		64
PVJ85X4.1310	85	4	1310	7	26	12.5	70	
PVJ85X8.1310		8	1310	7	26	3	70	
PVJ85X12.1610		12	1610	2	26	6.5		69
PVJ85X16.1610		16	1610	2	26	16		69
PVJ85X20.1615		20	1615	2	42	10		69
PVJ90X4.1610	90	4	1610	7	26	12.5	82	
PVJ90X8.1610		8	1610	7	26	3	82	
PVJ90X12.1610		12	1610	2	26	6.5		74
PVJ90X16.1610		16	1610	2	26	16		74
PVJ90X20.1615		20	1615	2	42	10		74
PVJ95X4.1610	95	4	1610	7	26	12.5	82	
PVJ95X8.1610		8	1610	7	26	3	82	
PVJ95X12.1610		12	1610	2	26	6.5		79
PVJ95X16.1610		16	1610	2	26	16		79
PVJ95X20.1615		20	1615	2	42	10		79
PVJ100X4.1610	100	4	1610	7	26	12.5	82	
PVJ100X8.1610		8	1610	7	26	3	82	
PVJ100X12.1610		12	1610	2	26	6.5		82
PVJ100X16.1610		16	1610	2	26	16		82
PVJ100X20.1615		20	1615	2	42	10		82
PVJ106X4.1610	106	4	1610	7	26	12.5	88	
PVJ106X8.1610		8	1610	7	26	3	88	
PVJ106X12.1610		12	1610	2	26	6.5		88
PVJ106X16.1610		16	1610	2	26	16		88
PVJ106X20.1615		20	1615	2	42	10		88
PVJ112X4.1610	112	4	1610	7	26	12.5	90	
PVJ112X8.1610		8	1610	7	26	3	90	
PVJ112X12.1610		12	1610	2	26	6.5		94
PVJ112X16.1610		16	1610	2	26	16		94
PVJ112X20.1615		20	1615	2	42	10		94
PVJ118X4.1610	118	4	1610	7	26	12.5	90	
PVJ118X8.1610		8	1610	7	26	3	90	
PVJ118X12.2012		12	2012	2	32	0.5		98
PVJ118X16.2012		16	2012	2	32	10		98
PVJ118X20.2012		20	2012	2	32	20		98
PVJ125X4.1610	125	4	1610	8	26	12.5	90	109
PVJ125X8.1610		8	1610	8	26	3	90	109
PVJ125X12.2012		12	2012	2	32	0.5		105
PVJ125X16.2012		16	2012	2	32	10		105
PVJ125X20.2517		20	2517	2	45	7		105
PVJ132X4.1610	132	4	1610	8	26	12.5	90	116
PVJ132X8.1610		8	1610	8	26	3	90	116
PVJ132X12.2012		12	2012	2	32	0.5		112
PVJ132X16.2012		16	2012	2	32	10		112

Metric Poly-V Sheaves

Material: Cast Iron GG25 (ASTM A159)

Section J

Part No.	De	Grooves	Bushing	Figure	L	Z	M	U
PVJ132X20.2517		20	2517	2	45	7		112
PVJ140X4.1610	140	4	1610	8	26	12.5	90	124
PVJ140X8.1610		8	1610	8	26	3	90	124
PVJ140X12.2517		12	2517	7	45	12.5	120	
PVJ140X16.2517		16	2517	7	45	3	120	
PVJ140X20.2517		20	2517	2	45	7		124
PVJ160X4.2012	160	4	2012	8	32	18.5	110	144
PVJ160X8.2012		8	2012	8	32	9	110	144
PVJ160X12.2517		12	2517	8	45	12.5	120	140
PVJ160X16.2517		16	2517	8	45	3	120	140
PVJ160X20.2517		20	2517	2	45	7		140
PVJ180X4.2012	180	4	2012	6	32	9.25	110	164
PVJ180X8.2012		8	2012	6	32	4.5	110	164
PVJ180X12.2517		12	2517	6	45	6.25	120	160
PVJ180X16.2517		16	2517	6	45	1.5	120	160
PVJ180X20.2517		20	2517	5	45	3.5	120	160
PVJ200X4.2012	200	4	2012	6	32	9.25	110	184
PVJ200X8.2012		8	2012	6	32	4.5	110	184
PVJ200X12.2517		12	2517	6	45	6.25	120	180
PVJ200X16.2517		16	2517	6	45	1.5	120	180
PVJ200X20.2517		20	2517	5	45	3.5	120	180
PVJ224X4.2012	224	4	2012	6	32	9.25	110	208
PVJ224X8.2012		8	2012	6	32	4.5	110	208
PVJ224X12.2517		12	2517	6	45	6.25	120	204
PVJ224X16.2517		16	2517	6	45	1.5	120	204
PVJ224X20.2517		20	2517	5	45	3.5	120	204
PVJ250X4.2012	250	4	2012	9	32	9.25	110	234
PVJ250X8.2012		8	2012	9	32	4.5	110	234
PVJ250X12.2517		12	2517	6	45	6.25	120	230
PVJ250X16.2517		16	2517	6	45	1.5	120	230
PVJ250X20.2517		20	2517	5	45	3.5	120	230
PVJ280X4.2012	280	4	2012	9	32	9.25	110	264
PVJ280X8.2012		8	2012	9	32	4.5	110	264
PVJ280X12.2517		12	2517	9	45	6.25	120	260
PVJ280X16.2517		16	2517	9	45	1.5	120	260
PVJ280X20.2517		20	2517	10	45	3.5	120	260
PVJ315X4.2012	315	4	2012	9	32	9.25	110	299
PVJ315X8.2012		8	2012	9	32	4.5	110	299
PVJ315X12.2517		12	2517	9	45	6.25	120	295
PVJ315X16.2517		16	2517	9	45	1.5	120	295
PVJ315X20.2517		20	2517	10	45	3.5	120	295
PVJ355X4.2517	355	4	2517	9	45	15.7	120	339
PVJ355X8.2517		8	2517	9	45	11	120	339
PVJ355X12.2517		12	2517	9	45	6.25	120	335
PVJ355X16.3020		16	3020	9	52	5	146	335
PVJ355X20.3020		20	3020	11	52		146	335
PVJ400X4.2517	400	4	2517	9	45	15.7	120	380
PVJ400X8.2517		8	2517	9	45	11	120	380
PVJ400X12.2517		12	2517	9	45	6.25	120	380
PVJ400X16.3020		16	3020	9	52	5	146	380
PVJ400X20.3020		20	3020	11	52		146	380

Metric Poly-V Sheaves

Material: Cast Iron GG25 (ASTM A159)

Section L

Part No.	De	Grooves	Bushing	Figure	L	Z	M
PVL75X6.1210	75	6	1210	2	26	12.5	56
PVL75X8.1210		8	1210	2	26	22	56
PVL75X10.1215		10	1215	2	42	15	56
PVL75X12.1215		12	1215	2	42	25	56
PVL80X6.1210	80	6	1210	2	26	12.5	56
PVL80X8.1210		8	1210	2	26	22	56
PVL80X10.1215		10	1215	2	42	15	56
PVL80X12.1215		12	1215	2	42	25	56
PVL85X6.1210	85	6	1210	2	26	12.5	61
PVL85X8.1210		8	1210	2	26	22	61
PVL85X10.1215		10	1215	2	42	15	61
PVL85X12.1215		12	1215	2	42	25	61
PVL85X16.1215		16	1215	4	42	22	61
PVL90X6.1610	90	6	1610	2	26	12.5	66
PVL90X8.1610		8	1610	2	26	22	66
PVL90X10.1615		10	1615	2	42	15	66
PVL90X12.1615		12	1615	2	42	25	66
PVL90X16.1615		16	1615	4	42	22	66
PVL95X6.1610	95	6	1610	2	26	12.5	71
PVL95X8.1610		8	1610	2	26	22	71
PVL95X10.1615		10	1615	2	42	15	71
PVL95X12.1615		12	1615	2	42	25	71
PVL95X16.1615		16	1615	4	42	22	71
PVL100X6.1610	100	6	1610	2	26	12.5	76
PVL100X8.1610		8	1610	2	26	22	76
PVL100X10.2012		10	2012	2	32	25	79
PVL100X12.2012		12	2012	2	32	35	79
PVL100X16.2012		16	2012	4	32	27	79
PVL106X6.1610	106	6	1610	2	26	12.5	82
PVL106X8.1610		8	1610	2	26	22	82
PVL106X10.2012		10	2012	2	32	25	82
PVL106X12.2012		12	2012	2	32	35	82
PVL106X16.2517		16	2517	4	45	20.5	82
PVL112X6.1610	112	6	1610	2	26	12.5	88
PVL112X8.1610		8	1610	2	26	22	88
PVL112X10.2012		10	2012	2	32	25	88
PVL112X12.2012		12	2012	2	32	35	88
PVL112X16.2012		16	2517	4	45	20.5	88
PVL118X6.2012	118	6	2012	2	32	6.5	94
PVL118X8.2012		8	2012	2	32	16	94
PVL118X10.2517		10	2517	4	45	6	97
PVL118X12.2517		12	2517	4	45	11	97
PVL118X16.2517		16	2517	4	45	20.5	97
PVL118X20.2517		20	2517	4	45	30	97
PVL125X6.2012	125	6	2012	2	32	6.5	101
PVL125X8.2012		8	2012	2	32	16	101
PVL125X10.2517		10	2517	4	45	6	101
PVL125X12.2517		12	2517	4	45	11	101
PVL125X16.2517		16	2517	4	45	20.5	101
PVL125X20.2517		20	2517	4	45	30	101
PVL132X6.2012	132	6	2012	2	32	6.5	108
PVL132X8.2012		8	2012	2	32	16	108
PVL132X10.2517		10	2517	4	45	6	108
PVL132X12.2517		12	2517	4	45	11	108
PVL132X16.2517		16	2517	4	45	20.5	108
PVL132X20.2517		20	2517	4	45	30	108
PVL140X6.2517	140	6	2517	7	45	6.5	120
PVL140X8.2517		8	2517	2	45	3	

Metric Poly-V Sheaves

Material: Cast Iron GG25 (ASTM A159)

Section L

Part No.	De	Grooves	Bushing	Figure	L	Z	M	U
PVL140X10.2517		10	2517	4	45	6		116
PVL140X12.2517		12	2517	4	45	11		116
PVL140X16.2517		16	2517	4	45	20.5		116
PVL140X20.3020		20	3020	4	52	26.5		116
PVL150X6.2517	150	6	2517	7	45	6.5	120	120
PVL150X8.2517		8	2517	2	45	3		126
PVL150X10.2517		10	2517	4	45	6		126
PVL150X12.2517		12	2517	4	45	11		126
PVL150X16.2517		16	2517	4	45	20.5		126
PVL150X20.3020		20	3020	4	52	26.5		126
PVL160X6.2517	160	6	2517	7	45	6.5	120	
PVL160X8.2517		8	2517	2	45	3		136
PVL160X10.2517		10	2517	4	45	6		136
PVL160X12.2517		12	2517	4	45	11		136
PVL160X16.3020		16	3020	4	52	17		136
PVL160X20.3020		20	3020	4	52	26.5		136
PVL170X6.2517	170	6	2517	8	45	6.5	120	146
PVL170X8.2517		8	2517	2	45	3		146
PVL170X10.2517		10	2517	4	45	6		146
PVL170X12.2517		12	2517	4	45	11		146
PVL170X16.3020		16	3020	4	52	17		146
PVL170X20.3020		20	3020	4	52	26.5		146
PVL180X6.2517	180	6	2517	6	45	3.25	120	156
PVL180X8.2517		8	2517	5	45	1.5	120	156
PVL180X10.2517		10	2517	5	45	6	120	156
PVL180X12.2517		12	2517	5	45	11	120	156
PVL180X16.3020		16	3020	4	52	17		156
PVL180X20.3020		20	3020	4	52	26.5		156
PVL190X6.2517	190	6	2517	6	45	3.25	120	166
PVL190X8.2517		8	2517	5	45	1.5	120	166
PVL190X10.2517		10	2517	5	45	6	120	166
PVL190X12.2517		12	2517	5	45	11	120	166
PVL190X16.3020		16	3020	5	52	17	146	166
PVL190X20.3020		20	3020	5	52	26.5	146	166
PVL200X6.2517	200	6	2517	6	45	3.25	120	176
PVL200X8.2517		8	2517	5	45	1.5	120	176
PVL200X10.3020		10	3020	5	52	2.5	146	176
PVL200X12.3020		12	3020	5	52	7.5	146	176
PVL200X16.3020		16	3020	5	52	17	146	176
PVL200X20.3535		20	3535	4	89	8		176
PVL212X6.2517	212	6	2517	6	45	3.25	120	188
PVL212X8.2517		8	2517	5	45	1.5	120	188
PVL212X10.3020		10	3020	5	52	2.5	146	188
PVL212X12.3020		12	3020	5	52	7.5	146	188
PVL212X16.3020		16	3020	5	52	17	146	188
PVL212X20.3535		20	3535	4	89	8		188
PVL224X6.2517	224	6	2517	6	45	3.25	120	200
PVL224X8.2517		8	2517	5	45	1.5	120	200
PVL224X10.3020		10	3020	5	52	2.5	146	200
PVL224X12.3020		12	3020	5	52	7.5	146	200
PVL224X16.3020		16	3020	5	52	17	146	200
PVL224X20.3535		20	3535	5	89	8	178	200
PVL236X6.2517	236	6	2517	6	45	3.25	120	212
PVL236X8.2517		8	2517	5	45	1.5	120	212
PVL236X10.3020		10	3020	5	52	2.5	146	212
PVL236X12.3020		12	3020	5	52	7.5	146	212
PVL236X16.3020		16	3020	5	52	17	146	212
PVL236X20.3535		20	3535	5	89	8	178	212
PVL250X6.2517	250	6	2517	6	45	3.25	120	226



Metric Poly-V Sheaves

Material: Cast Iron GG25 (ASTM A159)

Section L

Part No.	De	Grooves	Bushing	Figure	L	Z	M	U
PVL250X8.2517		8	2517	5	45	1.5	120	226
PVL250X10.3020		10	3020	5	52	2.5	146	226
PVL250X12.3020		12	3020	5	52	7.5	146	226
PVL250X16.3020		16	3020	5	52	17	146	226
PVL250X20.3535		20	3535	5	89	8	178	226
PVL280X6.2517	280	6	2517	9	45	3.25	120	256
PVL280X8.3020		8	3020	6	52	2	146	256
PVL280X10.3020		10	3020	5	52	2.5	146	256
PVL280X12.3020		12	3020	5	52	7.5	146	256
PVL280X16.3535		16	3535	6	89	1.5	178	256
PVL280X20.3535		20	3535	5	89	8	178	256
PVL315X6.2517	315	6	2517	9	45	3.25	120	285
PVL315X8.3020		8	3020	9	52	2	146	285
PVL315X10.3535		10	3535	6	89	16	178	285
PVL315X12.3535		12	3535	6	89	11	178	285
PVL315X16.3535		16	3535	6	89	1.5	178	285
PVL315X20.4040		20	4040	5	102	1.5	215	285
PVL355X6.3020	355	6	3020	9	52	6.75	146	325
PVL355X8.3020		8	3020	9	52	2	146	325
PVL355X10.3535		10	3535	9	89	16	178	325
PVL355X12.3535		12	3535	9	89	11	178	325
PVL355X16.3535		16	3535	9	89	1.5	178	325
PVL355X20.4040		20	4040	5	102	1.5	215	325
PVL400X6.3020	400	6	3020	9	52	6.75	146	370
PVL400X8.3020		8	3020	9	52	2	146	370
PVL400X10.3535		10	3535	9	89	16	178	370
PVL400X12.3535		12	3535	9	89	11	178	370
PVL400X16.3535		16	3535	9	89	1.5	178	370
PVL400X20.4040		20	4040	10	102	1.5	215	370
PVL450X6.3020	450	6	3020	9	52	6.75	146	420
PVL450X8.3020		8	3020	9	52	2	146	420
PVL450X10.3535		10	3535	9	89	16	178	420
PVL450X12.3535		12	3535	9	89	11	178	420
PVL450X16.3535		16	3535	9	89	1.5	178	420
PVL450X20.4040		20	4040	9	102	1.5	215	420
PVL500X6.3020	500	6	3020	9	52	6.75	146	470
PVL500X8.3020		8	3020	9	52	2	146	470
PVL500X10.3535		10	3535	9	89	16	178	470
PVL500X12.3535		12	3535	9	89	11	178	470
PVL500X16.3535		16	3535	9	89	1.5	178	470
PVL500X20.5050		20	5050	9	127	11	267	470
PVL630X6.3020	630	6	3020	9	52	6.75	146	600
PVL630X8.3020		8	3020	9	52	2	146	600
PVL630X10.3535		10	3535	9	89	16	178	600
PVL630X12.3535		12	3535	9	89	11	178	600
PVL630X16.4040		16	4040	9	102	8	215	600
PVL630X20.5050		20	5050	9	127	11	267	600
PVL800X6.3535	800	6	3535	9	89	25.2	178	770
PVL800X8.3535		8	3535	9	89	20.5	178	770
PVL800X10.4040		10	4040	9	102	22.5	215	770
PVL800X12.4040		12	4040	9	102	17.5	215	770
PVL800X16.5050		16	5050	9	127	8	267	770
PVL800X20.5050		20	5050	9	127	11	267	770

Metric Poly-V Sheaves

Material: Aluminum Alloy (DIN 7867)

Section J

Part No.	De	Grooves	E	U	Figure	Bushing	W	L	M	C
APVJ25X8.MPB	25	8	23	-	1	-	23	31	20	-
APVJ25X12.MPB		12	23	-	1	-	32	40	20	-
APVJ25X16.MPB		16	-	-	-	-	-	-	-	-
APVJ25X20.MPB		20	-	-	-	-	-	-	-	-
APVJ30X8.MPB	30	8	28	-	1	-	23	31	25	-
APVJ30X12.MPB		12	28	-	1	-	32	40	25	-
APVJ30X16.MPB		16	-	-	-	-	-	-	-	-
APVJ30X20.MPB		20	-	-	-	-	-	-	-	-
APVJ35X8.MPB	35	8	33	-	1	-	23	31	30	-
APVJ35X12.MPB		12	33	-	1	-	32	40	30	-
APVJ35X16.MPB		16	-	-	-	-	-	-	-	-
APVJ35X20.MPB		20	-	-	-	-	-	-	-	-
APVJ40X8.MPB	40	8	38	-	1	-	23	31	35	-
APVJ40X12.MPB		12	38	-	1	-	32	40	35	-
APVJ40X16.MPB		16	-	-	-	-	-	-	-	-
APVJ40X20.MPB		20	-	-	-	-	-	-	-	-
APVJ45X8.MPB	45	8	43	-	1	-	23	31	40	-
APVJ45X12.MPB		12	43	-	1	-	32	40	40	-
APVJ45X16.MPB		16	43	-	1	-	42	50	40	-
APVJ45X20.MPB		20	-	-	-	-	-	-	-	-
APVJ50X8.1008	50	8	48	-	4	1008	23	23	-	-
APVJ50X12.1008		12	48	40	3	1008	32	23	-	-
APVJ50X16.MPB		16	48	-	1	-	42	50	40	-
APVJ50X20.MPB		20	-	-	-	-	-	-	-	-
APVJ56X8.1108	56	8	54	-	4	1108	23	23	-	-
APVJ56X12.1108		12	54	44	3	1108	32	23	-	-
APVJ56X16.MPB		16	54	-	1	-	42	50	40	-
APVJ56X20.MPB		20	54	-	1	-	51	59	40	-
APVJ63X8.1108	63	8	61	-	4	1108	23	23	-	-
APVJ63X12.1108		12	61	49	3	1108	32	23	-	-
APVJ63X16.MPB		16	61	-	1	-	42	50	45	-
APVJ63X20.MPB		20	61	-	1	-	51	59	45	-
APVJ67X8.1108	67	8	65	-	4	1108	23	23	-	-
APVJ67X12.1108		12	65	53	3	1108	32	32	-	-
APVJ67X16.MPB		16	65	-	1	-	42	50	45	-
APVJ67X20.MPB		20	65	-	1	-	51	59	45	-
APVJ71X8.1108	71	8	69	-	4	1108	23	23	-	-
APVJ71X12.1108		12	69	57	3	1108	32	23	-	-
APVJ71X16.1215		16	69	57	3	1215	42	38.5	-	-
APVJ71X20.1215		20	69	57	3	1215	51	38.5	-	-
APVJ75X8.1108	75	8	73	-	4	1108	23	23	-	-
APVJ75X12.1210		12	73	61	3	1210	32	26	-	-
APVJ75X16.1215		16	73	61	3	1215	42	38.5	-	-
APVJ75X20.1215		20	73	61	3	1215	51	38.5	-	-
APVJ80X8.1108	80	8	78	66	7	1108	23	23	-	-
APVJ80X12.1210		12	78	66	3	1210	32	26	-	-
APVJ80X16.1215		16	78	66	3	1215	42	38.5	-	-
APVJ80X20.1215		20	78	66	3	1215	51	38.5	-	-

Metric Poly-V Sheaves

Material: Aluminum Alloy (DIN 7867)

Section J

Part No.	De	Grooves	E	U	Figure	Bushing	W	L	M	C
APVJ85X8.1210	85	8	83	71	2	1210	23	26	65	-
APVJ85X12.1210		12	83	71	3	1210	32	26	-	-
APVJ85X16.1615		16	83	71	3	1615	42	38.5	-	-
APVJ85X20.1615		20	83	71	3	1615	51	38.5	-	-
APVJ90X8.1210	90	8	88	76	2	1210	23	26	65	-
APVJ90X12.1210		12	88	76	3	1210	32	26	-	-
APVJ90X16.1615		16	88	76	3	1615	42	38.5	-	-
APVJ90X20.1615		20	88	76	3	1615	51	38.5	-	-
APVJ95X8.1210	95	8	93	81	2	1210	23	26	65	-
APVJ95X12.1210		12	93	81	3	1210	32	26	-	-
APVJ95X16.1615		16	93	80	3	1615	42	38.5	-	-
APVJ95X20.1615		20	93	80	3	1615	51	38.5	-	-
APVJ100X8.1210	100	8	98	86	2	1210	23	26	65	-
APVJ100X12.1210		12	98	86	3	1210	32	26	-	-
APVJ100X16.1615		16	98	84	3	1615	42	38.5	-	-
APVJ100X20.1615		20	98	84	3	1615	51	38.5	-	-
APVJ106X8.1210	106	8	104	92	7	1210	23	26	65	8
APVJ106X12.1210		12	104	92	3	1210	32	26	65	8
APVJ106X16.1615		16	104	90	3	1615	42	38.5	-	-
APVJ106X20.1615		20	104	90	3	1615	51	38.5	-	-
APVJ112X8.1210	112	8	110	98	7	1210	23	26	65	8
APVJ112X12.1210		12	110	98	5	1210	32	26	65	8
APVJ112X16.1615		16	110	96	5	1615	42	38.5	75	9
APVJ112X20.1615		20	110	96	5	1615	51	38.5	75	9
APVJ118X8.1210	118	8	116	102	7	1210	23	26	65	8
APVJ118X12.1210		12	116	102	5	1210	32	26	65	8
APVJ118X16.2012		16	116	100	5	1615	42	38.5	75	9
APVJ118X20.2012		20	116	100	5	1615	51	38.5	75	9
APVJ125X8.1610	125	8	123	109	7	1210	23	26	65	8
APVJ125X12.1610		12	123	109	5	1210	32	26	65	8
APVJ125X16.2012		16	123	107	5	2012	42	32.5	90	9
APVJ125X20.2012		20	123	107	5	2012	51	32.5	90	9
APVJ132X8.1610	132	8	130	116	7	1610	23	26	75	8
APVJ132X12.1610		12	130	116	5	1610	32	26	75	8
APVJ132X16.2012		16	130	114	5	2012	42	32.5	90	9
APVJ132X20.2012		20	130	114	5	2012	51	32.5	90	9
APVJ140X8.1610	140	8	138	124	7	1610	23	26	75	8
APVJ140X12.1610		12	138	124	5	1610	32	26	75	8
APVJ140X16.2012		16	138	122	5	2012	42	32.5	90	9
APVJ140X20.2012		20	138	122	5	2012	51	32.5	90	9
APVJ150X8.1610	150	8	148	134	7	1610	23	26	75	8
APVJ150X12.1610		12	148	134	5	1610	32	26	75	9
APVJ150X16.2012		16	148	132	5	2012	42	32.5	94	9
APVJ150X20.2012		20	148	132	5	2012	51	32.5	94	9
APVJ160X8.1610	160	8	158	144	7	1610	23	26	75	8
APVJ160X12.1610		12	158	144	5	1610	32	26	75	9
APVJ160X16.2012		16	158	142	5	2012	42	32.5	94	9
APVJ160X20.2012		20	158	142	5	2012	51	32.5	94	9

Metric Poly-V Sheaves

Material: Aluminum Alloy (DIN 7867)

Section J

Part No.	De	Grooves	E	U	Figure	Bushing	W	L	M	C
APVJ170X8.1610	170	8	168	154	7	1610	23	26	75	8
APVJ170X12.1610		12	168	154	5	1610	32	26	75	9
APVJ170X16.2012		16	168	152	5	2012	42	32.5	94	9
APVJ170X20.2012		20	168	152	5	2012	51	32.5	94	9
APVJ180X8.1610	180	8	178	164	7	1610	23	26	75	8
APVJ180X12.1610		12	178	164	5	1610	32	26	75	9
APVJ180X16.2012		16	178	162	5	2012	42	32.5	98	9
APVJ180X20.2012		20	178	162	5	2012	51	32.5	98	9
APVJ190X8.1610	190	8	188	174	7	1610	23	26	75	8
APVJ190X12.1610		12	188	174	5	1610	32	26	75	9
APVJ190X16.2012		16	188	172	5	2012	42	32.5	98	9
APVJ190X20.2012		20	188	172	5	2012	51	32.5	98	9
APVJ200X8.2012	200	8	198	184	7	2012	23	32.5	98	9
APVJ200X12.2012		12	198	184	7	2012	32	32.5	98	9
APVJ200X16.2517		16	198	182	7	2517	42	45.5	118	10
APVJ200X20.2517		20	198	182	5	2517	51	45.5	118	10
APVJ212X8.2012	212	8	210	196	7	2012	23	32.5	108	9
APVJ212X12.2012		12	210	196	7	2012	32	32.5	108	9
APVJ212X16.2517		16	210	194	7	2517	42	45.5	118	10
APVJ212X20.2517		20	210	194	5	2517	51	45.5	118	10
APVJ224X8.2517	224	8	222	208	7	2517	23	45.5	118	9
APVJ224X12.2517		12	222	208	7	2517	32	45.5	118	9
APVJ224X16.2517		16	222	206	7	2517	42	45.5	118	10
APVJ224X20.2517		20	222	206	5	2517	51	45.5	118	10
APVJ236X8.2517	236	8	234	215	7	2517	23	45.5	130	9.5
APVJ236X12.2517		12	234	215	7	2517	32	45.5	130	9.5
APVJ236X16.2517		16	234	213	7	2517	42	45.5	132	10.5
APVJ236X20.2517		20	234	213	5	2517	51	45.5	132	10.5
APVJ250X8.2517	250	8	248	229	7	2517	23	45.5	130	9.5
APVJ250X12.2517		12	248	229	7	2517	32	45.5	130	9.5
APVJ250X16.2517		16	248	227	7	2517	42	45.5	132	10.5
APVJ250X20.2517		20	248	227	5	2517	51	45.5	132	10.5
APVJ265X8.2517	265	8	263	244	7	2517	23	45.5	130	9.5
APVJ265X12.2517		12	263	244	7	2517	32	45.5	130	9.5
APVJ265X16.2517		16	263	242	7	2517	42	45.5	132	10.5
APVJ265X20.2517		20	263	242	5	2517	51	45.5	132	10.5
APVJ280X8.2517	280	8	278	259	7	2517	23	45.5	130	9.5
APVJ280X12.2517		12	278	259	7	2517	32	45.5	130	9.5
APVJ280X16.2517		16	278	257	7	2517	42	45.5	132	10.5
APVJ280X20.2517		20	278	257	5	2517	51	45.5	132	10.5
APVJ300X8.2517	300	8	298	279	7	2517	23	45.5	130	10.5
APVJ300X12.2517		12	298	279	7	2517	32	45.5	130	10.5
APVJ300X16.3020		16	298	277	7	3020	42	51	148	11.5
APVJ300X20.3020		20	298	277	6	3020	51	51	148	11.5
APVJ315X8.2517	315	8	313	290	7	2517	23	45.5	130	14
APVJ315X12.2517		12	313	290	7	2517	32	45.5	130	14
APVJ315X16.3020		16	313	290	7	3020	42	51	148	15
APVJ315X20.3020		20	313	290	6	3020	51	51	148	15

Metric Poly-V Sheaves

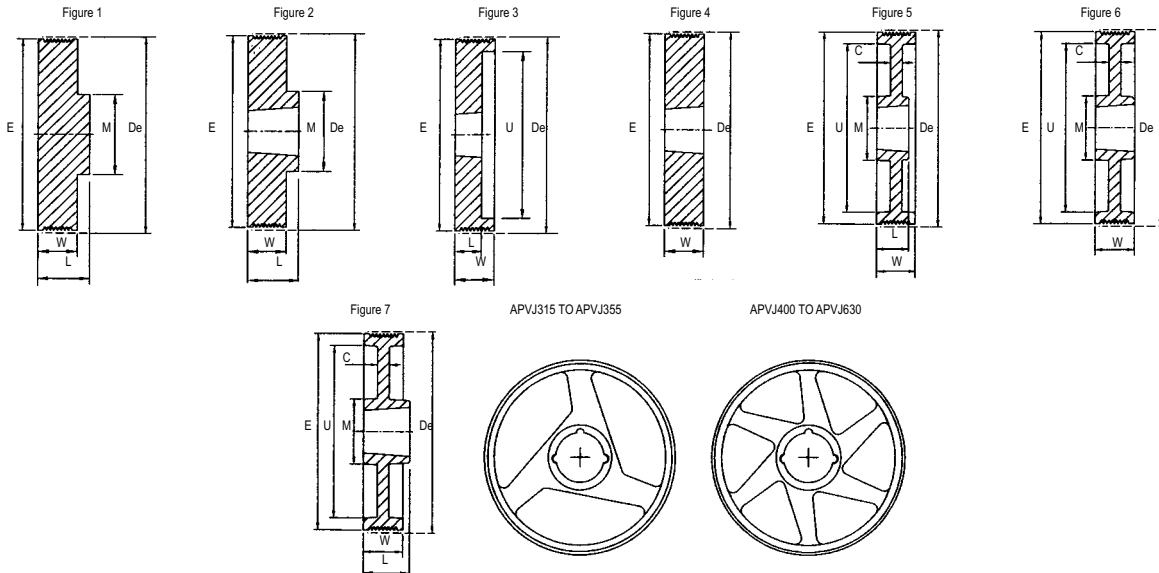
Material: Aluminum Alloy (DIN 7867)

Section J

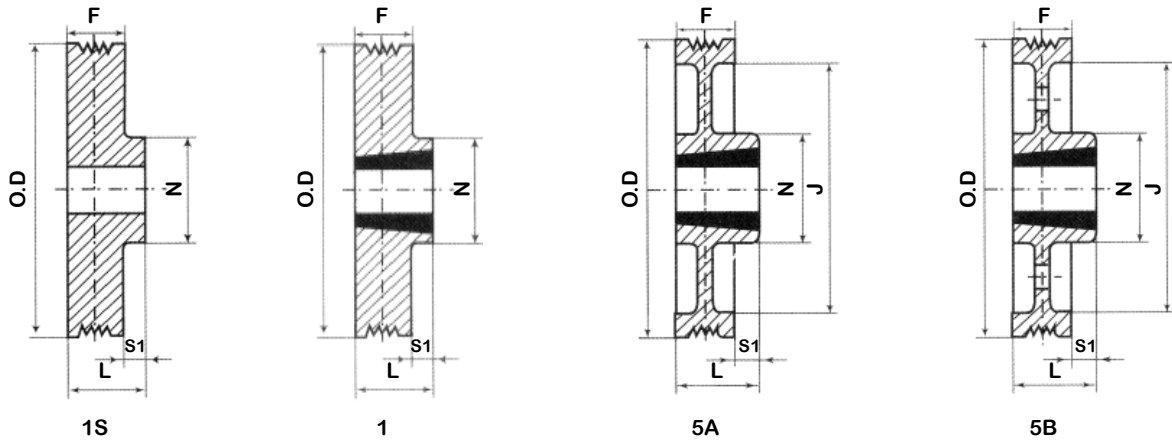
Part No.	De	Grooves	E	U	Figure	Bushing	W	L	M	C
APVJ355X8.2517	355	8	353	328	7	2517	23	45.5	130	14
APVJ355X12.2517		12	353	328	7	2517	32	45.5	130	14
APVJ355X16.3020		16	353	324	7	3020	42	51	146	15
APVJ355X20.3020		20	353	324	6	3020	51	51	146	15
APVJ400X8.2517	400	8	398	373	7	2517	23	45.5	130	14
APVJ400X12.2517		12	398	373	7	2517	32	45.5	130	14
APVJ400X16.3020		16	398	373	7	3020	42	51	146	15
APVJ400X20.3020		20	398	373	6	3020	51	51	146	15
APVJ450X8.2517	450	8	448	420	7	2517	23	45.5	135	14
APVJ450X12.2517		12	448	420	7	2517	32	45.5	135	14
APVJ450X16.3020		16	448	418	7	3020	42	51	149	15
APVJ450X20.3020		20	448	418	6	3020	51	51	149	15
APVJ500X8.2517	500	8	498	468	7	2517	23	45.5	140	14
APVJ500X12.2517		12	498	468	7	2517	32	45.5	140	14
APVJ500X16.3020		16	498	466	7	3020	42	51	149	15
APVJ500X20.3020		20	498	466	6	3020	51	51	149	15
APVJ560X8.2517	560	8	558	528	7	2517	23	45.5	140	14
APVJ560X12.2517		12	558	528	7	2517	32	45.5	140	14
APVJ560X16.3020		16	558	524	7	3020	42	51	149	15
APVJ560X20.3020		20	558	524	6	3020	51	51	149	15

APVJ315 and APVJ355 pulleys with 3 spokes.

APVJ400, APVJ450, APVJ500, APVJ560 pulleys with 6 spokes.



American Standard ANSI (Inch) Poly-V Sheaves J-Profile



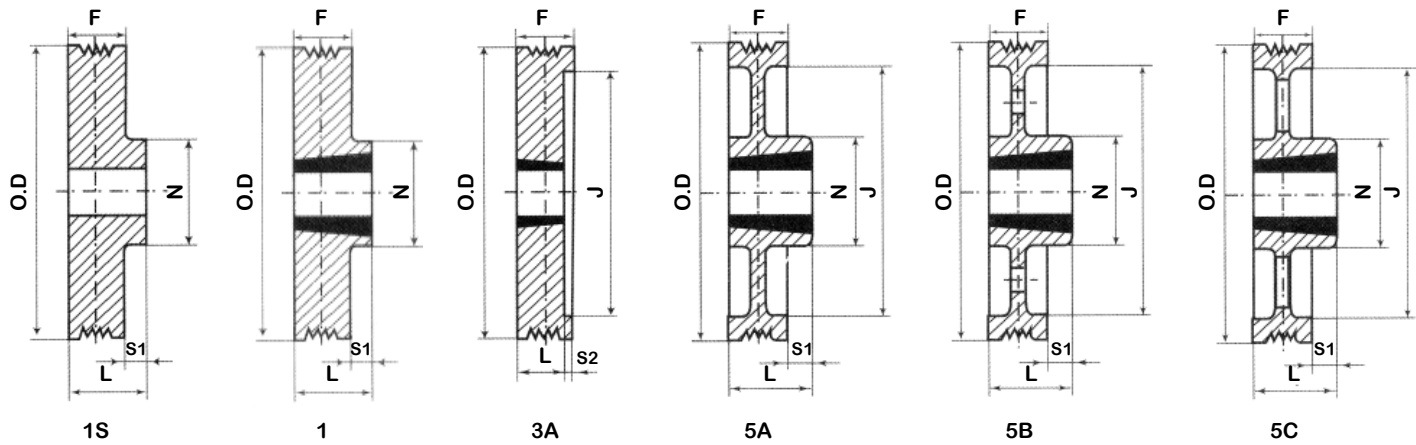
J-4

Part No.	P.D	O.D.	Bush	Type	N	J	F	L	E	S1	S2	Wt lbs
4J08.MPB	0.79	0.71	-	1S	9/16	-	1/2	1	-	1/2	-	0.02
4J10.MPB	0.98	0.91	-	1S	13/16	-	1/2	1	-	1/2	-	0.03
4J15.MPB	1.57	1.50	-	1S	1 3/8	-	1/2	1	-	1/2	-	0.08
4J18.MPB	1.77	1.69	-	1S	1 9/16	-	1/2	1	-	1/2	-	0.10
4J20.MPB	1.97	1.89	-	1S	1 3/4	-	1/2	1	-	1/2	-	0.13
4J22.1108	2.20	2.13	1108	1	2	-	1/2	1	-	1/2	-	0.16
4J25.1108	2.48	2.40	1108	1	2 3/8	-	1/2	7/8	-	3/8	-	0.12
4J28.1108	2.80	2.72	1108	1	2 3/8	-	1/2	7/8	-	3/8	-	0.17
4J30.1108	2.95	2.87	1108	1	2 3/8	-	1/2	7/8	-	3/8	-	0.18
4J31.1310	3.15	3.07	1310	1	2 3/8	-	1/2	7/8	-	3/8	-	0.20
4J33.1310	3.35	3.27	1310	1	2 3/8	-	1/2	7/8	-	3/8	-	0.23
4J35.1610	3.54	3.46	1610	1	2 3/8	-	1/2	7/8	-	3/8	-	0.24
4J37.1610	3.74	3.66	1610	1	2 3/8	-	1/2	7/8	-	3/8	-	0.28
4J40.1610	3.94	3.86	1610	1	2 3/8	-	1/2	7/8	-	3/8	-	0.30
4J44.1610	4.41	4.33	1610	1	3 1/8	-	1/2	1	-	1/2	-	0.41
4J50.1610	4.92	4.84	1610	1	3 1/8	-	1/2	1	-	1/2	-	0.51
4J55.1610	5.51	5.43	1610	1	3 1/8	-	1/2	1	-	1/2	-	0.63
4J63.2012	6.30	6.22	2012	5A	3 3/8	-	1/2	1	-	1/2	-	0.79
4J78.2012	7.87	7.80	2012	5A	4 1/8	7 1/4	1/2	1 1/4	5/16	3/4	-	1.05
4J98.2012	9.84	9.76	2012	5A	4 1/8	9 3/16	1/2	1 1/4	5/16	3/4	-	1.45
4J124.2012	12.40	12.32	2012	5B	4 1/8	11 9/16	1/2	1 1/4	5/16	3/4	-	1.78

Standard Bore Dimensions of Taper-Lock® Bushings

Bushing	Stock Bores																								
	1/2	9/16	5/8	11/16	3/4	13/16	7/8	15/16	1	1 1/16	1 1/8	1 3/16	1 1/4	1 5/16	1 3/8	1 7/16	1 1/2	1 9/16	1 5/8	1 11/16	1 3/4	1 13/16	1 7/8	1 15/16	2
1108	●	●	●	●	●	●	●	●	●	△	△														
1310	●	●	●	●	●	●	●	●	●	●	●	●	●	●											
1610	●	●	●	●	●	●	●	●	●	●	●	●	●	●	●	●	△	△							
2012	●	●	●	●	●	●	●	●	●	●	●	●	●	●	●	●	●	●	●	●	●	●	●	△	△

American Standard ANSI (Inch) Poly-V Sheaves J-Profile



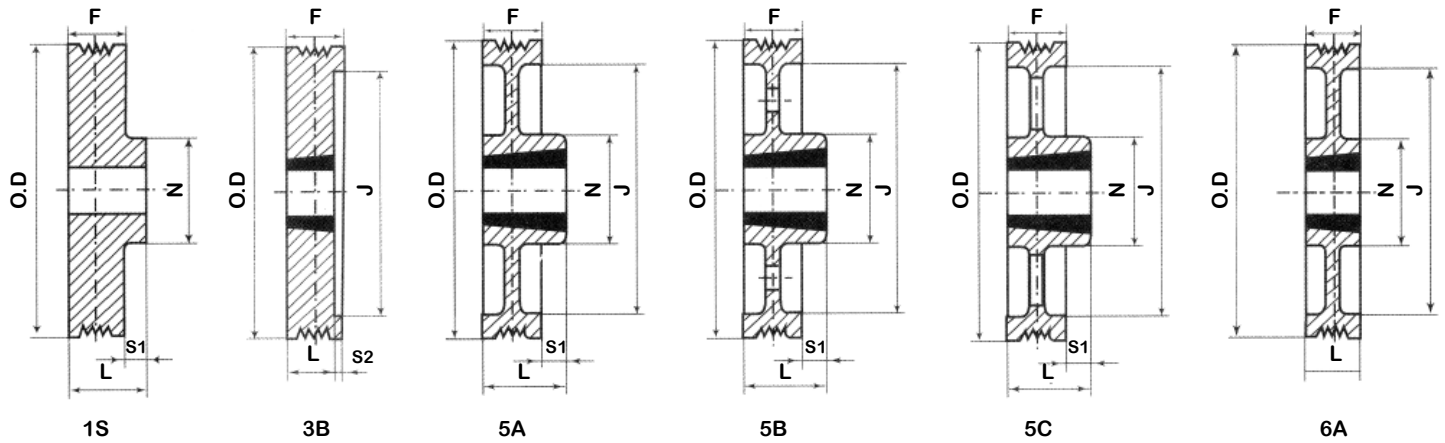
J-8

Part No.	P.D	O.D.	Bush	Type	N	J	F	L	E	S1	S2	Wt lbs
8J08.MPB	0.79	0.71	-	1S	9/16	-	15/16	1 3/16	-	1/4	-	0.01
8J10.MPB	0.98	0.91	-	1S	7/8	-	15/16	1 3/16	-	1/4	-	0.01
8J15.MPB	1.57	1.50	-	1S	1 3/8	-	15/16	1 3/16	-	1/4	-	0.04
8J18.MPB	1.77	1.69	-	1S	1 9/16	-	15/16	1 3/16	-	1/4	-	0.05
8J20.MPB	1.97	1.89	-	1S	1 3/4	-	15/16	1 3/16	-	1/4	-	0.06
8J22.MPB	2.20	2.13	-	3A	2	-	15/16	1 3/16	-	1/4	-	0.11
8J25.1108	2.48	2.40	1108	1	-	1 13/16	15/16	7/8	-	-	1/16	0.16
8J28.1108	2.80	2.72	1210	1	2 9/16	-	15/16	1	-	1/16	-	0.19
8J30.1108	2.95	2.87	1210	1	2 3/4	-	15/16	1	-	1/16	-	0.23
8J31.1310	3.15	3.07	1210	1	2 3/4	-	15/16	1	-	1/16	-	0.27
8J33.1310	3.35	3.27	1210	1	2 15/16	-	15/16	1	-	1/16	-	0.32
8J35.1610	3.54	3.46	1210	1	2 15/16	-	15/16	1	-	1/16	-	0.31
8J37.1610	3.74	3.66	1610	1	3 3/8	-	15/16	1	-	1/16	-	0.36
8J40.1610	3.94	3.86	1610	1	3 3/8	-	15/16	1	-	1/16	-	0.42
8J42.1610	4.17	4.09	1610	1	3 3/8	-	15/16	1	-	1/16	-	0.52
8J44.1610	4.41	4.33	1610	1	3 3/8	-	15/16	1	-	1/16	-	0.59
8J46.1610	4.65	4.57	1610	1	3 3/8	-	15/16	1	-	1/16	-	0.66
8J50.1610	4.92	4.84	1610	1	3 3/8	-	15/16	1	-	1/16	-	0.68
8J52.1610	5.20	5.12	1610	1	3 3/8	-	15/16	1	-	1/16	-	0.72
8J55.1610	5.51	5.43	1610	1	3 3/8	-	15/16	1	-	1/16	-	0.77
8J63.2012	6.30	6.22	2012	1	4 1/8	-	15/16	1 1/4	-	5/16	-	0.78
8J70.2012	7.09	5.04	2012	5A	4 1/8	6 7/16	15/16	1 1/4	1/2	5/16	-	0.92
8J78.2012	7.87	7.80	2012	5A	4 1/8	7 1/4	15/16	1 1/4	1/2	5/16	-	0.97
8J88.2012	8.82	8.74	2012	5A	4 1/8	8 3/16	15/16	1 1/4	1/2	5/16	-	1.06
8J98.2012	9.84	9.76	2012	5A	4 1/8	9 3/16	15/16	1 1/4	1/2	5/16	-	1.30
8J110.2012	11.02	10.94	2012	5B	4 1/8	10 3/8	15/16	1 1/4	1/2	5/16	-	2.08
8J124.2012	12.40	12.32	2517	5B	4 3/4	11 9/16	15/16	1 3/4	9/16	13/16	-	2.32
8J140.2517	13.98	13.90	2517	5C	4 3/4	13 1/8	15/16	1 3/4	9/16	13/16	-	2.40
8J157.2517	15.75	15.67	2517	5C	4 3/4	14 7/8	15/16	1 3/4	9/16	13/16	-	2.60

Standard Bore Dimensions of Taper-Lock® Bushings

Bushing	Stock Bores																								
	1/2	9/16	5/8	11/16	3/4	13/16	7/8	15/16	1	1 1/16	1 1/8	1 3/16	1 1/4	1 5/16	1 3/8	1 7/16	1 1/2	1 9/16	1 5/8	1 11/16	1 3/4	1 13/16	1 7/8	1 15/16	2
1108	●	●	●	●	●	●	●	●	●	△	△														
1310	●	●	●	●	●	●	●	●	●	●	●	●	●	●	●										
1610	●	●	●	●	●	●	●	●	●	●	●	●	●	●	●	●	△	△							
2012	●	●	●	●	●	●	●	●	●	●	●	●	●	●	●	●	●	●	●	●	●	●	●	△	△

American Standard ANSI (Inch) Poly-V Sheaves J-Profile



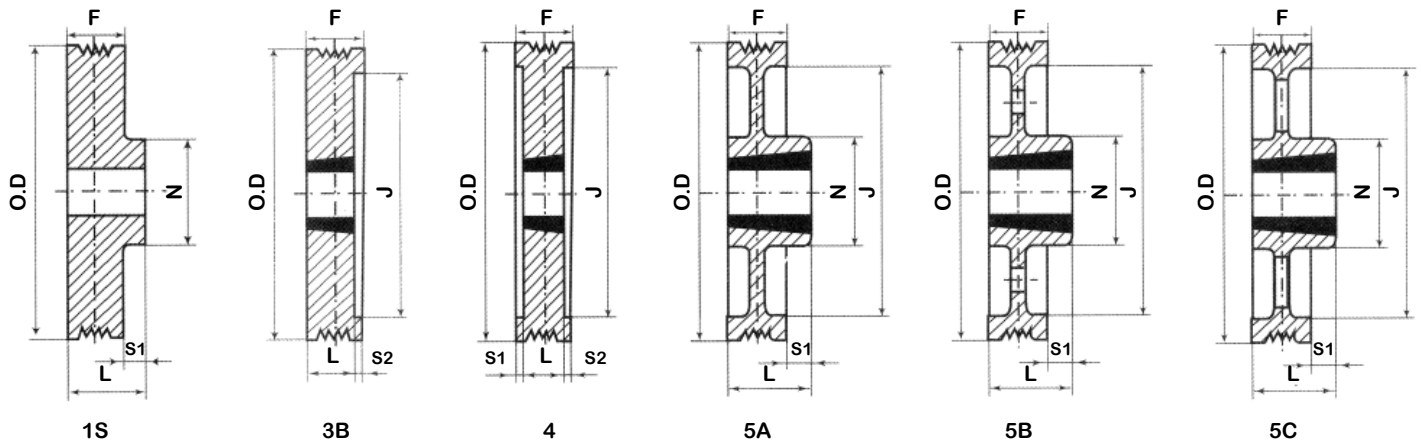
J-12

Part No.	P.D.	O.D.	Bush	Type	N	J	F	L	E	S1	S2	Wt lbs
12J15.MPB	1.57	1.50	-	1S	1 3/8	-	1 1/4	1 9/16	-	5/16	-	0.04
12J18.MPB	1.77	1.69	-	1S	1 9/16	-	1 1/4	1 9/16	-	5/16	-	0.05
12J20.MPB	1.97	1.89	-	1S	1 3/4	-	1 1/4	1 9/16	-	5/16	-	0.07
12J22.MPB	2.20	2.13	-	1S	2	-	1 1/4	1 9/16	-	5/16	-	0.08
12J25.1108	2.48	2.40	1108	3B	-	1 13/16	1 1/4	7/8	-	-	3/8	0.13
12J28.1108	2.80	2.72	1108	3B	-	2 3/16	1 1/4	1	-	-	1/4	0.18
12J30.1610	2.95	2.87	1610	3B	-	2 3/8	1 1/4	1	-	-	1/4	0.22
12J31.1610	3.15	3.07	1610	3B	-	2 9/16	1 1/4	1	-	-	1/4	0.28
12J33.1610	3.35	3.27	1610	3B	-	2 11/16	1 1/4	1	-	-	1/4	0.30
12J35.1610	3.54	3.46	1610	3B	-	2 15/16	1 1/4	1	-	-	1/4	0.35
12J37.1610	3.74	3.66	1610	3B	-	3 1/8	1 1/4	1	-	-	1/4	0.38
12J40.1610	3.94	3.86	1610	3B	-	3 5/16	1 1/4	1	-	-	1/4	0.40
12J42.1610	4.17	4.09	1610	3B	-	3 9/16	1 1/4	1	-	-	1/4	0.48
12J44.1610	4.41	4.33	1610	3B	-	3 3/4	1 1/4	1	-	-	1/4	0.55
12J46.2012	4.65	4.57	2012	3B	-	4	1 1/4	1	-	-	1/4	0.58
12J50.2012	4.92	4.84	2012	3B	-	4 5/16	1 1/4	1	-	-	1/4	0.70
12J52.2012	5.20	5.12	2012	3B	-	4 1/2	1 1/4	1 1/4	-	-	-	0.74
12J55.2517	5.51	5.43	2517	3B	-	4 15/16	1 1/4	1 1/4	-	-	-	0.86
12J63.2517	6.30	6.22	2517	3B	-	5 11/16	1 1/4	1 1/4	-	-	-	0.96
12J70.2517	7.09	7.01	2517	6A	4 1/8	6 7/16	1 1/4	1 1/4	1/2	-	-	1.05
12J78.2517	7.87	7.80	2517	6A	4 1/8	7 1/4	1 1/4	1 1/4	1/2	-	-	1.41
12J88.2517	8.82	8.74	2517	5A	4 3/4	8 3/16	1 1/4	1 3/4	1/2	1/2	-	1.54
12J98.2517	9.84	9.76	2517	5A	4 3/4	9 3/16	1 1/4	1 3/4	1/2	1/2	-	1.60
12J110.2517	11.02	10.94	2517	5B	4 3/4	10 3/8	1 1/4	1 3/4	1/2	1/2	-	1.88
12J124.2517	12.40	12.32	2517	5B	4 3/4	11 9/16	1 1/4	1 3/4	1/2	1/2	-	2.08

Standard Bore Dimensions of Taper-Lock® Bushings

Bushing	Stock Bores																								
	1/2	9/16	5/8	11/16	3/4	13/16	7/8	15/16	1	1 1/16	1 1/8	1 3/16	1 1/4	1 5/16	1 3/8	1 7/16	1 1/2	1 9/16	1 5/8	1 11/16	1 3/4	1 13/16	1 7/8	1 15/16	2
1108	●	●	●	●	●	●	●	●	●	△	△														
1310	●	●	●	●	●	●	●	●	●	●	●	●	●	●	●										
1610	●	●	●	●	●	●	●	●	●	●	●	●	●	●	●	●	△	△							
2012	●	●	●	●	●	●	●	●	●	●	●	●	●	●	●	●	●	●	●	●	●	●	●	△	△

American Standard ANSI (Inch) Poly-V Sheaves J-Profile



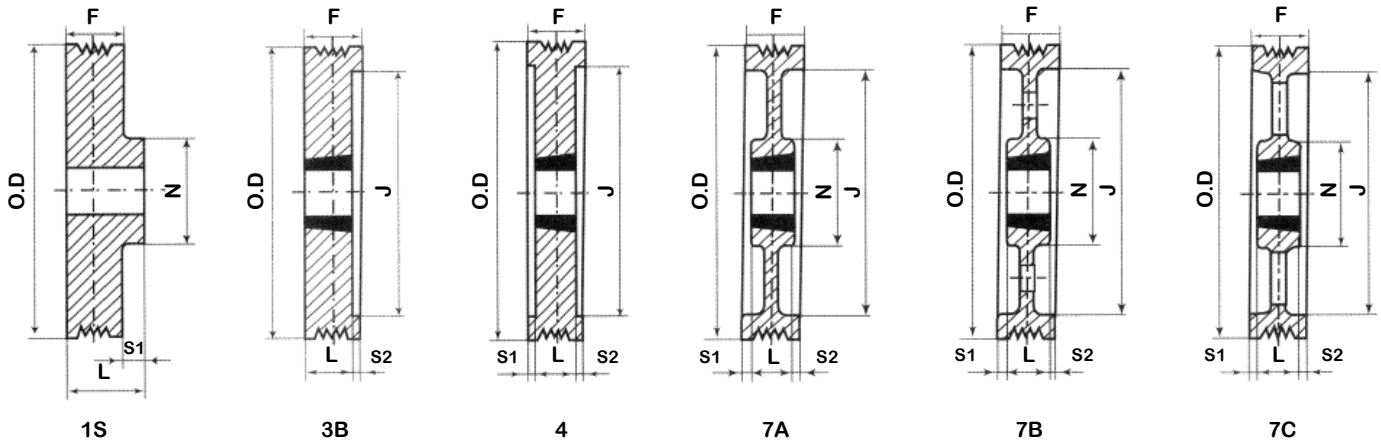
J-16

Part No.	P.D	O.D.	Bush	Type	N	J	F	L	E	S1	S2	Wt lbs
16J18.MPB	1.77	1.69	-	1S	1 9/16	-	1 5/8	1 7/8	-	1/4	-	0.07
16J20.MPB	1.97	1.89	-	1S	1 3/4	-	1 5/8	1 7/8	-	1/4	-	0.08
16J22.MPB	2.20	2.13	-	1S	2	-	1 5/8	1 7/8	-	1/4	-	0.10
16J25.MPB	2.48	2.40	-	4	-	1 13/16	1 5/8	7/8	-	3/8	3/8	0.16
16J28.1215	2.80	2.72	1215	4	-	2 3/16	1 5/8	1	-	5/16	5/16	0.20
16J30.1610	2.95	2.87	1210	4	-	2 3/8	1 5/8	1	-	5/16	5/16	0.25
16J31.1610	3.15	3.07	1610	4	-	2 9/16	1 5/8	1	-	5/16	5/16	0.10
16J.331610	3.35	3.27	1610	4	-	2 11/16	1 5/8	1	-	5/16	5/16	0.35
16J35.1610	3.54	3.46	1610	4	-	2 15/16	1 5/8	1	-	5/16	5/16	0.39
16J37.1610	3.74	3.66	1610	4	-	3 1/8	1 5/8	1	-	5/16	5/16	0.40
16J40.1610	3.94	3.86	1610	4	-	3 5/16	1 5/8	1	-	5/16	5/16	0.40
16J42.1610	4.17	4.09	1610	4	-	3 9/16	1 5/8	1	-	5/16	5/16	0.52
16J44.1610	4.41	4.33	1610	3B	-	3 3/4	1 5/8	1 1/4	-	3/8	-	0.60
16J46.2012	4.65	4.57	2012	3B	-	4	1 5/8	1 1/4	-	3/8	-	0.72
16J50.2012	4.92	4.84	2012	3B	-	4 5/16	1 5/8	1 1/4	-	3/8	-	0.80
16J52.2012	5.20	5.12	2012	3B	-	4 1/2	1 5/8	1 1/4	-	3/8	-	0.92
16J55.2517	5.51	5.43	2517	3B	-	4 15/16	1 5/8	1 1/4	-	3/8	-	1.04
16J63.2517	6.30	6.22	2517	3B	-	5 11/16	1 5/8	1 1/4	-	3/8	-	1.40
16J70.2517	7.09	7.01	2517	5A	4 3/4	6 7/16	1 5/8	1 3/4	1/2	1/8	-	1.76
16J78.2517	7.87	7.80	2517	5A	4 3/4	7 1/4	1 5/8	1 3/4	1/2	1/8	-	1.88
16J88.2517	8.82	8.74	2517	5A	4 3/4	8 3/16	1 5/8	1 3/4	1/2	1/8	-	1.92
16J98.2517	9.84	9.76	2517	5A	4 3/4	9 3/16	1 5/8	1 3/4	1/2	1/8	-	2.04
16J110.3535	11.02	10.94	3535	5B	4 3/4	10 3/8	1 5/8	1 3/4	1/2	1/8	-	2.12
16J120.3535	12.40	12.32	3535	5B	4 3/4	11 9/16	1 5/8	1 3/4	1/2	1/8	-	2.40
16J140.3535	13.98	13.90	3535	5C	4 3/4	13 1/8	1 5/8	1 3/4	9/16	1/8	-	2.84
16J160.3535	15.75	15.67	3535	5C	4 3/4	14 7/8	1 5/8	1 3/4	9/16	1/8	-	3.47

Standard Bore Dimensions of Taper-Lock® Bushings

Bushing	Stock Bores																								
	1/2	9/16	5/8	11/16	3/4	13/16	7/8	15/16	1	1 1/16	1 1/8	1 3/16	1 1/4	1 5/16	1 3/8	1 7/16	1 1/2	1 9/16	1 5/8	1 11/16	1 3/4	1 13/16	1 7/8	1 15/16	2
1108	●	●	●	●	●	●	●	●	●	△	△														
1310	●	●	●	●	●	●	●	●	●	●	●	●	●	●	●										
1610	●	●	●	●	●	●	●	●	●	●	●	●	●	●	●	●	△	△							
2012	●	●	●	●	●	●	●	●	●	●	●	●	●	●	●	●	●	●	●	●	●	●	●	△	△

American Standard ANSI (Inch) Poly-V Sheaves J-Profile



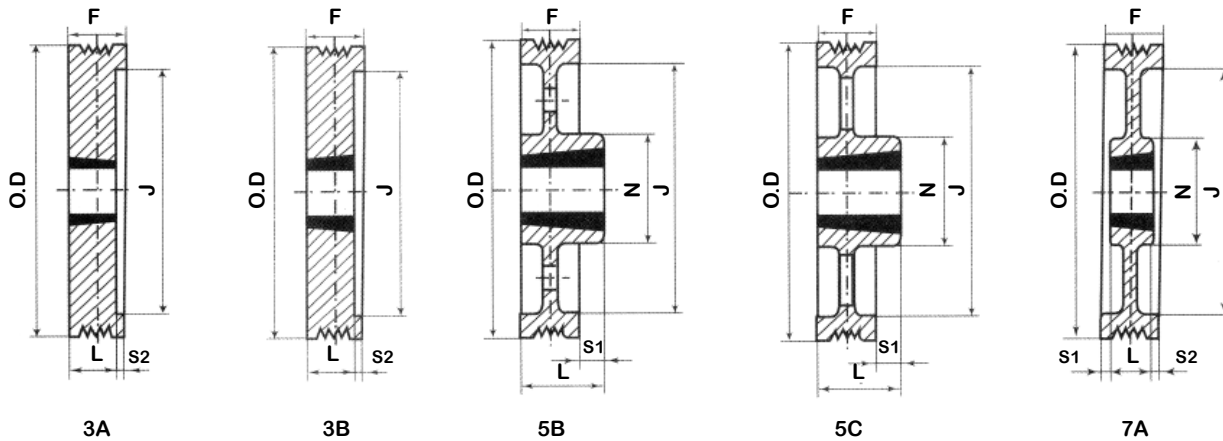
J-20

Part No.	P.D	O.D.	Bush	Type	N	J	F	L	E	S1	S2	Wt lbs
20J18.MPB	1.77	1.69	-	1S	1 3/8	-	2 1/16	2 5/16	-	1/4	-	0.08
20J20.MPB	1.97	1.89	-	1S	1 9/16	-	2 1/16	2 5/16	-	1/4	-	0.10
20J22.MPB	2.20	2.13	-	1S	1 3/4	-	2 1/16	2 5/16	-	1/4	-	0.13
20J25.MPB	2.48	2.40	-	1S	2 3/16	-	2 1/16	2 5/16	-	1/4	-	0.16
20J28.1215	2.80	2.72	1215	4	-	2 3/16	2 1/16	1	-	9/16	9/16	0.25
20J30.1615	2.95	2.87	1615	4	-	2 3/8	2 1/16	1	-	9/16	9/16	0.28
20J31.1615	3.15	3.07	1615	4	-	2 9/16	2 1/16	1	-	9/16	9/16	0.33
20J33.1615	3.35	3.27	1615	4	-	2 11/16	2 1/16	1	-	9/16	9/16	0.40
20J35.1615	3.54	3.46	1615	4	-	2 13/16	2 1/16	1	-	9/16	9/16	0.44
20J37.1615	3.74	3.66	1615	4	-	3 1/8	2 1/16	1	-	9/16	9/16	0.52
20J40.1615	3.94	3.86	1615	4	-	3 5/16	2 1/16	1	-	9/16	9/16	0.60
20J42.1615	4.17	4.09	1615	4	-	3 9/16	2 1/16	1	-	9/16	9/16	0.68
20J44.1615	4.41	4.33	1615	4	-	3 3/4	2 1/16	1 1/4	-	3/8	3/8	0.76
20J46.2012	4.65	4.57	2012	4	-	4	2 1/16	1 1/4	-	3/8	3/8	0.84
20J50.2517	4.92	4.84	2517	3B	-	4 5/16	2 1/16	1 3/4	-	-	1/4	1.08
20J52.2517	5.20	5.12	2517	3B	-	4 1/2	2 1/16	1 3/4	-	-	1/4	1.28
20J55.2517	5.51	5.43	2517	3B	-	4 15/16	2 1/16	1 3/4	-	-	1/4	1.84
20J63.2517	6.30	6.22	2517	3B	-	5 11/16	2 1/16	1 3/4	-	-	1/4	2.00
20J70.2517	7.09	7.01	2517	3B	-	6 7/16	2 1/16	1 3/4	-	-	1/4	2.16
20J78.2517	7.87	7.80	2517	7A	4 3/4	7 1/4	2 1/16	1 3/4	1/2	-	1/4	2.88
20J88.2517	8.82	8.74	2517	7A	5 11/16	8 3/16	2 1/16	2	1/2	-	1/16	3.12
20J98.2517	9.84	9.76	2517	7A	5 11/16	9 3/16	2 1/16	2	1/2	-	1/16	3.31
20J110.2517	11.02	10.94	2517	7B	5 11/16	10 3/8	2 1/16	2	9/16	-	1/16	3.79
20J124.2517	12.48	12.32	2517	7B	5 11/16	11 9/16	2 1/16	2	9/16	-	1/16	4.39
20J140.3020	14.06	13.90	3020	7C	5 11/16	13 1/8	2 1/16	2	5/8	-	1/16	5.27
20J157.3020	15.83	15.67	3020	7C	5 11/16	14 7/8	2 1/16	2	5/8	-	1/16	6.11

Standard Bore Dimensions of Taper-Lock® Bushings

Bushing	Stock Bores																								
	1/2	9/16	5/8	11/16	3/4	13/16	7/8	15/16	1	1 1/16	1 1/8	1 3/16	1 1/4	1 5/16	1 3/8	1 7/16	1 1/2	1 9/16	1 5/8	1 11/16	1 3/4	1 13/16	1 7/8	1 15/16	2
1108	●	●	●	●	●	●	●	●	●	△	△														
1310	●	●	●	●	●	●	●	●	●	●	●	●	●	●	●										
1610	●	●	●	●	●	●	●	●	●	●	●	●	●	●	●	●	●	△	△						
2012	●	●	●	●	●	●	●	●	●	●	●	●	●	●	●	●	●	●	●	●	●	●	●	△	△

American Standard ANSI (Inch) Poly-V Sheaves L-Profile



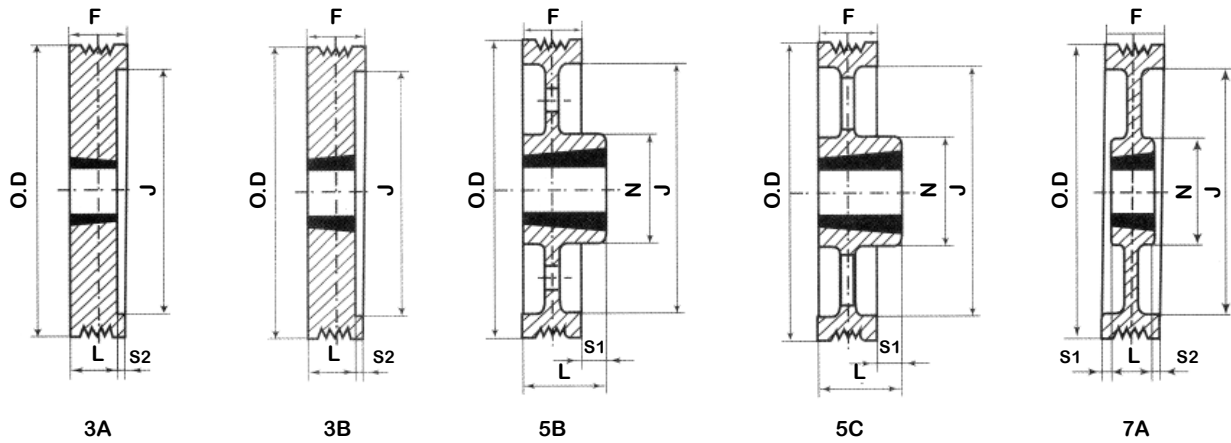
L-6

Part No.	P.D	O.D.	Bush	Type	N	J	F	L	E	S1	S2	Wt lbs
6L32.1210	3.15	2.87	1210	3A	-	2 5/16	1 9/16	1	-	-	9/16	0.33
6L34.1210	3.35	3.07	1210	3A	-	2 5/16	1 9/16	1	-	-	9/16	0.38
6L36.1610	3.54	3.27	1610	3A	-	2 11/16	1 9/16	1	-	-	9/16	0.41
6L38.1610	3.74	3.46	1610	3A	-	2 3/4	1 9/16	1	-	-	9/16	0.51
6L40.1610	3.94	3.66	1610	3A	-	2 13/16	1 9/16	1	-	-	9/16	0.54
6L42.1610	4.17	3.90	1610	3B	-	2 7/8	1 9/16	1	-	-	9/16	0.66
6L44.1610	4.41	4.13	1610	3B	-	3 1/8	1 9/16	1	-	-	9/16	0.76
6L46.2012	4.65	4.37	1610	3B	-	3 1/2	1 9/16	1	-	-	9/16	0.84
6L50.2012	4.92	4.65	1610	3B	-	3 9/16	1 9/16	1	-	-	9/16	0.90
6L52.2012	5.20	4.92	2012	3B	-	4 1/8	1 9/16	1 1/4	-	-	1/4	1.25
6L56.2517	5.51	5.24	2012	3B	-	4 5/16	1 9/16	1 1/4	-	-	1/4	1.46
6L64.2517	6.30	6.02	2012	3B	-	4 15/16	1 9/16	1 1/4	-	-	1/4	1.68
6L70.2517	7.09	6.81	2012	3B	-	5 11/16	1 9/16	1 1/4	-	-	1/4	1.73
6L78.2517	7.87	7.60	2012	7A	4 1/8	6 9/16	1 9/16	1 1/4	9/16	-	1/4	1.76
6L88.2517	8.82	8.54	2012	7A	4 1/8	7 1/2	1 9/16	1 1/4	9/16	-	1/4	2.26
6L100.2517	9.84	9.57	2012	7A	4 1/8	8 9/16	1 9/16	1 1/4	9/16	-	1/4	2.45
6L110.2517	11.02	10.75	2517	5B	4 3/4	9 3/4	1 9/16	1 3/4	9/16	1/4	-	3.08
6L120.2517	12.40	12.13	2517	5B	4 3/4	10 7/8	1 9/16	1 3/4	5/8	1/4	-	3.33
6L140.3020	13.98	13.70	3020	5C	5 11/16	12 7/16	1 9/16	2	5/8	1/2	-	4.22
6L160.3020	15.75	15.47	3020	5C	5 11/16	14 3/16	1 9/16	2	5/8	1/2	-	4.79

Standard Bore Dimensions of Taper-Lock® Bushings

Bushing	Stock Bores																												
	11/16	3/4	13/16	7/8	15/16	1	1 1/16	1 1/8	1 3/16	1 1/4	1 5/16	1 3/8	1 7/16	1 1/2	1 9/16	1 5/8	1 11/16	1 3/4	1 13/16	1 7/8	1 15/16	2	2 13/16	2 3/8	2 9/16	2 3/4	2 15/16		
1310	●	●	●	●	●	●	●	●	●	●	●	●																	
1610	●	●	●	●	●	●	●	●	●	●	●	●	●	●	●	●	●	●	●	△									
2012			●	●	●	●	●	●	●	●	●	●	●	●	●	●	●	●	●	●	●	●							
2517					●	●	●	●	●	●	●	●	●	●	●	●	●	●	●	●	●	●	●	●	●	●	●	●	●
3020								●	●	●	●	●	●	●	●	●	●	●	●	●	●	●	●	●	●	●	●	●	●

American Standard ANSI (Inch) Poly-V Sheaves L-Profile



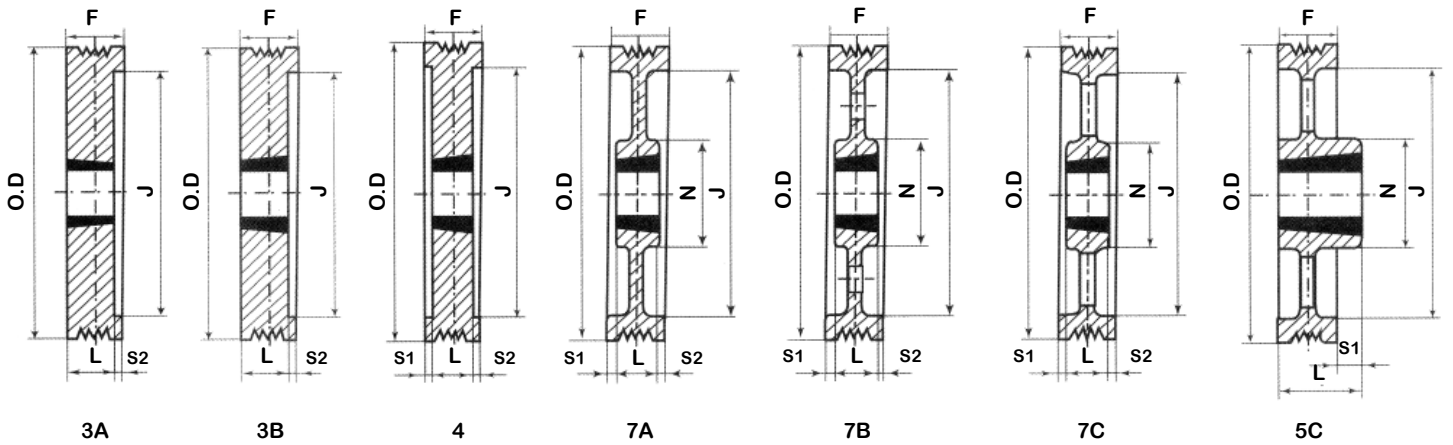
L-8

Part No.	P.D.	O.D.	Bush	Type	N	J	F	L	E	S1	S2	Wt lbs
8L30.1210	2.95	2.68	1210	3A	-	1 13/16	1 13/16	7/8	-	-	15/16	0.26
8L32.1210	3.15	2.87	1210	3A	-	2 5/16	1 13/16	1	-	-	13/16	0.27
8L34.1210	3.35	3.07	1210	3A	-	2 5/16	1 13/16	1	-	-	13/16	0.11
8L36.1610	3.54	3.27	1610	3A	-	2 11/16	1 13/16	1	-	-	13/16	0.40
8L38.1610	3.74	3.46	1610	3A	-	2 3/4	1 13/16	1	-	-	13/16	0.52
8L40.1610	3.94	3.66	1610	3A	-	2 13/16	1 13/16	1	-	-	13/16	0.44
8L42.1610	4.17	3.90	1610	4	-	2 7/8	1 13/16	1	-	7/16	7/16	0.48
8L44.1610	4.41	4.13	1610	4	-	3 1/8	1 13/16	1 1/4	-	1/4	1/4	0.48
8L46.2012	4.65	4.37	2012	4	-	3 1/2	1 13/16	1 1/4	-	1/4	1/4	0.61
8L50.2012	4.92	4.65	2012	4	-	3 9/16	1 13/16	1 1/4	-	1/4	1/4	0.72
8L52.2012	5.20	4.92	2012	4	-	4 1/8	1 13/16	1 1/4	-	1/4	1/4	0.80
8L56.2517	5.51	5.24	2517	4	-	4 5/16	1 13/16	1 1/4	-	1/4	1/4	1.00
8L64.2517	6.30	6.02	2217	4	-	4 15/16	1 13/16	1 1/4	-	1/4	1/4	1.16
8L70.2517	7.09	6.81	2517	3B	-	5 11/16	1 13/16	1 3/4	-	-	1/16	1.64
8L78.2517	7.87	7.60	2517	3B	-	6 9/16	1 13/16	1 3/4	-	-	1/16	1.88
8L88.2517	8.82	8.54	2517	7A	4 3/4	7 1/2	1 13/16	1 3/4	1/2	-	1/16	2.04
8L98.2012	9.84	9.57	2012	4A	4 3/4	8 9/16	1 13/16	1 3/4	1/2	-	1/16	2.56
8L110.3020	11.02	10.75	3020	5B	5 3/4	9 3/4	1 13/16	2	9/16	3/16	-	2.60
8L120.3020	12.40	12.13	3020	5B	5 3/4	9 11/16	1 13/16	2	9/16	3/16	-	2.72
8L140.3020	13.98	13.70	3020	5C	5 3/4	12 7/16	1 13/16	2	9/16	3/16	-	3.19
8L160.3020	15.75	15.47	3020	5C	6 5/8	14 3/16	1 13/16	2 1/2	5/8	11/16	-	3.67
8L180.3020	17.72	17.44	3020	5C	6 5/8	16 3/16	1 13/16	2 1/2	13/16	11/16	-	5.03
8L200.3020	19.69	19.41	3020	5C	8 1/2	18 1/8	1 13/16	3	13/16	1 3/16	-	5.19
8L240.3020	24.80	24.53	3020	5C	8 1/2	23 1/4	1 13/16	3	13/16	1 3/16	-	7.03

Standard Bore Dimensions of Taper-Lock® Bushings

Bushing	Stock Bores																												
	11/16	3/4	13/16	7/8	15/16	1	1 1/16	1 1/8	1 3/16	1 1/4	1 5/16	1 3/8	1 7/16	1 1/2	1 9/16	1 5/8	1 11/16	1 3/4	1 13/16	1 7/8	1 15/16	2	2 13/16	2 3/8	2 9/16	2 3/4	2 15/16		
1310	●	●	●	●	●	●	●	●	●	●	●	●																	
1610	●	●	●	●	●	●	●	●	●	●	●	●	●	●	●	●	●	●	●	△									
2012			●	●	●	●	●	●	●	●	●	●	●	●	●	●	●	●	●	●	●	●	●						
2517				●	●	●	●	●	●	●	●	●	●	●	●	●	●	●	●	●	●	●	●	●	●	●	●	●	●
3020							●	●	●	●	●	●	●	●	●	●	●	●	●	●	●	●	●	●	●	●	●	●	●

American Standard ANSI (Inch) Poly-V Sheaves L-Profile



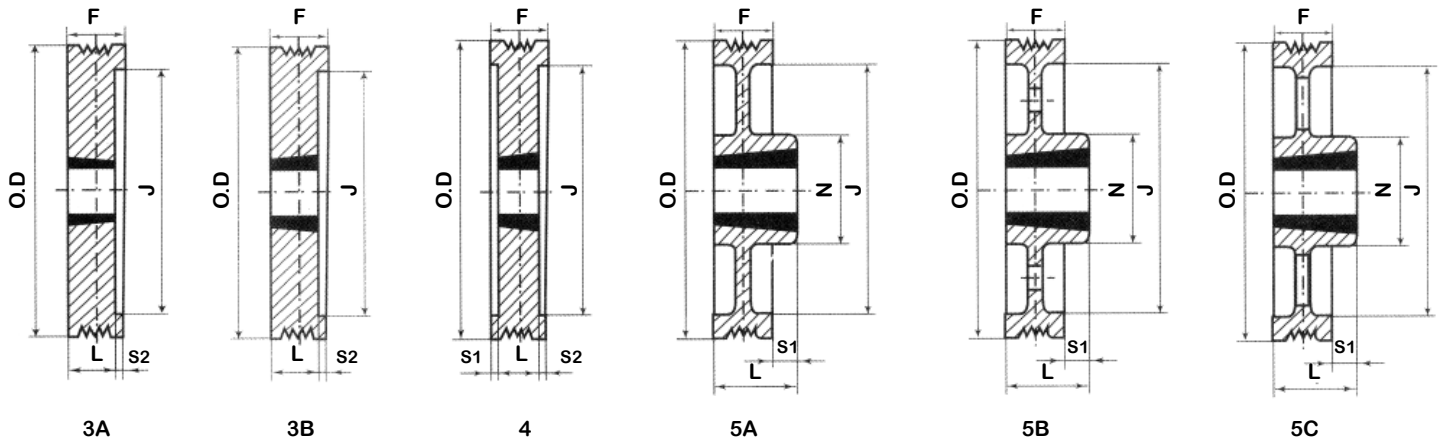
L-10

Part No.	P.D.	O.D.	Bush	Type	N	J	F	L	E	S1	S2	Wt
												lbs
10L30.1215	2.95	2.68	1215	3A	-	1 13/16	2 1/4	7/8	-	-	1 3/8	0.55
10L32.1215	3.15	2.87	1215	3A	-	2 5/16	2 1/4	1	-	-	1 1/4	0.60
10L34.1215	3.35	3.07	1215	3A	-	2 5/16	2 1/4	1	-	-	1 1/4	0.62
10L36.1615	3.54	3.27	1615	3A	-	2 11/16	2 1/4	1 1/2	-	-	3/4	0.66
10L38.1615	3.74	3.46	1615	3A	-	2 3/4	2 1/4	1 1/2	-	-	3/4	0.71
10L40.2012	3.94	3.66	201 2	3A	-	2 13/16	2 1/4	1 1/2	-	-	3/4	0.77
10L42.2012	4.17	3.90	2012	4	-	2 7/8	2 1/4	1 1/2	-	3/8	3/8	0.86
10L44.2012	4.41	4.13	2012	4	-	3 1/8	2 1/4	1 1/4	-	1/2	1/2	0.95
10L46.2517	4.65	4.37	2517	4	-	3 1/2	2 1/4	1 1/4	-	1/2	1/2	1.03
10L50.2517	4.92	4.65	2517	4	-	3 9/16	2 1/4	1 1/4	-	1/2	1/2	0.90
10L52.2517	5.20	4.92	2517	4	-	4 1/8	2 1/4	1 1/4	-	1/2	1/2	1.27
10L56.2517	5.51	5.24	2517	4	-	4 5/16	2 1/4	1 1/4	-	1/2	1/2	1.58
10L64.2517	6.30	6.02	2517	4	-	4 15/16	2 1/4	1 1/4	-	1/2	1/2	1.93
10L70.2517	7.09	6.81	2517	3B	-	5 11/16	2 1/4	1 3/4	-	-	1/2	2.78
10L78.3020	7.87	7.60	3020	3B	4 3/4	6 9/16	2 1/4	1 3/4	-	-	1/2	3.68
10L88.3020	8.82	8.54	3020	7A	4 3/4	7 1/2	2 1/4	1 3/4	1/2	-	1/2	2.86
10L100.3020	9.84	9.57	3020	7A	5 11/16	8 9/16	2 1/4	1 3/4	1/2	-	1/2	3.10
10L110.3020	11.02	10.75	3020	7B	5 11/16	9 3/4	2 1/4	2	9/16	-	1/4	3.91
10L120.3535	12.40	12.13	3535	7B	5 11/16	9 11/16	2 1/4	2	9/16	-	1/4	4.67
10L140.3535	13.98	13.70	3535	7C	6 9/16	12 7/16	2 1/4	2	5/8	-	1/4	6.07
10L160.3535	15.75	15.47	3535	5C	6 5/8	14 3/16	2 1/4	2 1/2	5/8	1/4	-	6.51
10L180.3535	17.72	17.44	3535	5C	8 1/2	16 3/16	2 1/4	2 1/2	3/4	1/4	-	8.59
10L200.3535	19.69	19.41	3535	5C	8 1/2	18 1/8	2 1/4	3	3/4	3/4	-	10.30
10L240.3535	24.80	24.53	3535	5C	8 1/2	23 1/4	2 1/4	3	7/8	3/4	-	13.14

Standard Bore Dimensions of Taper-Lock® Bushings

Bushing	Stock Bores																												
	11/16	3/4	13/16	7/8	15/16	1	1 1/16	1 1/8	1 3/16	1 1/4	1 5/16	1 3/8	1 7/16	1 1/2	1 9/16	1 5/8	1 11/16	1 3/4	1 13/16	1 7/8	1 15/16	2	2 13/16	2 3/8	2 9/16	2 3/4	2 15/16		
1310	●	●	●	●	●	●	●	●	●	●	●	●																	
1610	●	●	●	●	●	●	●	●	●	●	●	●	●	●	●	●	●	●	●	△									
2012			●	●	●	●	●	●	●	●	●	●	●	●	●	●	●	●	●	●	●	●							
2517					●	●	●	●	●	●	●	●	●	●	●	●	●	●	●	●	●	●	●	●	●	●	●	●	●
3020								●	●	●	●	●	●	●	●	●	●	●	●	●	●	●	●	●	●	●	●	●	●

American Standard ANSI (Inch) Poly-V Sheaves L-Profile



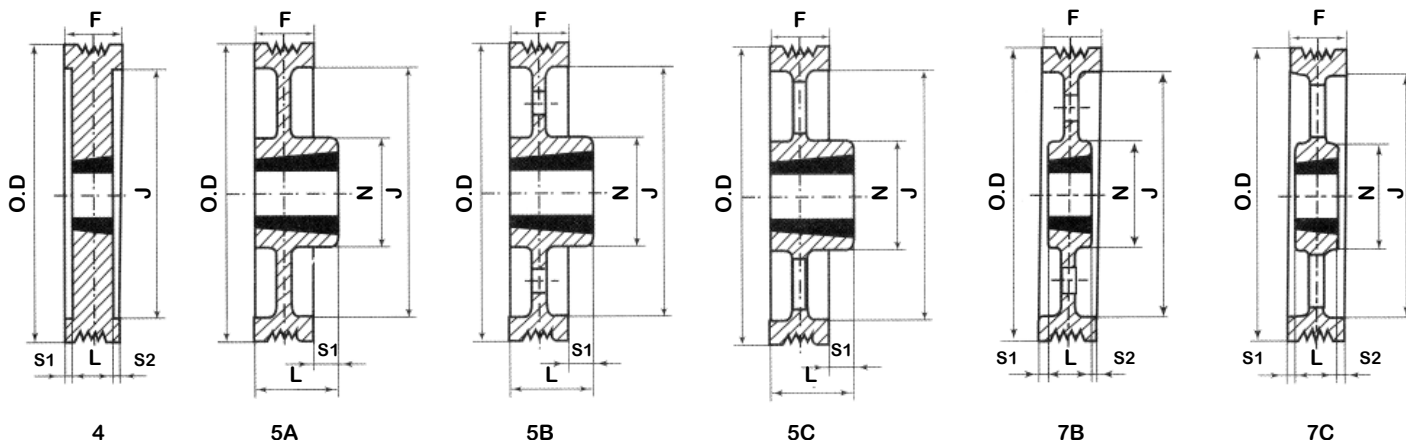
L-12

Part No.	P.D	O.D.	Bush	Type	N	J	F	L	E	S1	S2	Wt lbs
12L30.1215	2.95	2.68	1215	3A	-	1 13/16	2 5/8	7/8	-	-	1 3/4	0.40
12L32.1215	3.15	2.87	1215	3A	-	2 5/16	2 5/8	1	-	-	1 5/8	0.46
12L34.1215	3.35	3.07	1215	3A	-	2 5/16	2 5/8	1	-	-	1 5/8	0.47
12L36.1615	3.54	3.27	1615	3A	-	2 11/16	2 5/8	1 1/2	-	-	1 1/8	0.52
12L38.1615	3.74	3.46	1615	3A	-	2 3/4	2 5/8	1 1/2	-	-	1 1/8	0.62
12L40.2012	3.94	3.66	2012	3A	-	2 13/16	2 5/8	1 1/2	-	-	1 1/8	0.56
12L42.2012	4.17	3.90	2012	3A	-	2 7/8	2 5/8	1 1/2	-	-	1 1/8	0.72
12L44.2012	4.41	4.13	2012	4	-	3 1/8	2 5/8	1 1/4	-	11/16	11/16	1.20
12L46.2517	4.65	4.37	2517	4	-	3 1/2	2 5/8	1 1/4	-	11/16	11/16	0.92
12L50.2517	4.92	4.65	2517	4	-	3 9/16	2 5/8	1 1/4	-	11/16	11/16	1.00
12L52.2517	5.20	4.92	2517	4	-	4 1/8	2 5/8	1 3/4	-	7/16	7/16	1.12
12L56.2517	5.51	5.24	2517	4	-	4 5/16	2 5/8	1 3/4	-	7/16	7/16	1.36
12L64.2517	6.30	6.02	2517	4	-	4 15/16	2 5/8	1 3/4	-	7/16	7/16	1.96
12L70.2517	7.09	6.81	2517	4	-	5 11/16	2 5/8	1 3/4	-	7/16	7/16	2.48
12L78.3020	7.87	7.60	3020	4	-	6 9/16	2 5/8	1 3/4	-	7/16	7/16	2.60
12L88.3020	8.82	8.54	3020	5A	4 15/16	7 1/2	2 5/8	3	9/16	3/8	-	3.00
12L100.3020	9.84	9.57	3020	5A	4 15/16	8 9/16	2 5/8	3	9/16	3/8	-	3.19
12L110.3020	11.02	10.75	3020	5B	5 3/4	9 3/4	2 5/8	3	5/8	3/8	-	3.51
12L120.3535	12.40	12.13	3535	5B	5 3/4	9 11/16	2 5/8	3	5/8	3/8	-	4.31
12L140.3535	13.98	13.70	3535	5C	6 5/8	12 7/16	2 5/8	3 1/2	13/16	7/8	-	5.07
12L160.3535	15.75	15.47	3535	5C	6 5/8	14 3/16	2 5/8	3 1/2	13/16	7/8	-	5.31
12L180.3535	17.72	17.44	3535	5C	6 5/8	16 3/16	2 5/8	3 1/2	7/8	7/8	-	7.59
12L200.3535	19.69	19.41	3535	5C	8 1/2	18 1/8	2 5/8	3	7/8	3/8	-	7.99
12L240.3535	24.80	24.53	3535	5C	8 1/2	23 1/4	2 5/8	3	1	3/8	-	11.98

Standard Bore Dimensions of Taper-Lock® Bushings

Bushing	Stock Bores																												
	11/16	3/4	13/16	7/8	15/16	1	1 1/16	1 1/8	1 3/16	1 1/4	1 5/16	1 3/8	1 7/16	1 1/2	1 9/16	1 5/8	1 11/16	1 3/4	1 13/16	1 7/8	1 15/16	2	2 13/16	2 3/8	2 9/16	2 3/4	2 15/16		
1310	●	●	●	●	●	●	●	●	●	●	●	●																	
1610	●	●	●	●	●	●	●	●	●	●	●	●	●	●	●	●	●	●	●	△									
2012			●	●	●	●	●	●	●	●	●	●	●	●	●	●	●	●	●	●	●	●	●						
2517				●	●	●	●	●	●	●	●	●	●	●	●	●	●	●	●	●	●	●	●	●	●	●	●	●	●
3020							●	●	●	●	●	●	●	●	●	●	●	●	●	●	●	●	●	●	●	●	●	●	●

American Standard ANSI (Inch) Poly-V Sheaves L-Profile



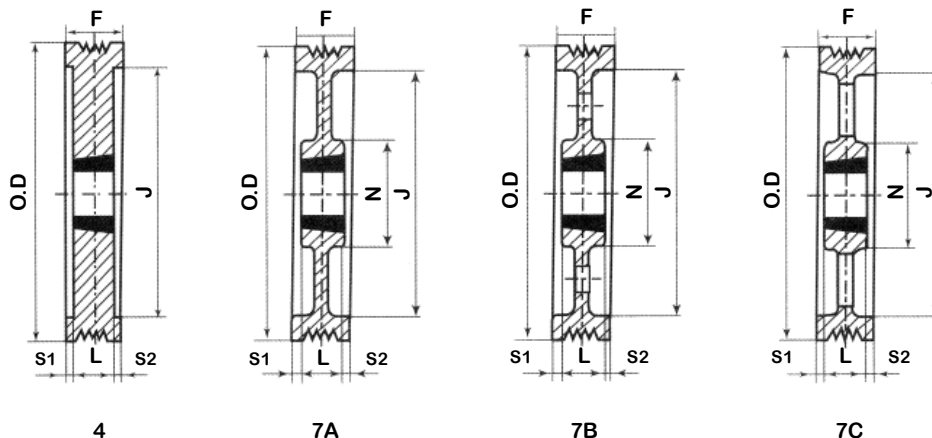
L-16

Part No.	P.D	O.D.	Bush	Type	N	J	F	L	E	S1	S2	Wt lbs
16L34.1215	3.35	3.07	1215	4	-	2 11/16	3 3/8	1 1/2	-	15/16	15/16	0.48
16L36.1615	3.54	3.27	1615	4	-	2 11/16	3 3/8	1 1/2	-	15/16	15/16	0.64
16L38.1615	3.74	3.46	1615	4	-	2 3/4	3 3/8	1 1/2	-	15/16	15/16	0.68
16L40.2012	3.94	3.66	2012	4	-	2 13/16	3 3/8	1 1/2	-	15/16	15/16	0.72
16L42.2517	4.17	3.90	2517	4	-	2 7/8	3 3/8	1 1/2	-	15/16	15/16	0.92
16L44.2012	4.41	4.13	2012	4	-	3 1/8	3 3/8	1 1/4	-	1 1/16	1 1/16	1.00
16L46.2517	4.65	4.37	2517	4	-	3 1/2	3 3/8	1 1/4	-	1 1/16	1 1/16	1.04
16L50.2517	4.92	4.65	2517	4	-	3 1/2	3 3/8	1 1/4	-	1 1/16	1 1/16	1.12
16L52.2517	5.20	4.92	2517	4	-	4 1/8	3 3/8	1 3/4	-	13/16	13/16	1.28
16L56.2517	5.51	5.24	2517	4	-	4 5/16	3 3/8	1 3/4	-	13/16	13/16	1.64
16L64.3020	6.30	6.02	3020	4	-	4 7/8	3 3/8	1 3/4	-	13/16	13/16	2.20
16L70.3020	7.09	6.81	3020	4	-	5 11/16	3 3/8	1 3/4	-	13/16	13/16	2.96
16L78.3020	7.87	7.60	3020	4	-	6 9/16	3 3/8	1 3/4	-	1 3/16	1 3/16	3.75
16L88.3020	8.82	8.54	3020	7B	4 15/16	7 1/2	3 3/8	3	13/16	3/8	-	4.27
16L100.3020	9.84	9.57	3020	7B	4 15/16	8 9/16	3 3/8	3	13/16	3/8	-	4.79
16L110.3535	11.02	10.75	3535	7B	5 11/16	9 3/4	3 3/8	3	7/8	3/8	-	4.87
16L120.3535	12.40	12.13	3535	7B	6 5/8	11	3 3/8	3 1/2	7/8	5/8	5/8	5.51
16L140.3535	13.98	13.70	3535	7C	6 5/8	12 7/16	3 3/8	3 1/2	1	5/8	5/8	7.67
16L160.3535	15.75	15.47	3535	7C	6 5/8	14 3/16	3 3/8	3 1/2	1	5/8	5/8	7.67
16L180.3535	17.72	17.44	3535	5C	8 1/2	16 3/16	3 3/8	4	1	5/8	-	8.79
16L200.3535	19.69	19.41	3535	5C	8 1/2	18 1/8	3 3/8	4	1 1/8	5/8	-	11.26
16L7240.4040	24.80	24.53	4040	5C	8 1/2	23 1/4	3 3/8	4	1 1/8	5/8	-	14.10

Standard Bore Dimensions of Taper-Lock® Bushings

Bushing	Stock Bores																												
	11/16	3/4	13/16	7/8	15/16	1	1 1/16	1 1/8	1 3/16	1 1/4	1 5/16	1 3/8	1 7/16	1 1/2	1 9/16	1 5/8	1 11/16	1 3/4	1 13/16	1 7/8	1 15/16	2	2 13/16	2 3/8	2 9/16	2 3/4	2 15/16		
1310	●	●	●	●	●	●	●	●	●	●	●	●																	
1610	●	●	●	●	●	●	●	●	●	●	●	●	●	●	●	●	●	●	●	△									
2012			●	●	●	●	●	●	●	●	●	●	●	●	●	●	●	●	●	●	●	●	●						
2517				●	●	●	●	●	●	●	●	●	●	●	●	●	●	●	●	●	●	●	●	●	●	●	●	●	●
3020							●	●	●	●	●	●	●	●	●	●	●	●	●	●	●	●	●	●	●	●	●	●	●

American Standard ANSI (Inch) Poly-V Sheaves L-Profile



L-20

Part No.	P.D.	O.D.	Bush	Type	N	J	F	L	E	S1	S2	Wt lbs
20L52.2517	5.20	4.92	2517	4	-	4 1/8	4 1/8	1 3/4	-	1 3/16	1 3/16	1.60
20L56.2517	5.51	5.24	2517	4	-	4 5/16	4 1/8	1 3/4	-	1 3/16	1 3/16	1.76
20L64.3020	6.30	6.02	3020	4	-	4 15/16	4 1/8	1 3/4	-	1 3/16	1 3/16	2.32
20L70.3020	7.09	6.81	3020	4	-	5 11/16	4 1/8	1 3/4	-	1 3/16	1 3/16	3.19
20L78.3535	7.87	7.60	3535	4	-	6 9/16	4 1/8	3	-	1 3/16	1 3/16	4.39
20L88.3535	8.82	8.54	3535	7A	4 15/16	7 1/2	4 1/8	3	3/4	9/16	9/16	6.15
20L100.3535	9.84	9.57	3535	7A	4 15/16	8 9/16	4 1/8	3	3/4	9/16	9/16	8.39
20L110.3535	11.02	10.75	3535	7B	6 5/8	9 3/4	4 1/8	3 1/2	7/8	-	5/8	9.11
20L120.4040	12.40	12.13	4040	7B	6 5/8	10 7/8	4 1/8	3 1/2	7/8	-	5/8	10.22
20L140.4040	13.98	13.70	4040	7C	6 5/8	12 7/16	4 1/8	3 1/2	1 1/8	-	5/8	11.26
20L160.4040	15.75	15.47	4040	7C	8 1/2	14 3/16	4 1/8	4	1 1/8	-	1/8	11.90
20L180.4040	17.72	17.44	4040	7C	8 1/2	16 3/16	4 1/8	4	1 3/16	-	1/8	14.22
20L200.5050	19.69	19.41	5050	7C	8 1/2	18 1/8	4 1/8	4	1 3/16	-	1/8	15.02
1207240.5050	24.80	24.53	5050	7C	8 1/2	23 1/4	4 1/8	4	1 3/16	-	1/8	21.17

Standard Bore Dimensions of Taper-Lock® Bushings

Bushing	Stock Bores																											
	11/16	3/4	13/16	7/8	15/16	1	1 1/16	1 1/8	1 3/16	1 1/4	1 5/16	1 3/8	1 7/16	1 1/2	1 9/16	1 5/8	1 11/16	1 3/4	1 13/16	1 7/8	1 15/16	2	2 13/16	2 3/8	2 9/16	2 3/4	2 15/16	
1310	●	●	●	●	●	●	●	●	●	●	●	●																
1610	●	●	●	●	●	●	●	●	●	●	●	●	●	●	●	●	●	●	△									
2012			●	●	●	●	●	●	●	●	●	●	●	●	●	●	●	●	●	●	●	●						
2517					●	●	●	●	●	●	●	●	●	●	●	●	●	●	●	●	●	●	●	●	●	●	●	●
3020								●	●	●	●	●	●	●	●	●	●	●	●	●	●	●	●	●	●	●	●	●