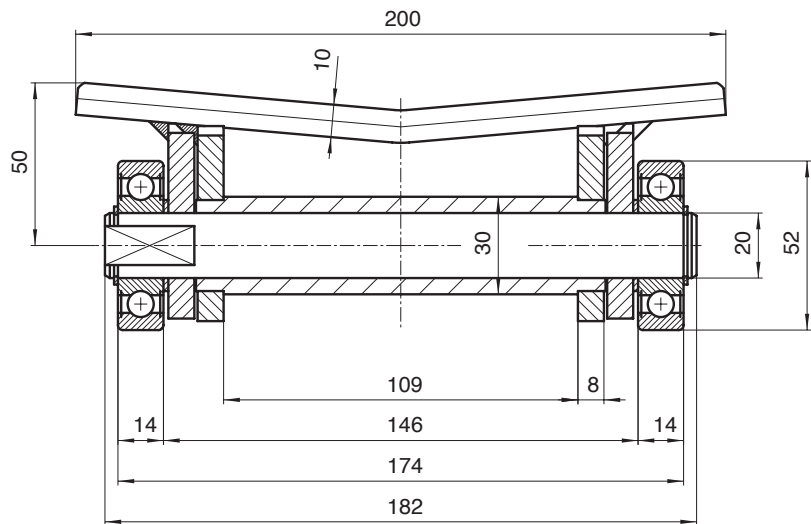
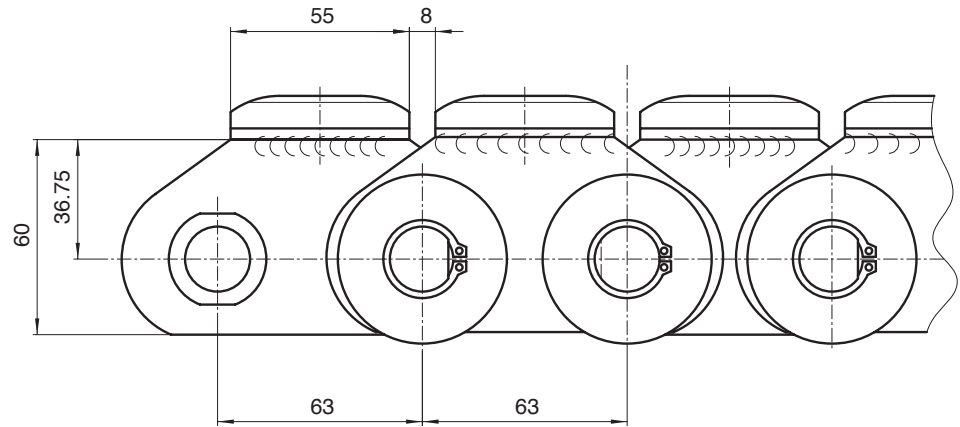


CHAINS FOR SPECIAL APPLICATIONS – PAPER INDUSTRY



ROLL HANDLING SYSTEM

W3763 - W3763A - W3763B - W4132L

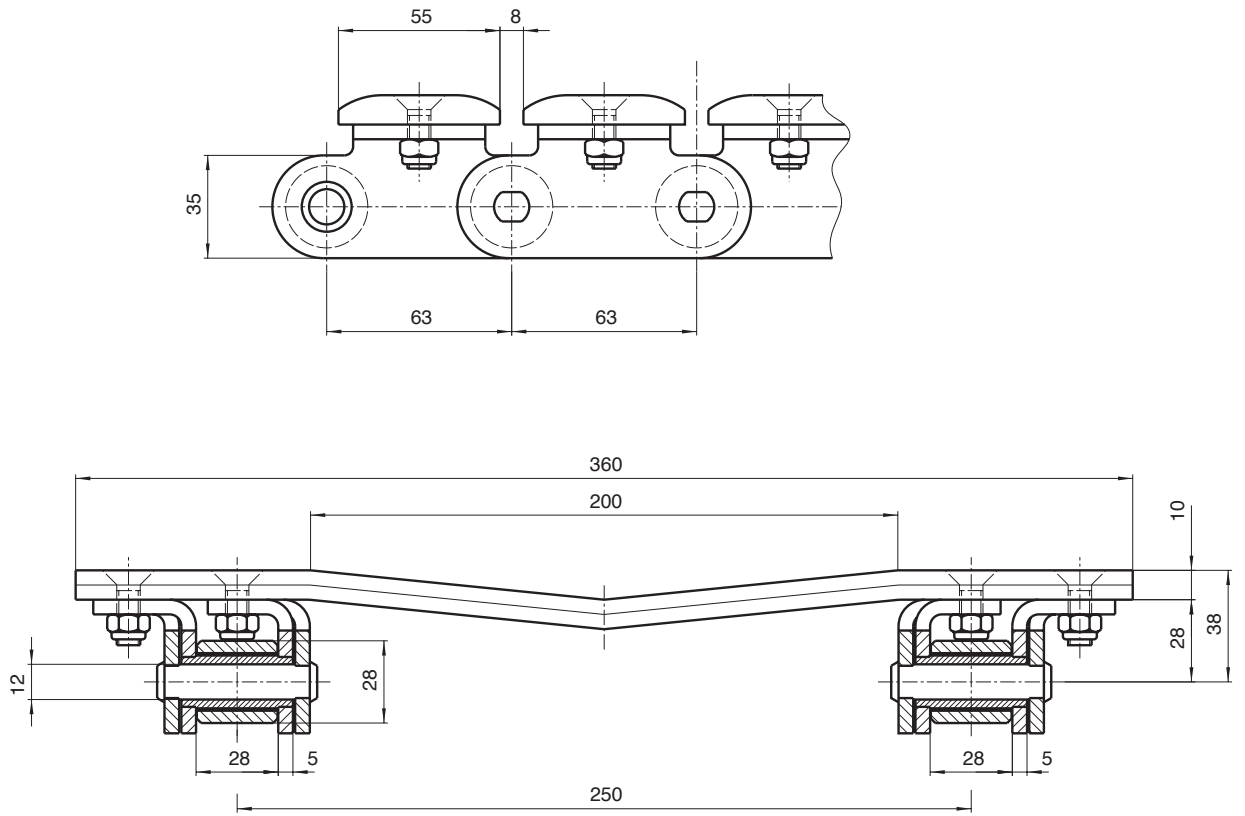
Chain P. 63x109x30 øB



Breaking load: 210.000 N

Outboard ball bearings, both sides

CHAINS FOR SPECIAL APPLICATIONS – PAPER INDUSTRY



ROLL HANDLING SYSTEM

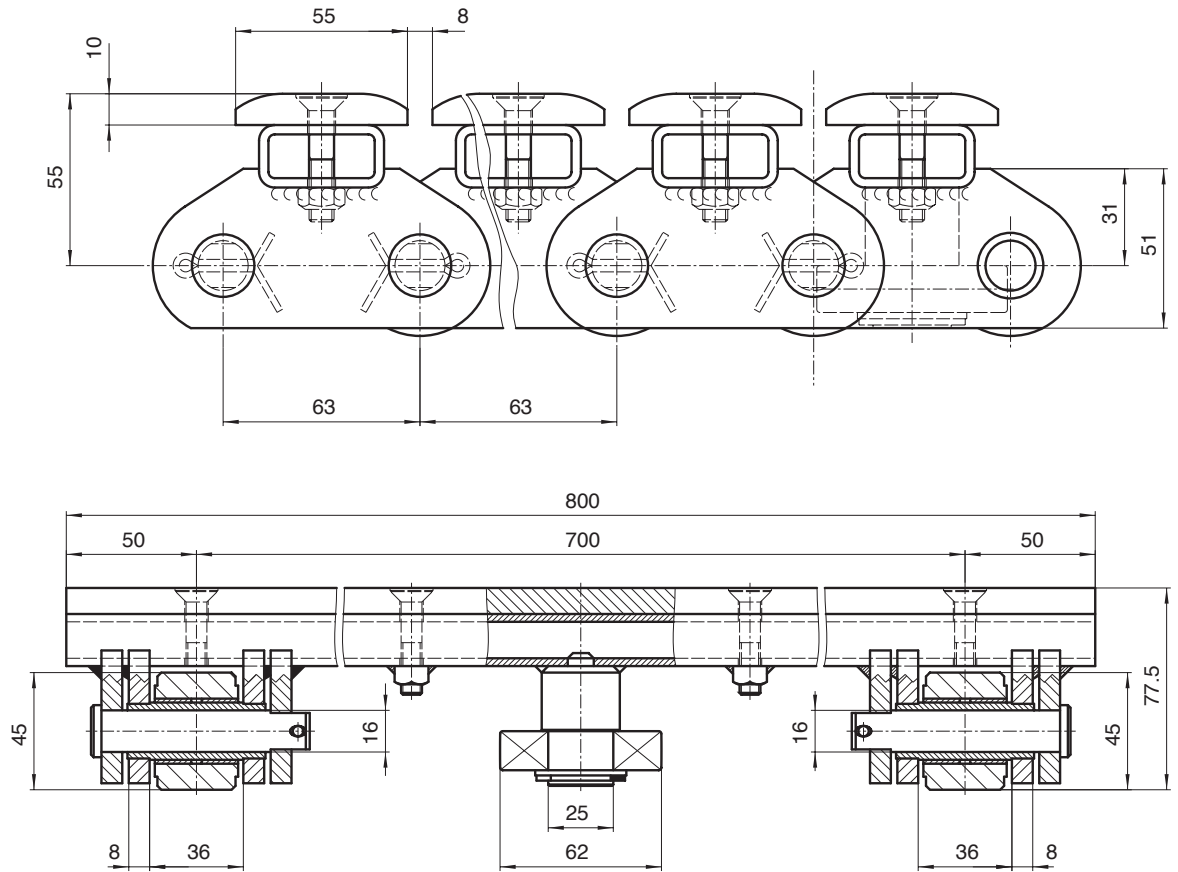
W4927

Chain P. 63x28x28 øR



Breaking load: 80.000 N (each chain)

CHAINS FOR SPECIAL APPLICATIONS – PAPER INDUSTRY



ROLL HANDLING  
 SYSTEM

W4476

Chain P. 63x36x45 øR



Breaking load: 120.000 N (each chain)