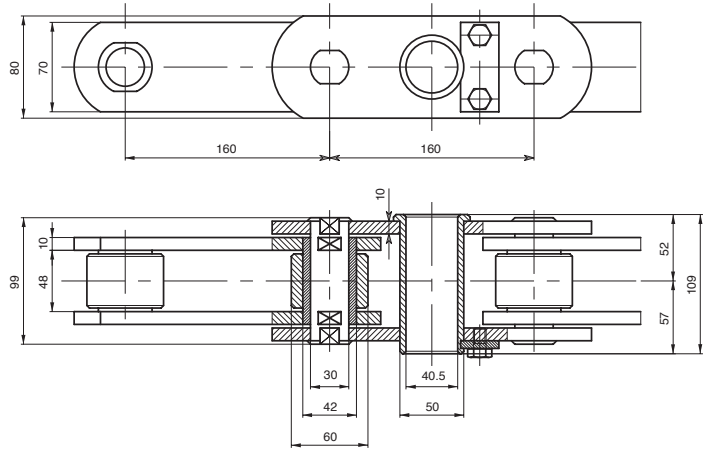
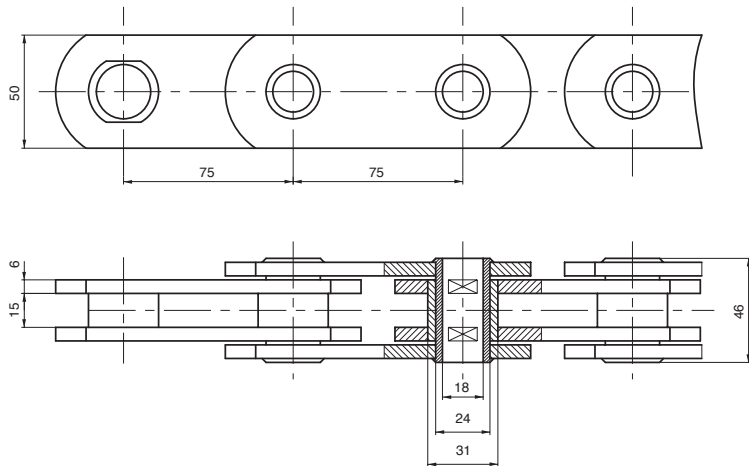


**CHAINS FOR SPECIAL APPLICATIONS – ELEVATOR (PATERNOSTER)**



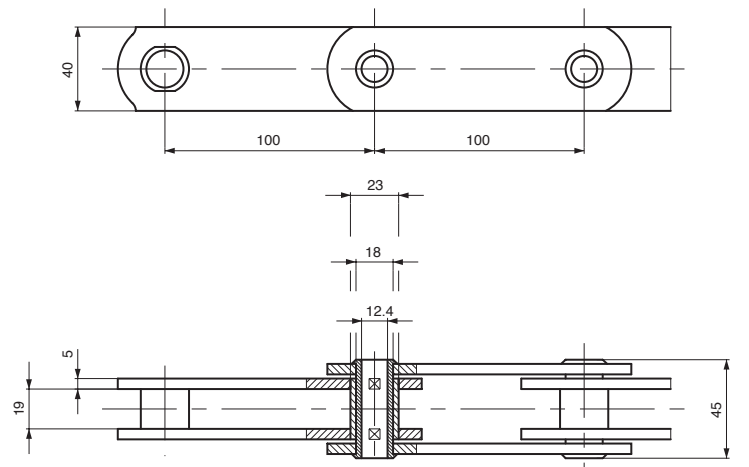
Chain P. 160x48x60 øR

 Breaking load: 520.000 N



Chain P. 75x15x31 øB

 Breaking load: 120.000 N



Chain P. 100x19x23 øB

 Breaking load: 100.000 N