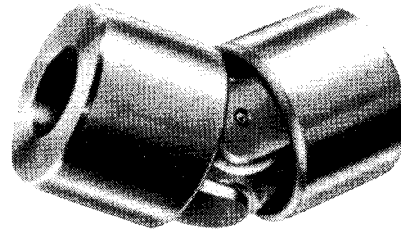
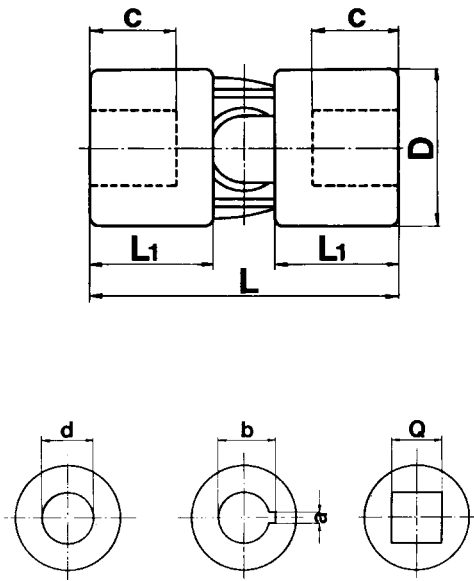


# Universal Joints



## Single Universal Joint with Bore

Part No.	Bore $\varnothing d$	Outside Diameter $\varnothing D$	Length L	Bore Depth C		Keyway		Square Hole Q	Weight kg
						a	b		
S6X16	6	16	34	9	17			6	0.05
S8X18	8	18	40	11	20			8	0.06
S10X22	10	22	48	14	24	3	11.4	10	0.10
S12X26	12	26	56	16	28	4	13.8	12	0.15
S14X29	14	29	60	17	30	5	16.3	14	0.20
S16X32	16	32	68	20	34	5	18.3	16	0.30
S18X37	18	37	74	21	37	6	20.8	18	0.45
S20X42	20	42	82	23	41	6	22.8	20	0.67
S22X47	22	47	95	25	47.5	6	24.8	22	1.00
S25X52	25	52	108	29	54	8	28.3	25	1.35
S30X58	30	58	122	34	61	8	33.3	30	1.85
S35X70	35	70	140	35	70	10	38.3	35	3.15
S40X80	40	80	160	40	80	12	43.3	40	4.60
S50X95	50	95	190	50	95	14	53.8	50	7.60

Central block and forks from one piece of Nickel Chrome steel cemented and hardened HRC  $\geq 60$ , R  $\geq 200$  kg/mm<sup>2</sup>. High wear resistance, long life. Pre-lubricated. Greaser built-in. Maximum angle: 45° type "S", 90° type "D". Maximum speed 1000 rpm. Special executions on request.

Stainless steel available upon special request through Special Products Dept.

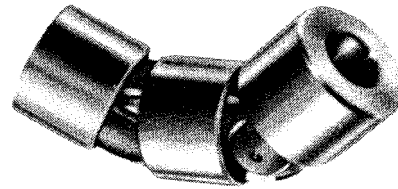
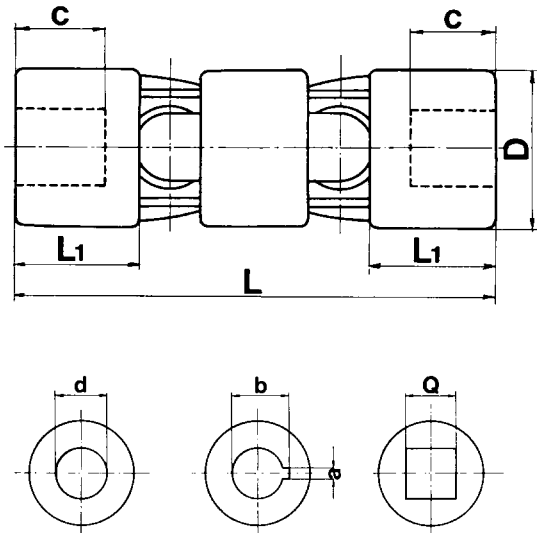
### Ordering examples:

S6X16  
S = Single Universal Joint  
6 =  $\varnothing 6$  mm diameter bore  
16 =  $\varnothing 16$  mm outside diameter

S10X22X3  
S = Single Universal Joint  
10 =  $\varnothing 10$  mm diameter bore  
22 =  $\varnothing 22$  mm outside diameter  
3 = 3 mm keyway

SQ10X22  
S = Single Universal Joint  
Q10 = 10 mm square hole  
22 =  $\varnothing 22$  mm outside diameter  
(request price)

# Universal Joints



## Double Universal Joint with Bore

Part No.	Bore $\varnothing d$	Outside Diameter $\varnothing D$	Length L	Bore Depth C	L1	Keyway		Square Hole Q	Weight kg
						a	b		
D12X25	12	25	86	13	28	4	13.8	12	0.25
D14X28	14	28	96	13	30	5	16.3	14	0.40
D16X32	16	32	104	16	34	5	18.3	16	0.45
D18X36	18	36	114	17	37	6	20.8	18	0.70
D20X42	20	42	128	18	41	6	22.8	20	1.00
D22X45	22	45	145	22	47.5	6	24.8	22	1.55
D25X50	25	50	163	26	54	8	28.3	25	2.00
D30X58	30	58	190	29	61	8	33.3	30	2.90
D35X70	35	70	212	35	70	10	38.3	35	4.75
D40X80	40	80	245	40	80	12	43.3	40	7.20
D50X95	50	95	290	50	95	14	53.8	50	12.00

Central block and forks from one piece of Nickel Chrome steel cemented and hardened HRC  $\geq 60$ , R  $\geq 200$  kg/mm<sup>2</sup>. High wear resistance, long life. Pre-lubricated. Greaser built-in. Maximum angle: 45° type "S", 90° type "D". Maximum speed 1000 rpm. Special executions on request.

Stainless steel available upon special request through Special Products Dept.

### Ordering examples:

D12X26

D = Double Universal Joint

12 =  $\varnothing 12$  mm diameter bore

26 =  $\varnothing 26$  mm outside diameter

D12X26X4

D = Double Universal Joint

12 =  $\varnothing 12$  mm diameter bore

26 =  $\varnothing 26$  mm outside diameter

4 = 4 mm keyway

DQ12X26

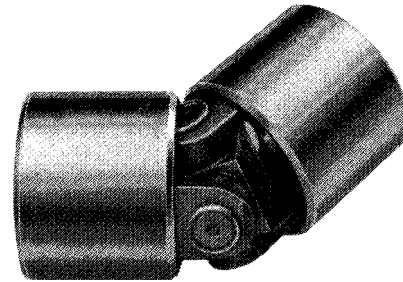
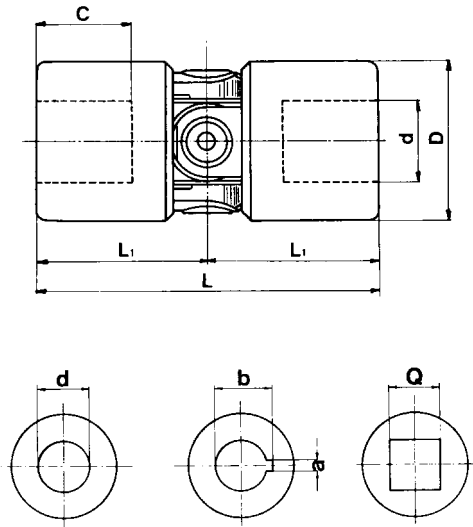
D = Double Universal Joint

Q12 = 12 mm square hole

26 =  $\varnothing 26$  mm outside diameter

(request price)

# Universal Joints



## Single High Speed Universal Joint with Bore

Part No.	Bore $\varnothing d$	Outside Diameter $\varnothing D$	Length L	Bore Depth C	L1	Keyway		Square Hole Q	Weight kg
						a	b		
SHS10X22	10	22							
SHS12X26	12	26	56	14	28	4	13.8	12	0.15
SHS14X29	14	29	60	16	30	5	16.3	14	0.20
SHS16X32	16	32	68	18	34	5	18.3	16	0.30
SHS18X37	18	37	74	20	37	6	20.8	18	0.45
SHS20X42	20	42	82	18	41	6	22.8	20	0.60
SHS22X47	22	47	95	23	47.5	6	24.8	22	1.00
SHS25X50	25	50	108	26	54	8	28.3	25	1.20
SHS30X58	30	58	122	29	61	8	33.3	30	1.85

Central block and forks from one piece of Nickel Chrome steel cemented and hardened HRC  $\geq 60$ , R  $\geq 200$  kg/mm<sup>2</sup>. High wear resistance, long life. Pre-lubricated. Greaser built-in. Maximum angle: 45° type "S", 90° type "D". Maximum speed 1000 rpm. Special executions on request.

Stainless steel available upon special request through Special Products Dept.

### Ordering examples:

SHS12X26

S = Single Universal Joint

HS = High speed

12 =  $\varnothing 12$  mm diameter bore

26 =  $\varnothing 26$  mm outside diameter

SHS12X26X4

S = Single Universal Joint

HS = High speed

12 =  $\varnothing 12$  mm diameter bore

26 =  $\varnothing 26$  mm outside diameter

4 = 4 mm keyway

SHSQ12X26

S = Single Universal Joint

HS = High speed

Q12 = 12 mm square hole

26 =  $\varnothing 26$  mm outside diameter

(request price)

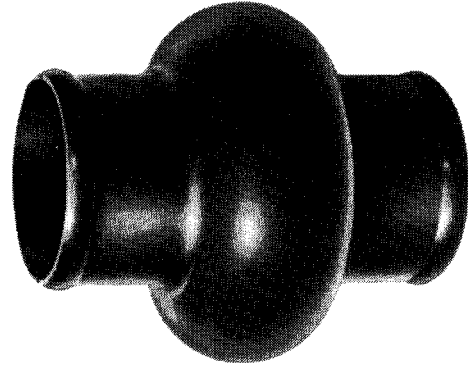
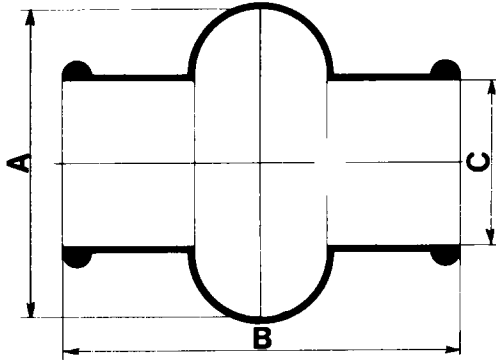


American Metric® Corporation

GROUP: 052

1-052 - 00225

# Universal Joints



## Universal Joint Boots

Part No.	For Joint Numbers	Outside Diameter Ø A	Length B	Opening Ø C
B15	S6X16	28	34	15
B16.5	S8X18	32	40	16.5
B20.5	S10X22 • S10X22X3	40	45	20.5
B24.5	S12X26 • S12X26X4 • SHS12X26 • SHS12X26X4	48	50	24.5
B27.5	S14X29 • S14X29X4 • SHS14X29 • SHS14X29X4	52	56	27.5
B30.5	S16X32 • S16X32X5 • SHS16X32 • SHS16X32X5	56	65	30.5
B35.5	S18X37 • S18X37X6 • SHS18X37 • SHS18X37X6	66	72	35.5
B40	S20X42 • S20X42X6 • SHS20X42 • SHS20X42X6	75	82	40
B45	S22X47 • S22X47X6	84	95	45
B50	S25X52 • S25X52X8 • SHS25X52 • SHS25X52X8	92	108	50
B56	S30X58 • S30X58X8 • SHS30X58X8 • SHS30X58X8	100	122	56

Special neoprene rubber. Resistant to: acids, oils, greases, dust, and moisture. Filled with grease, ensure constant lubrication.

### Ordering example:

B15

B = Boot

15 = Ø15 mm diameter opening