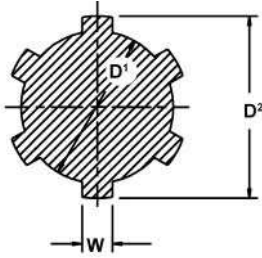


Splines To DIN 5463

SPLINE SHAFTING

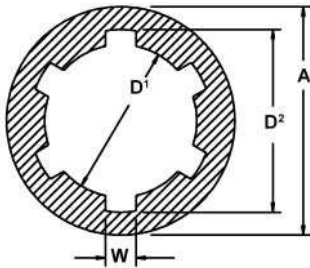
MATERIAL: AISI C 1045



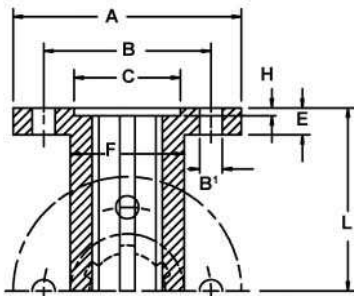
PART NO.	PROFILE	SPLINES	ØD ²	ØD ¹	W	kg/m
KS 11	KN 11 x 14	6	14	11	3	0.95
KS 13	KN 13 x 16	6	16	13	3.5	1.29
KS 16	KN 16 x 20	6	20	16	4	1.91
KS 18	KN 18 x 22	6	22	18	5	2.45
KS 21	KN 21 x 25	6	25	21	5	3.24
KS 23	KN 23 x 28	6	28	23	6	3.96
KS 26	KN 26 x 32	6	32	26	6	5.01
KS 28	KN 28 x 34	6	34	28	7	5.82
KS 32	KN 32 x 38	8	38	32	6	7.43
KS 36	KN 36 x 42	8	42	36	7	9.30
KS 42	KN 42 x 48	8	48	42	8	12.34
KS 46	KN 46 x 54	8	54	46	9	15.30

SPLINE SLEEVE

MATERIAL: AISI C 1045



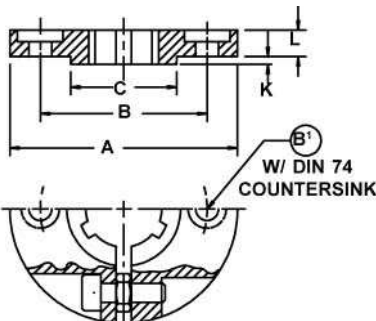
PART NO.	PROFILE	SPLINES	ØD ²	ØD ¹	W	ØA	LENGTH
KV 11 X14 X20	KN 11 x 14	6	14	11	3	20	40
KV 11 X14 X30	KN 11 x 14	6	14	11	3	30	40
KV 13 X16 X28	KN 13 x 16	6	16	13	3.5	28	45
KV 13 X16 X35	KN 13 x 16	6	16	13	3.5	35	40
KV 16 X20 X32	KN 16 x 20	6	20	16	4	32	45
KV 16 X20 X40	KN 16 x 20	6	20	16	4	40	40
KV 18 X22 X42	KN 18 x 22	6	22	18	5	42	40
KV 21 X25 X38	KN 21 x 25	6	25	21	5	38	60
KV 21 X25 X40	KN 21 x 25	6	25	21	5	40	55
KV 21 X25 X45	KN 21 x 25	6	25	21	5	45	40
KV 23 X28 X50	KN 23 x 28	6	28	23	6	50	60
KV 26 X32 X52	KN 26 x 32	6	32	26	6	52	60
KV 26 X32 X60	KN 26 x 32	6	32	26	6	60	60
KV 28 X34 X70	KN 28 x 34	6	34	28	7	70	60
KV 32 X38 X60	KN 32 x 38	8	38	32	6	60	60
KV 32 X38 X75	KN 32 x 38	8	38	32	6	75	60
KV 36 X42 X80	KN 36 x 42	8	42	36	7	80	60
KV 42 X48 X65	KN 42 x 48	8	48	42	8	65	70
KV 42 X48 X80	KN 42 x 48	8	48	42	8	80	70
KV 42 X48 X90	KN 42 x 48	8	48	42	8	90	60
KV 46 X54 X90	KN 46 x 54	8	54	46	9	90	60



SPLINE BUSHING, TYPE B

MATERIAL: AISI C 1045

PART NO.	PROFILE	ØA	ØB	ØB ¹	ØC ^{H7}	ØF ^{H8}	E	H	L
KB 11	KN 11 x 14	42	28	4.3	20	20	8	3	35
KB 13	KN 13 x 16	50	36	4.3	22	25	8	3	40
KB 16	KN 16 x 20	52	38	5.3	25	28	10	3	40
KB 21	KN 21 x 25	62	48	6.4	35	34	10	3.5	50
KB 26	KN 26 x 32	70	56	6.4	40	42	10	3.5	60
KB 32	KN 32 x 38	80	65	8.5	50	50	12	3.5	60
KB 42	KN 42 x 48	95	75	10.5	60	60	16	4	80



SPLINE SPLIT COLLAR

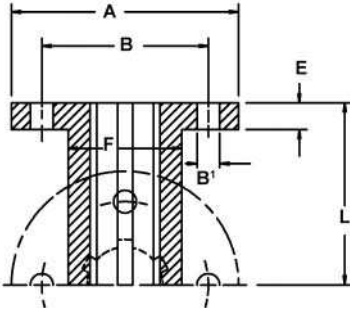
MATERIAL: AISI C 1045

PART NO.	PROFILE	ØA	ØB	ØB ¹	ØC ^{H7}	L	K
KC 11	KN 11 x 14	42	28	4.3	20	12	2
KC 13	KN 13 x 16	50	36	4.3	22	12	2
KC 16	KN 16 x 20	52	38	5.3	25	14	2
KC 21	KN 21 x 25	62	48	6.4	35	14	3
KC 26	KN 26 x 32	70	56	6.4	40	15	3
KC 32	KN 32 x 38	80	65	8.5	50	18	3
KC 42	KN 42 x 48	95	75	10.5	60	22	3

Splines To DIN 5463

SPLINE BUSHING, TYPE F

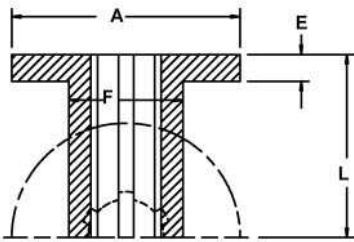
MATERIAL: AISI C 1045



PART NO.	PROFILE	ØA	ØB	ØB ¹	E	ØF ^{h7}	L
KF 11	KN 11 x 14	41	30	4.3	8	22	30
KF 13	KN 13 x 16	43	32	4.3	8	24	30
KF 16	KN 16 x 20	52	38	5.3	9	28	40
KF 18	KN 18 x 22	60	46	5.3	9	32	50
KF 21	KN 21 x 25	62	48	6.4	10	34	50
KF 23	KN 23 x 28	68	54	6.4	10	40	60
KF 26	KN 26 x 32	70	56	6.4	10	42	60
KF 28	KN 28 x 34	78	63	8.4	12	48	70
KF 32	KN 32 x 38	80	65	8.4	12	50	70
KF 36	KN 36 x 42	93	73	8.4	14	58	80
KF 42	KN 42 x 48	95	75	10.5	16	60	80
KF 46	KN 46 x 54	99	80	10.5	16	65	80

SPLINE BUSHING, BLANK

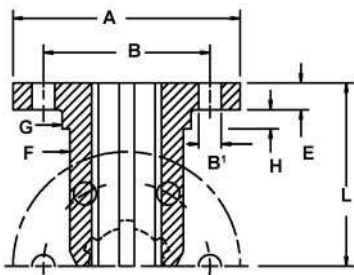
MATERIAL: AISI C 1045



PART NO.	PROFILE	ØA	ØB	ØB ¹	E	ØF ^{h7}	L
KG 11	KN 11 x 14	41			8	22	30
KG 13	KN 13 x 16	43			8	24	30
KG 16	KN 16 x 20	52			9	28	40
KG 18	KN 18 x 22	60			9	32	50
KG 21	KN 21 x 25	62			10	34	50
KG 23	KN 23 x 28	68			10	40	60
KG 26	KN 26 x 32	70			10	42	60
KG 28	KN 28 x 34	78			12	48	70
KG 32	KN 32 x 38	80			12	50	70
KG 36	KN 36 x 42	93			14	58	80
KG 42	KN 42 x 48	95			16	60	80
KG 46	KN 46 x 54	99			16	65	80

BRONZE SPLINE BUSHING

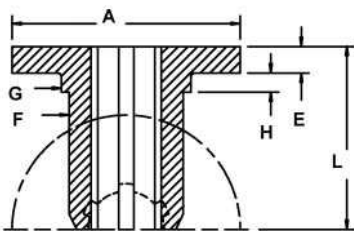
MATERIAL: PHOSPHER-BRONZE



PART NO.	PROFILE	ØA	ØB	ØB ¹	E	ØF ^{h7}	ØG ^{h7}	H	L
KF 11B	KN 11 x 14	43	32	4.3	10	23.8	24	6	35
KF 13B	KN 13 x 16	43	32	4.3	10	23.8	24	8	35
KF 16B	KN 16 x 20	48	38	5.3	12	27.8	28	8	45
KF 18B	KN 18 x 22	55	45	6.4	12	31.8	32	10	45
KF 21B	KN 21 x 25	55	45	6.4	12	31.8	32	10	45
KF 23B	KN 23 x 28	62	50	6.4	14	37.8	38	10	50
KF 26B	KN 26 x 32	62	50	6.4	14	37.8	38	10	50
KF 28B	KN 28 x 34	75	62	8.4	15	47.8	48	11	60
KF 32B	KN 32 x 38	75	62	8.4	15	47.8	48	11	60
KF 36B	KN 36 x 42	95	78	8.4	16	62.8	63	12	80
KF 42B	KN 42 x 48	95	78	8.4	16	62.8	63	12	80
KF 46B	KN 46 x 54	110	90	10.5	18	71.8	72	12	80

BRONZE SPLINE BUSHING, BLANK

MATERIAL: PHOSPHER-BRONZE



PART NO.	PROFILE	ØA	ØB	ØB ¹	E	ØF ^{h7}	ØG ^{h7}	H	L
KG 11B	KN 11 x 14	43			10	23.8	24	6	35
KG 13B	KN 13 x 16	43			10	23.8	24	8	35
KG 16B	KN 16 x 20	48			12	27.8	28	8	45
KG 18B	KN 18 x 22	55			12	31.8	32	10	45
KG 21B	KN 21 x 25	55			12	31.8	32	10	45
KG 23B	KN 23 x 28	62			14	37.8	38	10	50
KG 26B	KN 26 x 32	62			14	37.8	38	10	50
KG 28B	KN 28 x 34	75			15	47.8	48	11	60
KG 32B	KN 32 x 38	75			15	47.8	48	11	60
KG 36B	KN 36 x 42	95			16	62.8	63	12	80
KG 42B	KN 42 x 48	95			16	62.8	63	12	80
KG 46B	KN 46 x 54	110			18	71.8	72	12	80