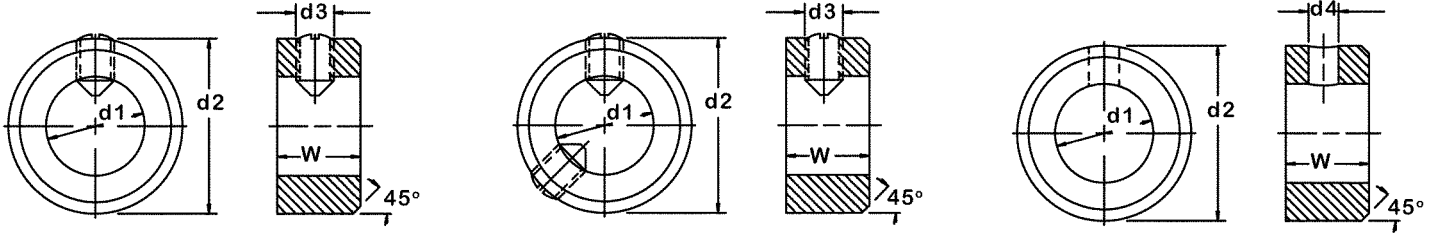


Metric Set Collars

Zinc Plated Steel and Stainless Steel



With Set Screws (DIN 705A)

For Roll Pins (DIN 705B)*2

Dimensions ~DIN 705

Part No.	Inside Diameter d1*1	Outside Diameter d2	Width W	Set Screw d3	Pin Hole*2 d4
2	2.0	6	2.5	M 2x2	0.6
2.5	2.5	7	4.0	M 2x3	0.8
3	3.0	7	5.0	M 2x3	0.8
3.5	3.5	8	5.0	M 2.6x4	1.0
4	4.0	8	5.0	M 2.6x4	1.0
4.5	4.5	10	6.0	M 3x4	1.5
5	5.0	10	6.0	M 3x4	1.5
5.5	5.5	12	6.0	M 4x5	1.5
6	6.0	12	8.0	M 4x5	1.5
7	7.0	12	8.0	M 4x5	1.5
8	8.0	16	8.0	M 4x5	2.0
9	9.0	18	10.0	M 5x8	3.0
10	10.0	20	10.0	M 5x8	3.0
11	11.0	20	10.0	M 5x8	3.0
12	12.0	22	12.0	M 6x8	4.0
13	13.0	22	12.0	M 6x8	4.0
14	14.0	25	12.0	M 6x8	4.0
15	15.0	25	12.0	M 6x8	4.0
16	16.0	28	12.0	M 6x8	4.0
18	18.0	32	14.0	M 6x8	5.0
20	20.0	32	14.0	M 6x8	5.0
22	22.0	36	14.0	M 6x10	5.0
24	24.0	40	16.0	M 8x10	6.0
25	25.0	40	16.0	M 8x10	6.0
26	26.0	40	16.0	M 8x10	6.0
28	28.0	45	16.0	M 8x10	6.0
30	30.0	45	16.0	M 8x10	6.0
32	32.0	50	16.0	M 8x12	8.0
34	34.0	50	16.0	M 8x12	8.0
35	35.0	56	16.0	M 8x12	8.0
36	36.0	56	16.0	M 8x12	8.0
38	38.0	56	16.0	M 8x12	8.0
40	40.0	63	18.0	M 10x16	8.0
42	42.0	63	18.0	M 10x16	8.0
45	45.0	70	18.0	M 10x16	8.0
48	48.0	70	18.0	M 10x16	8.0

Part No.	Inside Diameter d1*1	Outside Diameter d2	Width W	Set Screw d3	Pin Hole*2 d4
50	50.0	80	18.0	M 10x16	10.0
52	52.0	80	18.0	M 10x16	10.0
55	55.0	80	18.0	M 10x16	10.0
56	56.0	80	18.0	M 10x16	10.0
58	58.0	90	20.0	M 10x16	10.0
60	60.0	90	20.0	M 10x16	10.0
63	63.0	90	20.0	M 10x16	10.0
65	65.0	100	20.0	M 10x16	10.0
68	68.0	100	20.0	M 10x16	10.0
70	70.0	100	20.0	M 10x16	10.0
72	72.0	110	22.0	M 12x20	10.0
75	75.0	110	22.0	M 12x20	10.0
80	80.0	110	22.0	M 12x20	10.0
85	85.0	125	22.0	M 12x20	13.0
90	90.0	125	22.0	M 12x20	13.0
95	95.0	140	25.0	M 12x20	13.0
100	100.0	140	25.0	M 12x25	13.0
110	110.0	160	25.0	M 12x25	13.0
120	120.0	160	25.0	M 12x25	13.0
125	125.0	180	28.0	M 16x25	16.0
130	130.0	180	28.0	M 16x25	16.0
140	140.0	200	28.0	M 16x30	16.0
150	150.0	200	28.0	M 16x30	16.0
160	160.0	220	32.0	M 20x35	16.0
170	170.0	250	32.0	M 20x40	16.0
180	180.0	250	32.0	M 20x40	16.0
190	190.0	280	32.0	M 20x45	16.0
200	200.0	280	32.0	M 20x45	16.0

*1 Inside diameter (d1) is bored to E12 DIN/ISO tolerance.
 $d_1 = \text{Ø}2 \text{ TO } \text{Ø}70 \text{ mm (1) Set Screw}$
 $d_1 = \text{Ø}72 \text{ TO } \text{Ø}200 \text{ mm (2) Set Screws}$

*2 Style DIN 705B (for roll pins) is only available by special order.

Black oxide available by special order.

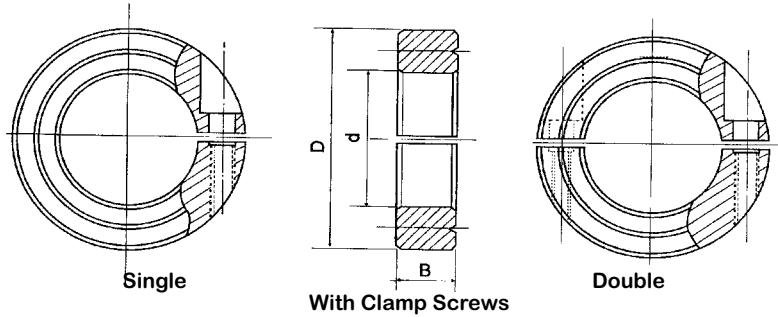
Ordering Examples:

10 = 10 mm zinc plated steel

10 SS = 10 mm stainless steel

Metric Split Set Collars

Zinc Plated Steel and Stainless Steel



Single

Part No.	Bore d	Outside Diameter D	Width B	Threads	Weight (kg)
SSC 3	3	16	9	M 3x8	0.0141
SSC 5	5	20	9	M 3x10	0.0209
SSC 6	6	20	9	M 3x10	0.0203
SSC 8	8	22	9	M 3x10	0.0232
SSC 10	10	25	9	M 3x10	0.0296
SSC 12	12	28	11	M 4x12	0.0422
SSC 15	15	35	13	M 5x16	0.0756
SSC 16	16	35	13	M 5x16	0.0756
SSC 17	17	42	15	M 6x16	0.1224
SSC 18	18	42	15	M 6x16	0.1224
SSC 20	20	42	15	M 6x16	0.1224
SSC 22	22	42	15	M 6x16	0.1224
SSC 24	24	48	15	M 6x16	0.1518
SSC 25	25	48	15	M 6x16	0.1518
SSC 28	28	55	15	M 6x16	0.1922
SSC 30	30	55	15	M 6x16	0.1922
SSC 32	32	60	15	M 6x16	0.2162
SSC 35	35	60	15	M 6x16	0.2162
SSC 38	38	65	15	M 6x16	0.2386
SSC 40	40	65	15	M 6x16	0.2384
SSC 42	42	75	19	M 8x25	0.4123
SSC 45	45	75	19	M 8x25	0.4123
SSC 48	48	80	19	M 8x25	0.4476
SSC 50	50	80	19	M 8x25	0.4476
SSC 55	55	85	19	M 8x25	0.4822
SSC 60	60	90	19	M 8x25	0.553
SSC 65	65	98	23	M 10x30	0.744
SSC 70	70	102	23	M 10x30	0.761
SSC 75	75	108	23	M 10x30	0.836
SSC 80	80	144	23	M 10x30	0.915
SSC 85	85	122	23	M 10x30	0.943
SSC 90	90	122	23	M 10x30	0.943
SSC 95	95	134	23	M 10x30	1.107
SSC 100	100	134	23	M 10x30	1.107

Double

Part No.	Bore d	Outside Diameter D	Width B	Threads	Weight (kg)
DSC 3	3	16	9	M 3x8	0.0137
DSC 5	5	20	9	M 3x10	0.0203
DSC 6	6	20	9	M 3x10	0.0197
DSC 8	8	22	9	M 3x10	0.0226
DSC 10	10	25	9	M 3x10	0.0290
DSC 12	12	28	11	M 4x12	0.0410
DSC 16	16	35	13	M 5x16	0.0731
DSC 20	20	42	15	M 6x16	0.1188
DSC 25	25	48	15	M 6x16	0.1482
DSC 30	30	55	15	M 6x16	0.1886
DSC 35	35	60	15	M 6x16	0.2126
DSC 40	40	65	15	M 6x16	0.2398
DSC 45	45	75	19	M 8x25	0.4023
DSC 50	50	80	19	M 8x25	0.4376
DSC 55	55	85	19	M 8x25	0.4722
DSC 60	60	90	19	M 8x25	0.543
DSC 65	65	98	23	M 10x30	0.725
DSC 70	70	102	23	M 10x30	0.742
DSC 75	75	108	23	M 10x30	0.817
DSC 80	80	144	23	M 10x30	0.896
DSC 90	90	122	23	M 10x30	0.924
DSC 100	100	134	23	M 10x30	1.088

Black oxide available by special order.

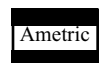
Ordering Examples:

SSC 10 = Single Split 10 mm zinc plated steel

SSC 10 SS = Single Split 10 mm stainless steel

DSC 10 = Double Split 10 mm zinc plated steel

DSC 10 SS = Double Split 10 mm stainless steel

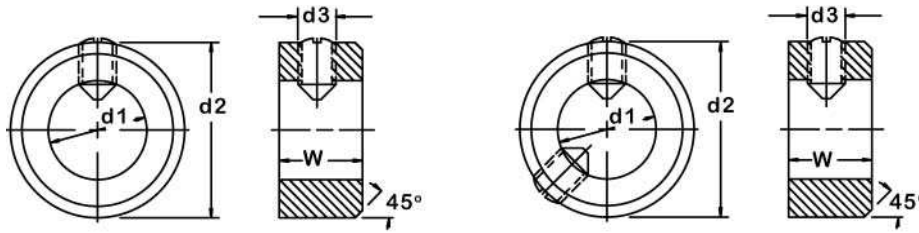


American Metric® Corporation

GROUP: 053

Inch Set Collars

Zinc Plated Steel and Stainless Steel



With Set Screws

Part No.	Inside Diameter d1	Outside Diameter d2	Width W	Set Screw d3
SCIN 1/8	1/8	0.355	0.250	6-32x1/8
SCIN 3/16	3/16	0.418	0.250	8-32x1/8
SCIN 1/4	1/4	0.480	0.281	10-32x1/8
SCIN 5/16	5/16	0.605	0.313	10-32x1/8
SCIN 3/8	3/8	0.730	0.375	1/4-20x3/16
SCIN 7/16	7/16	0.855	0.437	1/4-20x1/4
SCIN 1/2	1/2	0.980	0.437	1/4-20x1/4
SCIN 9/16	9/16	0.980	0.437	1/4-20x1/4
SCIN 5/8	5/8	1.105	0.500	5/16-18x1/4
SCIN 11/16	11/16	1.230	0.562	5/16-18x1/4
SCIN 3/4	3/4	1.230	0.562	5/16-18x1/4
SCIN 13/16	13/16	1.480	0.562	5/16-18x1/4
SCIN 7/8	7/8	1.480	0.562	5/16-18x5/16
SCIN 15/16	15/16	1.605	0.562	5/16-18x5/16
SCIN 1	1	1.605	0.625	5/16-18x5/16
SCIN 1-1/16	1-1/16	1.730	0.625	5/16-18x5/16
SCIN 1-1/8	1-1/8	1.730	0.625	5/16-18x5/16
SCIN 1-3/16	1-3/16	1.975	0.687	3/8-16x3/8
SCIN 1-1/4	1-1/4	1.975	0.687	3/8-16x3/8
SCIN 1-5/16	1-5/16	2.100	0.687	3/8-16x3/8
SCIN 1-3/8	1-3/8	2.100	0.750	3/8-16x3/8
SCIN 1-7/16	1-7/16	2.225	0.750	3/8-16x3/8
SCIN 1-1/2	1-1/2	2.225	0.813	3/8-16x3/8
SCIN 1-9/16	1-9/16	2.480	0.813	3/8-16x3/8
SCIN 1-5/8	1-5/8	2.480	0.813	3/8-16x3/8
SCIN 1-11/16	1-11/16	2.480	0.813	3/8-16x3/8
SCIN 1-3/4	1-3/4	2.720	0.875	1/2-13x1/2
SCIN 1-13/16	1-13/16	2.720	0.875	1/2-13x1/2
SCIN 1-7/8	1-7/8	2.720	0.875	1/2-13x1/2
SCIN 1-15/16	1-15/16	2.975	0.875	1/2-13x1/2
SCIN 2	2	2.975	0.875	1/2-13x1/2
SCIN 2-1/8	2-1/8	2.975	0.875	1/2-13x1/2
SCIN 2-3/16	2-3/16	3.225	0.937	1/2-13x1/2
SCIN 2-1/4	2-1/4	3.225	0.937	1/2-13x1/2
SCIN 2-5/16	2-5/16	3.225	0.937	1/2-13x1/2
SCIN 2-3/8	2-3/8	3.225	0.937	1/2-13x1/2

Part No.	Inside Diameter d1	Outside Diameter d2	Width W	Set Screw d3
SCIN 2-7/16	2-7/16	3.470	1.000	1/2-13x1/2
SCIN 2-1/2	2-1/2	3.470	1.000	1/2-13x1/2
SCIN 2-9/16	2-9/16	3.720	1.125	1/2-13x9/16
SCIN 2-5/8	2-5/8	3.720	1.125	1/2-13x9/16
SCIN 2-11/16	2-11/16	3.970	1.125	1/2-13x5/8
SCIN 2-3/4	2-3/4	3.970	1.125	1/2-13x5/8
SCIN 2-13/16	2-13/16	3.970	1.125	1/2-13x5/8
SCIN 2-7/8	2-7/8	4.220	1.125	1/2-13x5/8
SCIN 2-15/16	2-15/16	4.220	1.125	1/2-13x5/8
SCIN 3	3	4.220	1.125	1/2-13x5/8
SCIN 3-3/16	3-3/16	4.220	1.125	1/2-13x5/8
SCIN 3-7/16	3-7/16	4.470	1.125	1/2-13x5/8
SCIN 3-15/16	3-15/16	4.970	1.125	1/2-13x5/8
SCIN 4-7/16	4-7/16	5.970	1.375	5/8-11x3/4
SCIN 4-15/16	4-15/16	6.400	13.75	5/8-11x3/4

Ordering Examples:

SCIN 1/8 = 1/8 inch zinc plated steel

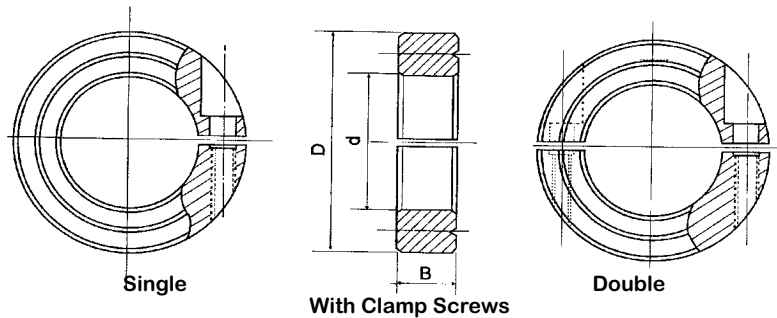
SCIN 1/8 SS = 1/8 inch stainless steel

Black oxide available by special order.



Inch Split Set Collars

Zinc Plated Steel and Stainless Steel



Part Number		Inside	Outside	Width B	Set Screw
Single	Double	Dia. d	Dia. D		
SSCIN 1/8	DSCIN 1/8	1/8	1/2	1/4	4-40x3/8
SSCIN 3/16	DSCIN 3/16	3/16	5/8	5/16	4-40x3/8
SSCIN 1/4	DSCIN 1/4	1/4	11/16	5/16	4-40x3/8
SSCIN 5/16	DSCIN 5/16	5/16	11/16	5/16	4-40x3/8
SSCIN 3/8	DSCIN 3/8	3/8	7/8	11/32	6-32x3/8
SSCIN 7/16	DSCIN 7/16	7/16	15/16	3/8	6-32x3/8
SSCIN 1/2	DSCIN 1/2	1/2	1-1/8	13/32	8-32x1/2
SSCIN 9/16	DSCIN 9/16	9/16	1-1/4	7/16	10-32x1/2
SSCIN 5/8	DSCIN 5/8	5/8	1-5/16	7/16	10-32x1/2
SSCIN 11/16	DSCIN 11/16	11/16	1-3/8	7/16	10-32x1/2
SSCIN 3/4	DSCIN 3/4	3/4	1-1/2	1/2	1/4-28x5/8
SSCIN 13/16	DSCIN 13/16	13/16	1-5/8	1/2	1/4-28x5/8
SSCIN 7/8	DSCIN 7/8	7/8	1-5/8	1/2	1/4-28x5/8
SSCIN 15/16	DSCIN 15/16	15/16	1-3/4	1/2	1/4-28x5/8
SSCIN 1	DSCIN 1	1	1-3/4	1/2	1/4-28x5/8
SSCIN 1-1/16	DSCIN 1-1/16	1-1/16	1-7/8	1/2	1/4-28x5/8
SSCIN 1-1/8	DSCIN 1-1/8	1-1/8	1-7/8	1/2	1/4-28x5/8
SSCIN 1-3/16	DSCIN 1-3/16	1-3/16	2-1/16	1/2	1/4-28x5/8
SSCIN 1-1/4	DSCIN 1-1/4	1-1/4	2-1/16	1/2	1/4-28x5/8
SSCIN 1-5/16	DSCIN 1-5/16	1-5/16	2-1/8	9/16	1/4-28x5/8
SSCIN 1-3/8	DSCIN 1-3/8	1-3/8	2-1/4	9/16	1/4-28x5/8
SSCIN 1-7/16	DSCIN 1-7/16	1-7/16	2-1/4	9/16	1/4-28x5/8
SSCIN 1-1/2	DSCIN 1-1/2	1-1/2	2-3/8	9/16	1/4-28x5/8
SSCIN 1-9/16	DSCIN 1-9/16	1-9/16	2-3/8	9/16	1/4-28x5/8
SSCIN 1-5/8	DSCIN 1-5/8	1-5/8	2-5/8	11/16	5/16-24x7/8
SSCIN 1-11/16	DSCIN 1-11/16	1-11/16	2-3/4	11/16	5/16-24x7/8
SSCIN 1-3/4	DSCIN 1-3/4	1-3/4	2-3/4	11/16	5/16-24x7/8
SSCIN 1-13/16	DSCIN 1-13/16	1-13/16	2-7/8	11/16	5/16-24x7/8
SSCIN 1-7/8	DSCIN 1-7/8	1-7/8	2-7/8	11/16	5/16-24x7/8
SSCIN 1-15/16	DSCIN 1-15/16	1-15/16	3	11/16	5/16-24x7/8
SSCIN 2	DSCIN 2	2	3	11/16	5/16-24x7/8
SSCIN 2-1/16	DSCIN 2-1/16	2-1/16	3-1/8	3/4	5/16-24x7/8
SSCIN 2-1/8	DSCIN 2-1/8	2-1/8	3-1/4	3/4	5/16-24x7/8
SSCIN 2-3/16	DSCIN 2-3/16	2-3/16	3-1/4	3/4	5/16-24x7/8
SSCIN 2-1/4	DSCIN 2-1/4	2-1/4	3-1/4	3/4	5/16-24x7/8
SSCIN 2-5/16	DSCIN 2-5/16	2-5/16	3-3/8	3/4	5/16-24x7/8

Part Number		Inside	Outside	Width B	Set Screw
Single	Double	Dia. d	Dia. D		
SSCIN 2-3/8	DSCIN 2-3/8	2-3/8	3-1/2	3/4	5/16-24x7/8
SSCIN 2-7/16	DSCIN 2-7/16	2-7/16	3-1/2	3/4	5/16-24x7/8
SSCIN 2-1/2	DSCIN 2-1/2	2-1/2	3-3/4	7/8	3/8-24x7/8
SSCIN 2-9/16	DSCIN 2-9/16	2-9/16	3-7/8	7/8	3/8-24x7/8
SSCIN 2-5/8	DSCIN 2-5/8	2-5/8	3-7/8	7/8	3/8-24x7/8
SSCIN 2-11/16	DSCIN 2-11/16	2-11/16	4	7/8	3/8-24x7/8
SSCIN 2-3/4	DSCIN 2-3/4	2-3/4	4	7/8	3/8-24x7/8
SSCIN 2-13/16	DSCIN 2-13/16	2-13/16	4-1/4	7/8	3/8-24x7/8
SSCIN 2-7/8	DSCIN 2-7/8	2-7/8	4-1/4	7/8	3/8-24x7/8
SSCIN 2-15/16	DSCIN 2-15/16	2-15/16	4-1/4	7/8	3/8-24x7/8
SSCIN 3	DSCIN 3	3	4-1/4	7/8	3/8-24x7/8
SSCIN 3-3/16	DSCIN 3-3/16	3-3/16	4-1/2	7/8	3/8-24x7/8
SSCIN 3-7/16	DSCIN 3-7/16	3-7/16	4-3/4	7/8	3/8-24x7/8
SSCIN 3-1/2	DSCIN 3-1/2	3-1/2	4-3/4	7/8	3/8-24x7/8
SSCIN 3-13/16	DSCIN 3-13/16	3-13/16	5-1/16	7/8	3/8-24x7/8
SSCIN 3-15/16	DSCIN 3-15/16	3-15/16	5-1/4	7/8	3/8-24x7/8

Ordering Examples:

SSCIN 1/8 = 1/8 inch zinc plated steel, single
 SSCIN 1/8 SS = 1/8 stainless steel, single

DSCIN 1/8 = 1/8 inch zinc plated steel, double
 DSCIN 1/8 SS = 1/8 stainless steel, double

Black oxide available by special order.