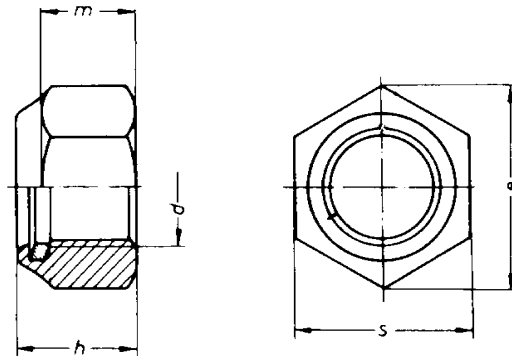


Hex Lock Nuts With Polyamid Inserts

DIN 985 ISO 7040



Part No.	Thread	e	h	m	s	Part No.	Thread	e	h	m	s
PL M 3	M 3	6.08	4	2.7	5.5	PL M12	M12	21.1	12	9	19
PL M 4	M 4	7.74	5	3.2	7	PL M14	M14	24.49	14	10	22
PL M 5	M 5	8.87	5	3.5	8	PL M16	M16	26.75	16	11	24
PL M 6	M 6	11.05	6	4.5	10	PL M18	M18	30.14	18.5	13	27
PL M 8	M 8	14.38	8	6	13	PL M20	M20	33.53	20	15	30
PL M10	M10	18.9	10	7	17	PL M24	M24	35.72	22	16	32

Note: White zinc plated

