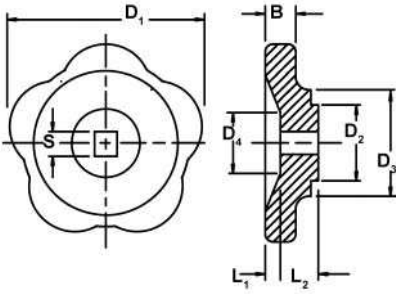


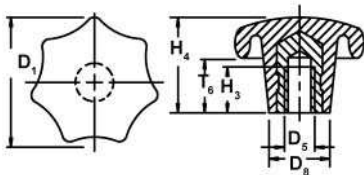
Machine Handles

HAND WHEEL (DIN 388) HARD PLASTIC



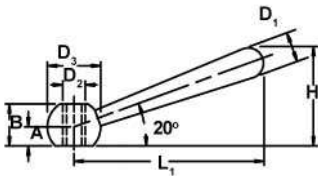
PART NO.	D ₁	S (H11)	B	D ₂	D ₃	D ₄	L ₁	L ₂
HW 6	50	6	10	22	30	22	12	6
HW 7	63	7	11	22	34	24	12	8
HW 8	80	8	12	28	38	28	14	8
HW 9	100	9	14	28	42	30	14	11
HW 10	125	10	16	34	48	32	16	12

STAR KNOB (DIN 6336) HARD PLASTIC WITH STEEL INSERT



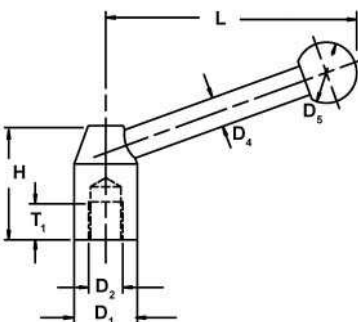
PART NO.	D ₁	D ₅	D ₆	H ₃	H ₄	T ₆
HSK M4	20	M 4	10	7	13	7.5
HSK M5	25	M 5	12	8	16	9.5
HSK M6	32	M 6	14	10	20	12
HSK M8	40	M 8	18	13	25	14
HSK M10X50	50	M 10	22	17	32	18
HSK M10X63	63	M 10	26	21	40	22
HSK M12X63	63	M 12	26	21	40	22
HSK M12X80	80	M 12	35	25	50	30

CLAMPING LEVER (DIN 99) STEEL



PART NO.	D ₁	D ₂	D ₃	L ₁	H	A	B
HCL M5	6	M 5	10	38	19	3	7.5
HCL M6	8	M 6	12	48	24	4	9.5
HCL M8	10	M 8	16	60	30.5	5	12.5
HCL M10	13	M 10	20	76	38	6	15
HCL M12	16	M 12	25	95	47	7.5	19
HCL M16	20	M 16	32	119	59.5	10	25
HCL M20	25	M 20	40	152	75.7	12.5	31
HCL M24	32	M 24	50	190	97	18	41

OPERATING LEVER, STEEL



PART NO.	D ₁	D ₂	D ₄	D ₅	H	L	T ₁
HOL M8	20	M 8	8	20	33	70	15
HOL M10	22	M 10	8	20	37	82	15
HOL M12X25	25	M 12	10	25	42	96	18
HOL M12X28	28	M 12	12	30	47	110	18
HOL M16X32	32	M 16	12	32	52	124	23
HOL M16X36	36	M 16	14	35	58	138	24
HOL M20X40	40	M 20	16	40	64	152	27
HOL M20X45	45	M 20	16	40	71	170	30